

STRUCTURE Silicon Monolithic Integrated Circuit
 PRODUCTS Video-Audio Interface for LCD TV

TYPE B D 7 6 2 0 K S 2

ABSOLUTE MAXIMUM RATING (T a = 2 5 °C)

Item	Symbol	Rating	Unit
Power Supply Voltage 1	V	6 . 0	V
Power Supply Voltage 2	V	- 8 . 0	V
Power Dissipation	Pd	※ 1 1 5 0 0	mW
Operating Temperature Range	Topr	- 2 5 ~ + 7 5	°C
Storage Temperature Range	Tstg	- 5 5 ~ + 1 5 0	°C

※ 1 When absolute temperature exceeds Ta=25°C, rated value is reduced by 12mW/°C

OPERATING RANGE

Item	Symbol	Limit	Unit
Supply Voltage 1	DVVCC, AVCC	4 . 7 5 ~ 5 . 2 5	V
Supply Voltage 2	DVGND, AGND	- 6 . 5 ~ - 7 . 5	V

- ※ This product is not designed for protection against radioactive rays.
- ※ DVVCC · AVCC should use the same power source.
- ※ Improper operation will result if the input and/or output terminal is connected either to the supply Lines or the surface connection terminal and also when insufficient power is supplied to the IC.
- ※ I²C BUS is compatible Version2.0 (first mode 400kbit/s) .

FUNCTION

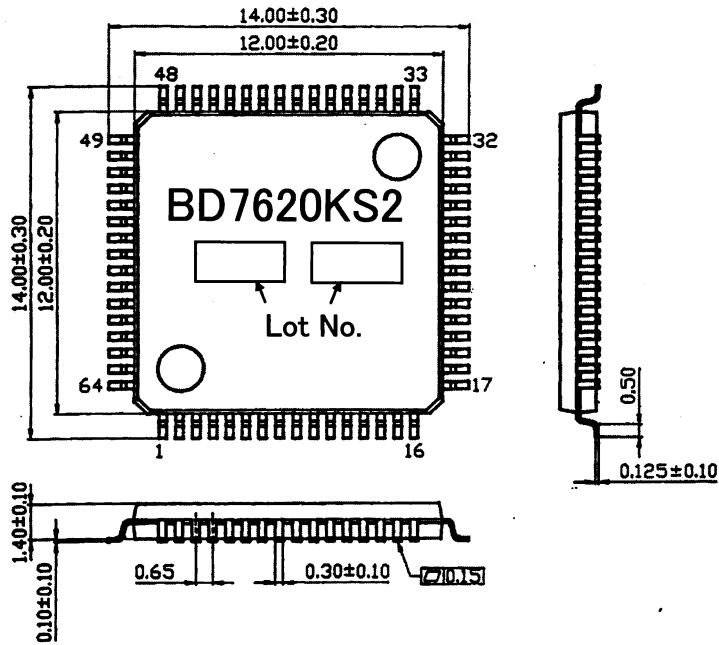
- Built-in 6 input Video switch, 3-input Y switch and 3-input C switch
- Input terminal (3ch) of the S1/S2 standard suitability
- Optional 75Ω driver output using external Tr
- Built-in path selector outside LPF
- Attaching HiZ control of video output (YVOUT2)
- Built-in gain adjuster of Video/Audio (0dB/6dB)
- I2C-BUS controlled
(Protection diode is included on both sides of VCC, GND to the SCL, SDA terminal.)
- Optional Slave address modification (90H/92H)
- Internal MUTE function
- Built-in 7-input Audio selector (Lch, Rch)
- Internal changeable circuit (Audio input and output)
- Internal reversible circuit (Audio Lch↔Rch)
- Internal 2 outputs for external control port (open collector)

Application example

The application circuit is recommended for use. Make sure to confirm the adequacy of the characteristics. When using the circuit with changes to the external circuit constants, make sure to leave an adequate margin for the external components including static and transitional characteristics as well as dispersion of the IC. Note that ROHM cannot provide adequate confirmation of patents.

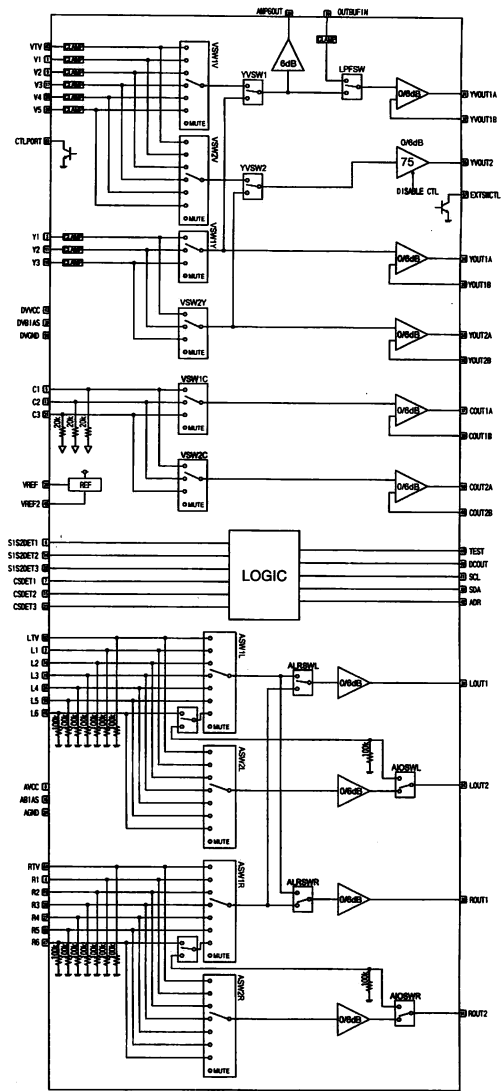
The product described in this specification is designed to be used with ordinary electronic equipment or devices (such as audio-visual equipment, office-automation equipment, communications devices, electrical appliances, and electronic toys). Should you intend to use this product with equipment or devices which require an extremely high level of reliability and the malfunction of which would directly endanger human life (such as medical instruments, transportation equipment, aerospace machinery, nuclear-reactor controllers, fuel controllers and other safety devices), please be sure to consult with our sales representative in advance.

ROHM assumes no responsibility for use of any circuits described herein, no license under any patent or other right, and makes no representations that the circuits are free from patent infringement.



(UNIT :mm)

Fig—1 PACKAGE
(SQFP—T64)



Fig—2 BLOCK DIAGRAM

PIN ASSINGMENT

PIN NO.	PIN NAME	PIN NO.	PIN NAME	PIN NO.	PIN NAME	PIN NO.	PIN NAME
1	V1	17	V3	33	LOUT1	49	COUT2B
2	L1	18	L3	34	YOUT1A	50	COUT2A
3	Y1	19	Y3	35	YOUT1B	51	ROUT2
4	R1	20	R3	36	ROUT1	52	YOUT2B
5	C1	21	C3	37	COUT1A	53	YOUT2A
6	S1S2DET1	22	S1S2DET3	38	COUT1B	54	LOUT2
7	CSDET1	23	CSDET3	39	DVBIAS	55	YVOUT2
8	AVCC	24	AGND	40	SDA	56	DVGND
9	V2	25	L4	41	SCL	57	EXTSWCTL
10	L2	26	V4	42	ADR	58	L5
11	Y2	27	R4	43	DVVCC	59	V5
12	R2	28	VREF	44	TEST	60	R5
13	C2	29	AMP6OUT	45	L6	61	CTLPORT
14	S1S2DET2	30	OUTBUF IN	46	VREF2	62	LTV
15	CSDET2	31	YVOUT1A	47	R6	63	VTV
16	ABIAS	32	YVOUT1B	48	DCOUT	64	RTV

ELECTRICAL CHARACTERISTICS (Ta=25°C, DVVCC, AVCC=5.0V, DVGND, AGND=-7.0V unless otherwise specified)

Item	Symbol	Limit			Unit	Conditions
		MIN.	TYP.	MAX.		
<All Circuits>						
VCC Circuit Current	Ivcc	38	63	88	mA	No Signal
VEE Circuit Current	Ivee	-88	-63	-38	mA	No Signal
<VIDEO Part>						
Y/V OUT1 0dB Voltage Gain	Gv02	-0.7	-0.2	0.3	dB	Vin=1.0Vpp, f=100kHz
Y/V OUT1 6dB Voltage Gain	G62	5.5	6.0	6.5	dB	Vin=1.0Vpp, f=100kHz
Y/V OUT2 0dB Voltage Gain	Gv55	-0.7	-0.2	0.3	dB	Vin=1.0Vpp, f=100kHz
Y/V OUT2 6dB Voltage Gain	G655	5.5	6.0	6.5	dB	Vin=1.0Vpp, f=100kHz
Y OUT1 0dB Voltage Gain	Gv025	-0.7	-0.2	0.3	dB	Vin=1.0Vpp, f=100kHz
Y OUT1 6dB Voltage Gain	G625	5.5	6.0	6.5	dB	Vin=1.0Vpp, f=100kHz
Y OUT2 0dB Voltage Gain	Gv52	-0.7	-0.2	0.3	dB	Vin=1.0Vpp, f=100kHz
Y OUT2 6dB Voltage Gain	G652	5.5	6.0	6.5	dB	Vin=1.0Vpp, f=100kHz
C OUT1 0dB Voltage Gain	Gv28	-0.7	-0.2	0.3	dB	Vin=1.0Vpp, f=100kHz
C OUT1 6dB Voltage Gain	G628	5.5	6.0	6.5	dB	Vin=1.0Vpp, f=100kHz
C OUT2 0dB Voltage Gain	Gv49	-0.7	-0.2	0.3	dB	Vin=1.0Vpp, f=100kHz
C OUT2 6dB Voltage Gain	G649	5.5	6.0	6.5	dB	Vin=1.0Vpp, f=100kHz
Channel Differential Gain	Gd	-0.5	0.0	0.5	dB	Vin=1.0Vpp, f=100kHz
Y/V OUT1 0dB Maximum Output Level	Vv022	2.6	2.8	—	Vp-p	Vin: THD=1.0% f=10kHz
Y/V OUT1 6dB Maximum Output Level	Vv62	2.6	2.8	—	Vp-p	Vin: THD=1.0% f=10kHz
Y/V OUT2 0dB Maximum Output Level	Vv55	2.5	2.7	—	Vp-p	Vin: THD=1.0% f=10kHz
Y/V OUT2 6dB Maximum Output Level	Vv655	2.5	2.7	—	Vp-p	Vin: THD=1.0% f=10kHz
Y OUT1 0dB Maximum Output Level	Vv025	2.6	2.8	—	Vp-p	Vin: THD=1.0% f=10kHz
Y OUT1 6dB Maximum Output Level	Vv625	2.6	2.8	—	Vp-p	Vin: THD=1.0% f=10kHz
Y OUT2 0dB Maximum Output Level	Vv52	2.6	2.8	—	Vp-p	Vin: THD=1.0% f=10kHz
Y OUT2 6dB Maximum Output Level	Vv652	2.6	2.8	—	Vp-p	Vin: THD=1.0% f=10kHz
C OUT1 0dB Maximum Output Level	Vv028	2.8	3.0	—	Vp-p	Vin: THD=1.0% f=10kHz
C OUT1 6dB Maximum Output Level	Vv628	2.8	3.0	—	Vp-p	Vin: THD=1.0% f=10kHz
C OUT2 0dB Maximum Output Level	Vv049	2.8	3.0	—	Vp-p	Vin: THD=1.0% f=10kHz
C OUT2 6dB Maximum Output Level	Vv649	2.8	3.0	—	Vp-p	Vin: THD=1.0% f=10kHz
Y/V OUT1 0dB Frequency Characteristic	Fv02	-2.0	0	2.0	dB	Vin=1.0Vpp, f=7M/100kHz
Y/V OUT1 6dB Frequency Characteristic	F62	-2.0	0	2.0	dB	Vin=1.0Vpp, f=7M/100kHz
Y/V OUT2 0dB Frequency Characteristic	Fv55	-2.0	0	2.0	dB	Vin=1.0Vpp, f=7M/100kHz
Y/V OUT2 6dB Frequency Characteristic	F655	-2.0	0	2.0	dB	Vin=1.0Vpp, f=7M/100kHz
Y OUT1 0dB Frequency Characteristic	Fv025	-2.0	0	2.0	dB	Vin=1.0Vpp, f=7M/100kHz
Y OUT1 6dB Frequency Characteristic	F625	-2.0	0	2.0	dB	Vin=1.0Vpp, f=7M/100kHz
Y OUT2 0dB Frequency Characteristic	Fv52	-2.0	0	2.0	dB	Vin=1.0Vpp, f=7M/100kHz
Y OUT2 6dB Frequency Characteristic	F652	-2.0	0	2.0	dB	Vin=1.0Vpp, f=7M/100kHz
C OUT1 0dB Frequency Characteristic	Fv028	-2.0	0	2.0	dB	Vin=1.0Vpp, f=7M/100kHz
C OUT1 6dB Frequency Characteristic	F628	-2.0	0	2.0	dB	Vin=1.0Vpp, f=7M/100kHz
C OUT2 0dB Frequency Characteristic	Fv049	-2.0	0	2.0	dB	Vin=1.0Vpp, f=7M/100kHz
C OUT2 6dB Frequency Characteristic	F649	-2.0	0	2.0	dB	Vin=1.0Vpp, f=7M/100kHz
Y/V OUT1 MUTE Attenuation	Mv02	—	-60	-55	dB	Vin=1.0Vpp, f=4.43MHz 0dB
Y/V OUT2 MUTE Attenuation	Mv55	—	-60	-55	dB	Vin=1.0Vpp, f=4.43MHz 0dB
Y OUT1 MUTE Attenuation	Mv025	—	-60	-55	dB	Vin=1.0Vpp, f=4.43MHz 0dB
Y OUT2 MUTE Attenuation	Mv52	—	-60	-55	dB	Vin=1.0Vpp, f=4.43MHz 0dB
C OUT1 MUTE Attenuation	Mv028	—	-60	-55	dB	Vin=1.0Vpp, f=4.43MHz 0dB
C OUT2 MUTE Attenuation	Mv049	—	-60	-55	dB	Vin=1.0Vpp, f=4.43MHz 0dB
Y/V OUT Channel Crosstalk	CvYv0	—	-60	-55	dB	Vin=1.0Vpp, f=4.43MHz, AMP0dB
Y OUT Channel Crosstalk	CvY0	—	-60	-55	dB	Vin=1.0Vpp, f=4.43MHz, AMP0dB
C OUT Channel Crosstalk	CvC0	—	-60	-55	dB	Vin=1.0Vpp, f=4.43MHz, AMP0dB
Y/V, V, C OUT Channel Crosstalk	CvYvC0	—	-60	-55	dB	Vin=1.0Vpp, f=4.43MHz, AMP0dB
VSW1V Switch Crosstalk	CvT2	—	-60	-55	dB	Vin=1.0Vpp, f=4.43MHz, AMP0dB
VSW2V Switch Crosstalk	CvT5	—	-60	-55	dB	Vin=1.0Vpp, f=4.43MHz, AMP0dB
VSW1Y Switch Crosstalk	CvT35	—	-60	-55	dB	Vin=1.0Vpp, f=4.43MHz, AMP0dB
VSW2Y Switch Crosstalk	CvT52	—	-60	-55	dB	Vin=1.0Vpp, f=4.43MHz, AMP0dB
VSW1C Switch Crosstalk	CvT38	—	-60	-55	dB	Vin=1.0Vpp, f=4.43MHz, AMP0dB
VSW2C Switch Crosstalk	CvT49	—	-60	-55	dB	Vin=1.0Vpp, f=4.43MHz, AMP0dB
YVSW1 Switch Crosstalk	CvT32v	—	-60	-55	dB	Vin=1.0Vpp, f=4.43MHz, AMP0dB
YVSW2 Switch Crosstalk	CvT55v	—	-60	-55	dB	Vin=1.0Vpp, f=4.43MHz, AMP0dB
LPSW Switch Crosstalk	CvT32F	—	-60	-55	dB	Vin=1.0Vpp, f=4.43MHz, AMP0dB
<AUDIO Part>						
L OUT1 Frequency Characteristic	F23	-3.0	0.0	3.0	dB	Vin=1.0Vpp, f=50kHz/1k
R OUT1 Frequency Characteristic	F36	-3.0	0.0	3.0	dB	Vin=1.0Vpp, f=50kHz/1k
L OUT2 Frequency Characteristic	F54	-3.0	0.0	3.0	dB	Vin=1.0Vpp, f=50kHz/1k
R OUT2 Frequency Characteristic	F51	-3.0	0.0	3.0	dB	Vin=1.0Vpp, f=50kHz/1k
L OUT1 0dB Voltage Gain	Gv03	-1.0	0	1.0	dB	Vin=1.0Vpp, f=1kHz
L OUT1 6dB Voltage Gain	G63	5.0	6.0	7.0	dB	Vin=1.0Vpp, f=1kHz
R OUT1 0dB Voltage Gain	Gv06	-1.0	0	1.0	dB	Vin=1.0Vpp, f=1kHz
R OUT1 6dB Voltage Gain	G66	5.0	6.0	7.0	dB	Vin=1.0Vpp, f=1kHz
L OUT2 0dB Voltage Gain	Gv54	-1.0	0	1.0	dB	Vin=1.0Vpp, f=1kHz
L OUT2 6dB Voltage Gain	G654	5.0	6.0	7.0	dB	Vin=1.0Vpp, f=1kHz
R OUT2 0dB Voltage Gain	Gv51	-1.0	0	1.0	dB	Vin=1.0Vpp, f=1kHz
R OUT2 6dB Voltage Gain	G651	5.0	6.0	7.0	dB	Vin=1.0Vpp, f=1kHz
L OUT1 Total Harmonic Distortion	THD033	—	0.003	0.1	%	Vin=2.2Vpp, f=1kHz, 0dB ※1
R OUT1 Total Harmonic Distortion	THD036	—	0.003	0.1	%	Vin=2.2Vpp, f=1kHz, 0dB ※1
L OUT2 Total Harmonic Distortion	THD054	—	0.003	0.1	%	Vin=2.2Vpp, f=1kHz, 0dB ※1
R OUT2 Total Harmonic Distortion	THD051	—	0.003	0.1	%	Vin=2.2Vpp, f=1kHz, 0dB ※1
L OUT1 Input D Range	THDR33	2.8	3.0	—	Vrms	f=1kHz, 0dB, Maximum value of Distortion<0.3%
R OUT1 Input D Range	THDR36	2.8	3.0	—	Vrms	f=1kHz, 0dB, Maximum value of Distortion<0.3%
L OUT2 Input D Range	THDR54	2.8	3.0	—	Vrms	f=1kHz, 0dB, Maximum value of Distortion<0.3%
R OUT2 Input D Range	THDR51	2.8	3.0	—	Vrms	f=1kHz, 0dB, Maximum value of Distortion<0.3%
L-R OUT1 Channel Crosstalk	CvLR01	—	-90	-80	dB	Vin=1.0Vpp, f=1kHz, 0dB
L-R OUT2 Channel Crosstalk	CvLR02	—	-90	-80	dB	Vin=1.0Vpp, f=1kHz, 0dB
R, R Ratio	PSR	—	-85	-45	dB	※2
DC Offset	Vos	-30	—	30	mV	Offset voltage between in and output
Remain Noise	N	0	20	100	μVrms	※1
<ADR>						
Input Voltage H	VH42	2.0	—	Vcc	V	
Input Voltage L	VL42	0.0	—	1.0	V	
Input Impedance	Zi42	65	100	135	kΩ	Pull down resistance

Item	Symbol	I limit			Unit	Conditions
		MIN.	TYP.	MAX.		
<SCL, SDA>						
Input Voltage H	V _{HIIC}	2.0	—	V _{CC}	V	
Input Voltage L	V _{LIIC}	0.0	—	1.0	V	
Input Bias Current	I _{BIIC}	0	-1	-10	mA	
<I2C-BUS Control>						
S1/S2 DET Detection Level H	V _{DSSH}	3.4	—	V _{CC}	V	
S1/S2 DET Detection Level M	V _{DSSM}	1.3	1.9	2.5	V	
S1/S2 DET Detection Level L	V _{DSSL}	0.0	—	0.7	V	
C/S DET Detection Level H	V _{DCSH}	3.5	—	V _{CC}	V	
C/S DET Detection Level L	V _{DCSL}	0	—	2.5	V	
C/S DET Input Impedance	Z _{ICS}	100	150	200	kΩ	Pull up resistance
<DC OUT>						
Output Voltage H	V _{O48H}	4.0	4.5	4.9	V	
Output Voltage M	V _{O48M}	1.8	2.1	2.4	V	
Output Voltage L	V _{O48L}	0	0.1	0.5	V	
Output Impedance	Z _{O48}	0.5	0.9	1.3	kΩ	Pull down resistance

※1 400Hz HPF+30kHz LPF ON

※2 Vin=0.3Vpp, f=100Hz, 30kHz LPF ON

■ Cautions on use

- (1) Numbers and data in entries are representative design values and are not guaranteed values of the items.
- (2) Although we are confident in recommending the sample application circuits, carefully their characteristics further when using them. When modifying externally attached component constants before use, determine them so that they have sufficient margins by taking into account variations in externally attached components and the Rohm LSI, not only for static characteristics but also including transient characteristics.
- (3) Absolute maximum ratings
If applied voltage, operating temperature range, or other absolute maximum ratings are exceeded, the LSI may be damaged. Do not apply voltages or temperatures that exceeded the absolute maximum ratings. If you think of a case in which absolute maximum ratings are exceeded, enforce fuses or other physical safety measures and investigate how not to apply the conditions under which absolute maximum ratings are exceeded to the LSI.
- (4) DVGND, AGND pins (-7V)
Make the DVGND, AGND pin voltage such that it is lowest voltage even when operating below it. Actually confirm that the voltage of each pin does not become a lower voltage than the DVGND, AGND pin, including transient phenomena.
GND pin (0V) is the DVBIAS, ABIAS pin.
- (5) Thermal design
Perform thermal design in which there are adequate margins by taking into account the allowable power dissipation in actual states of use. Within the limits of operating temperature (-25°C~+75°C), although basic circuit functional operation is guaranteed. Please take into consideration enough for a hindsight. In the case of a set design, please circulation of the air of IC circumference secured according to installation a fan and PCB layout, and please sufficient measure against heat dissipation.
- (6) Shorts between pins and misinstallation
When mounting the LSI on a board, pay adequate attention to orientation and placement discrepancies of the LSI. If it is misinstalled and the power is turned on, the LSI may be damaged. It also may be damaged if it is shorted by a foreign substance coming between pins of the LSI or between a pin and a power supply or a pin and a GND.
- (7) Operation in strong magnetic fields
Adequately evaluate use in a strong magnetic field, since there is a possibility of malfunction.
- (8) Supply voltage of operation
Although basic circuit function is guaranteed within the limits of supply voltage(1: 4.75V~5.25V, 2: -6.5V~-7.5V) of operation. Please be sure element and each parameter, when this device use.
- (9) Please lay out outside parts nearest IC, and set lines from output amplifier short.
- (10) Please lay out the coupling capacitor nearest IC and each pin.
- (11) VCC for this IC should use the same power source. And impedance should connect as well as possible for each VCC pin, for each GND pin.

Notes

- No technical content pages of this document may be reproduced in any form or transmitted by any means without prior permission of ROHM CO.,LTD.
- The contents described herein are subject to change without notice. The specifications for the product described in this document are for reference only. Upon actual use, therefore, please request that specifications to be separately delivered.
- Application circuit diagrams and circuit constants contained herein are shown as examples of standard use and operation. Please pay careful attention to the peripheral conditions when designing circuits and deciding upon circuit constants in the set.
- Any data, including, but not limited to application circuit diagrams information, described herein are intended only as illustrations of such devices and not as the specifications for such devices. ROHM CO.,LTD. disclaims any warranty that any use of such devices shall be free from infringement of any third party's intellectual property rights or other proprietary rights, and further, assumes no liability of whatsoever nature in the event of any such infringement, or arising from or connected with or related to the use of such devices.
- Upon the sale of any such devices, other than for buyer's right to use such devices itself, resell or otherwise dispose of the same, no express or implied right or license to practice or commercially exploit any intellectual property rights or other proprietary rights owned or controlled by
- ROHM CO., LTD. is granted to any such buyer.
- Products listed in this document are no antiradiation design.

The products listed in this document are designed to be used with ordinary electronic equipment or devices (such as audio visual equipment, office-automation equipment, communications devices, electrical appliances and electronic toys).

Should you intend to use these products with equipment or devices which require an extremely high level of reliability and the malfunction of which would directly endanger human life (such as medical instruments, transportation equipment, aerospace machinery, nuclear-reactor controllers, fuel controllers and other safety devices), please be sure to consult with our sales representative in advance.

About Export Control Order in Japan

Products described herein are the objects of controlled goods in Annex 1 (Item 16) of Export Trade Control Order in Japan.

In case of export from Japan, please confirm if it applies to "objective" criteria or an "informed" (by MITI clause) on the basis of "catch all controls for Non-Proliferation of Weapons of Mass Destruction.

Thank you for your accessing to ROHM product informations.
More detail product informations and catalogs are available,
please contact your nearest sales office.

Please contact our sales offices for details ;

U.S.A / San Diego	TEL : +1(858)625-3630	FAX : +1(858)625-3670
Atlanta	TEL : +1(770)754-5972	FAX : +1(770)754-0691
Dallas	TEL : +1(972)312-8818	FAX : +1(972)312-0330
Germany / Dusseldorf	TEL : +49(2154)9210	FAX : +49(2154)921400
United Kingdom / London	TEL : +44(1)908-282-666	FAX : +44(1)908-282-528
France / Paris	TEL : +33(0)1 56 97 30 60	FAX : +33(0) 1 56 97 30 80
China / Hong Kong	TEL : +852(2)740-6262	FAX : +852(2)375-8971
Shanghai	TEL : +86(21)6279-2727	FAX : +86(21)6247-2066
Dilian	TEL : +86(411)8230-8549	FAX : +86(411)8230-8537
Beijing	TEL : +86(10)8525-2483	FAX : +86(10)8525-2489
Taiwan / Taipei	TEL : +866(2)2500-6956	FAX : +866(2)2503-2869
Korea / Seoul	TEL : +82(2)8182-700	FAX : +82(2)8182-715
Singapore	TEL : +65-6332-2322	FAX : +65-6332-5662
Malaysia / Kuala Lumpur	TEL : +60(3)7958-8355	FAX : +60(3)7958-8377
Philippines / Manila	TEL : +63(2)807-6872	FAX : +63(2)809-1422
Thailand / Bangkok	TEL : +66(2)254-4890	FAX : +66(2)256-6334

Japan /
(Internal Sales)

Tokyo	2-1-1, Yaesu, Chuo-ku, Tokyo 104-0082	TEL : +81(3)5203-0321	FAX : +81(3)5203-0300
Yokohama	2-4-8, Shin Yokohama, Kohoku-ku, Yokohama, Kanagawa 222-8575	TEL : +81(45)476-2131	FAX : +81(45)476-2128
Nagoya	Dainagayo Building 9F 3-28-12, Meieki, Nakamura-ku, Nagoya, Aichi 450-0002	TEL : +81(52)581-8521	FAX : +81(52)561-2173
Kyoto	579-32 Higashi Shiokouji-cho, Karasuma Nishi-iru, Shiokoujidori, Shimogyo-ku, Kyoto 600-8216	TEL : +81(75)311-2121	FAX : +81(75)314-6559

(Contact address for overseas customers in Japan)

Yokohama	TEL : +81(45)476-9270	FAX : +81(045)476-9271
----------	-----------------------	------------------------