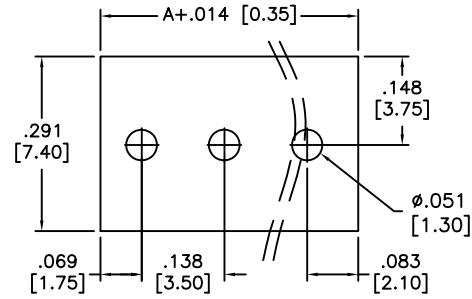


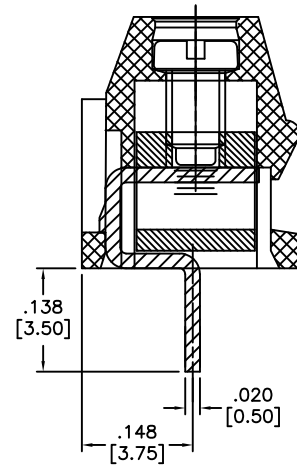
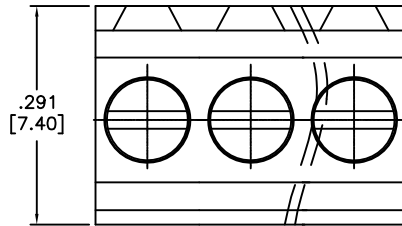
APPROVED: \_\_\_\_\_

DATE: \_\_\_\_\_ TITLE: \_\_\_\_\_

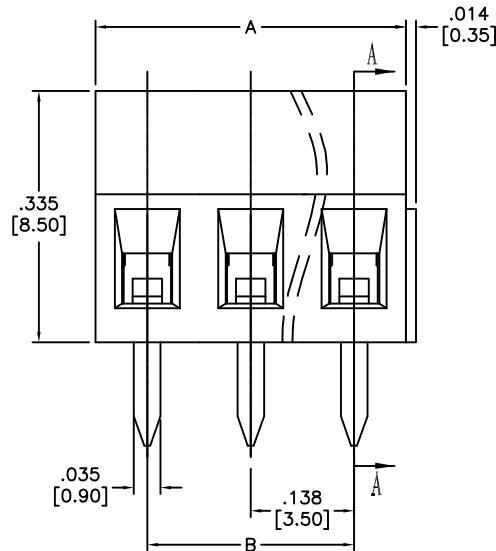
Rev	AWO #	Description	Date	Appr
-		RELEASED	6/27/13	
A		UPDATE SHAPE	10/27/14	AY/NP



RECOMMENDED PCB LAYOUT



SECTION A-A



**SPECIFICATIONS:**

**Material:**

Insulator: PA66, rated UL 94V-0

Insulator color: Green

Contact: Brass, Tin plated

Screw: Steel, M2/Zinc plated

Cage: Brass, Nickel plated

**Electrical:**

Voltage rated: 300 V

Current rated: 10 A

Contact resistance: 20 mΩ

Insulation resistance: 500 MΩ/ 500VDC

Withstanding voltage: 2000 VAC for 1 minute

**Mechanical:**

Torque: 0.2Nm (1.8 lb.in)

Wire Range: 28-16Awg 1.0mm<sup>2</sup>

**Environmental:**

Temperature range: -40°C to +105°C

Lead free, RoHS compliant.



Positions: 02 thru 24

A = .138 [3.50] x No. of Positions

B = .138 [3.50] x No. of Spaces

UNLESS OTHERWISE SPECIFIED  
ALL DIMENSIONS ARE MM [INCHES]  
TOLERANCES: EXCEPT AS NOTED

.X ± .10	∅X ± .10
.XX ± .020	∅XX ± .015
.XXX ± .015	∅XXX ± .010

**ADAM TECH**

909 Rahway Avenue, Union, NJ 07083  
Phone: 908-687-5000 Fax: 908-687-5710

TITLE  
**TERMINAL BLOCK, PCB, VERTICAL,  
.138" [3.50] PITCH**

APPROVALS		DATE
DRAWN	AY	6/27/13
CHECKED	NP	6/27/13
APPROVED		

SIZE <b>X</b>	PART NO. <b>EBWA-XX-A</b>	REV. <b>A</b>
REF: S00067C	SCALE: NTS	SHEET 1 OF 1