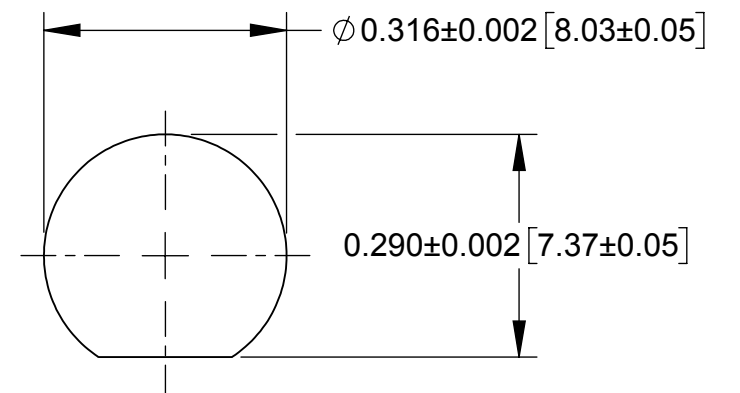
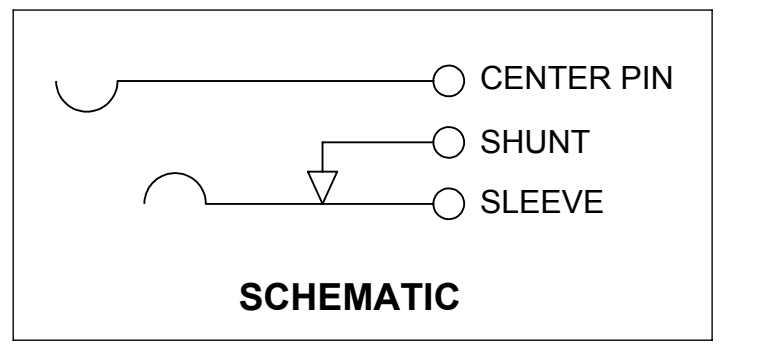
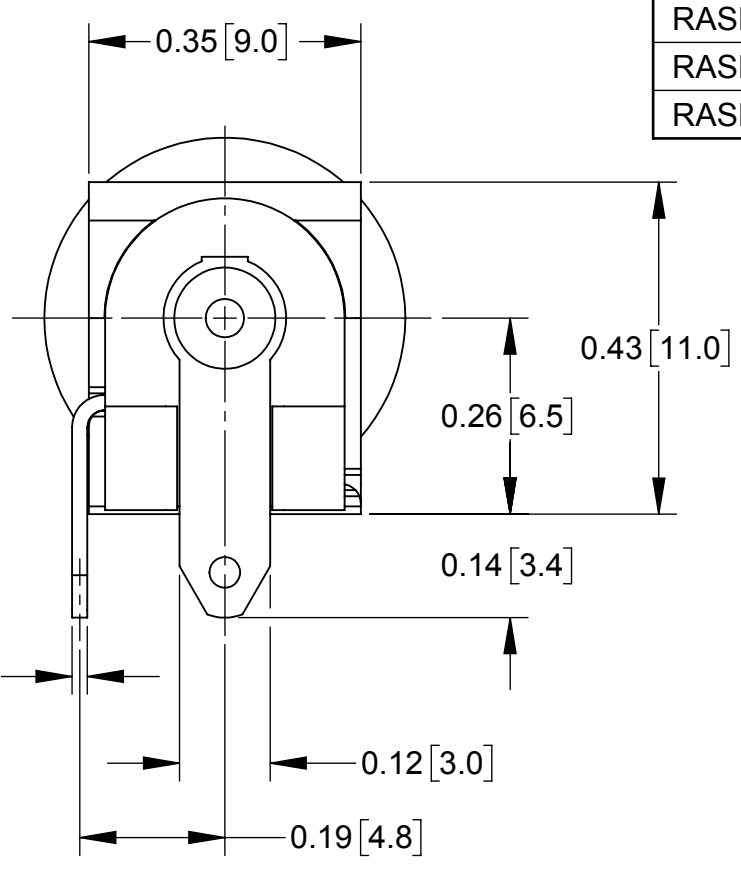
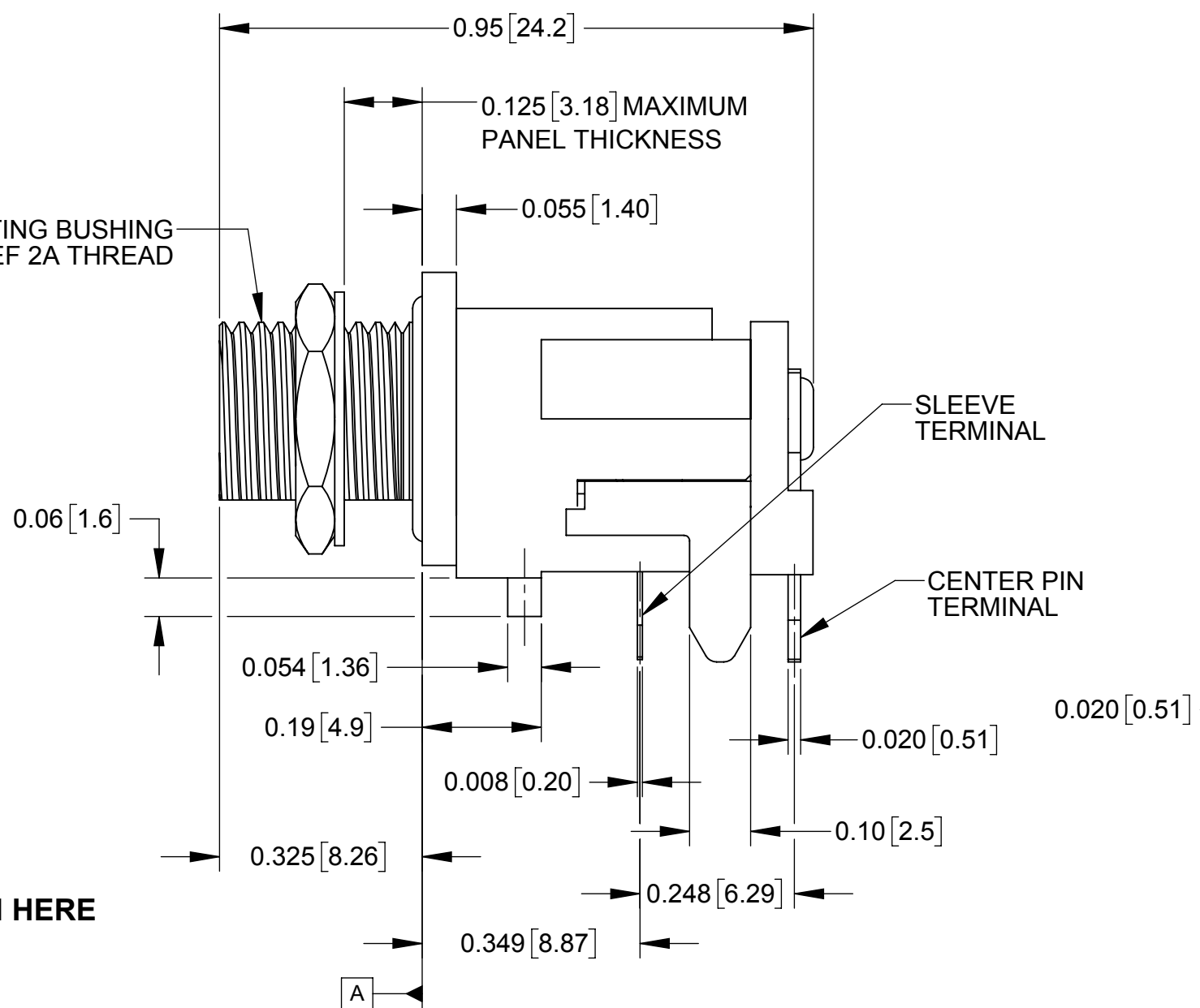
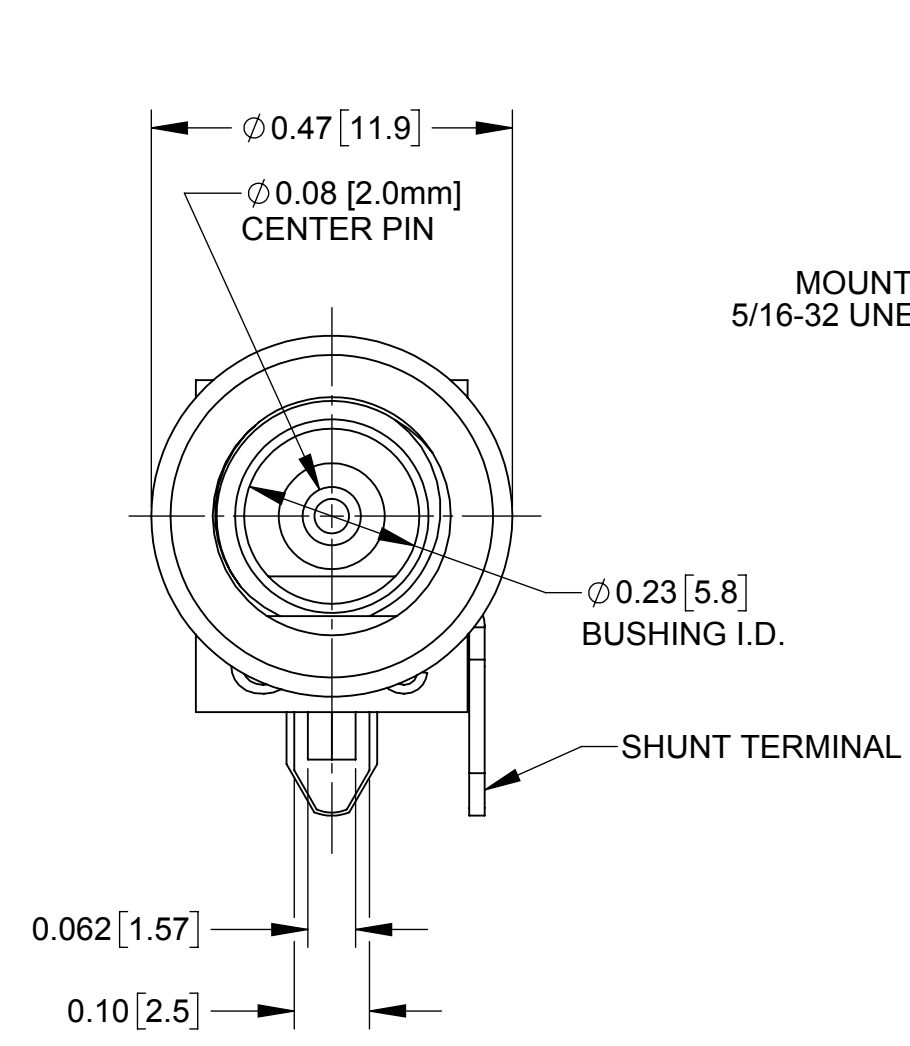
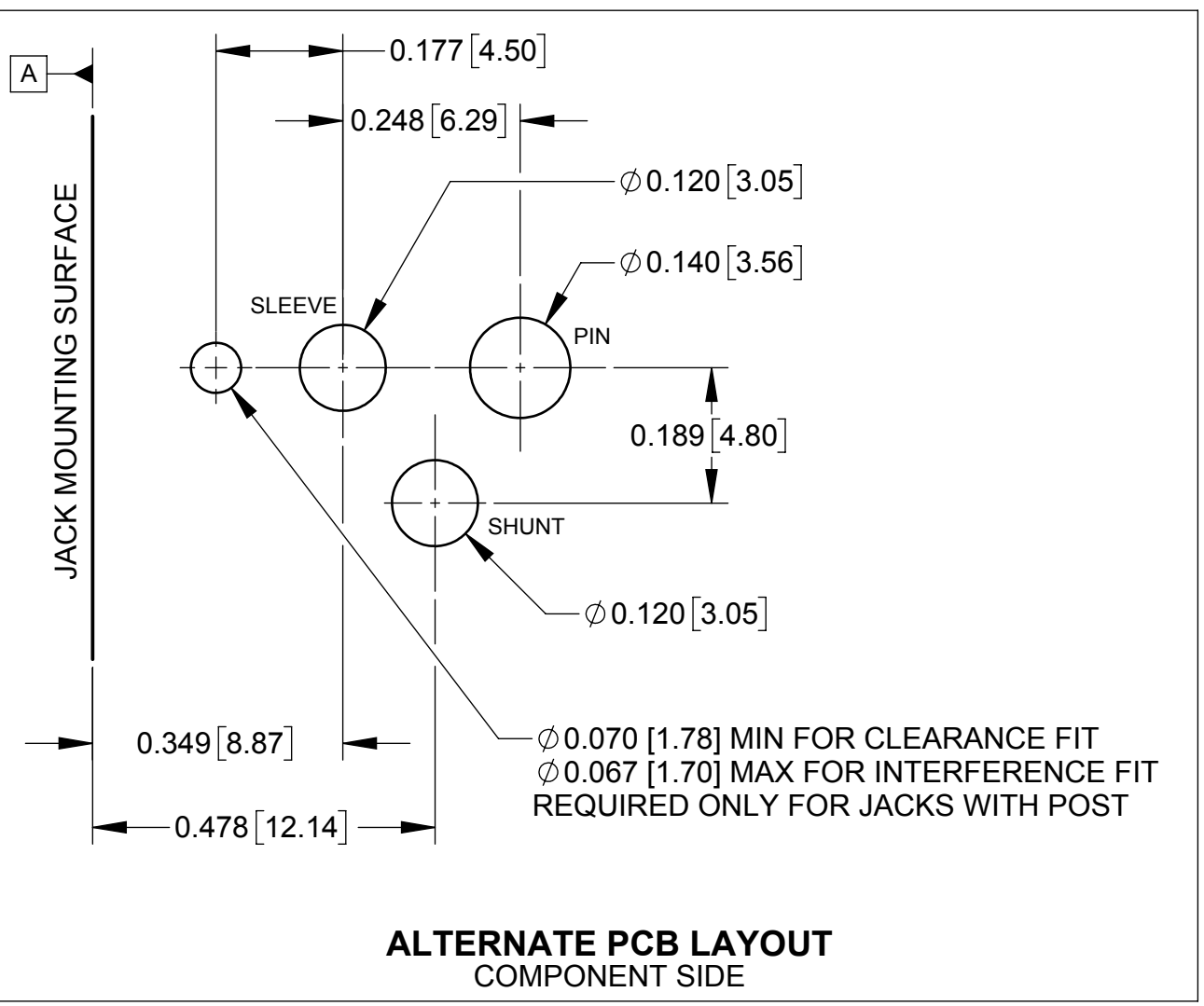


PART NUMBER	SEAL O-RING	PCB LOCATING POST	TERMINAL PLATING
RAPC10	NO	NO	SILVER
RAPC10S	YES		
RAPC10P	NO	YES	TIN
RAPC10PS	YES		
RASPC10	NO	NO	TIN
RASPC10S	YES	NO	
RASPC10P	NO	YES	
RASPC10PS	YES	YES	

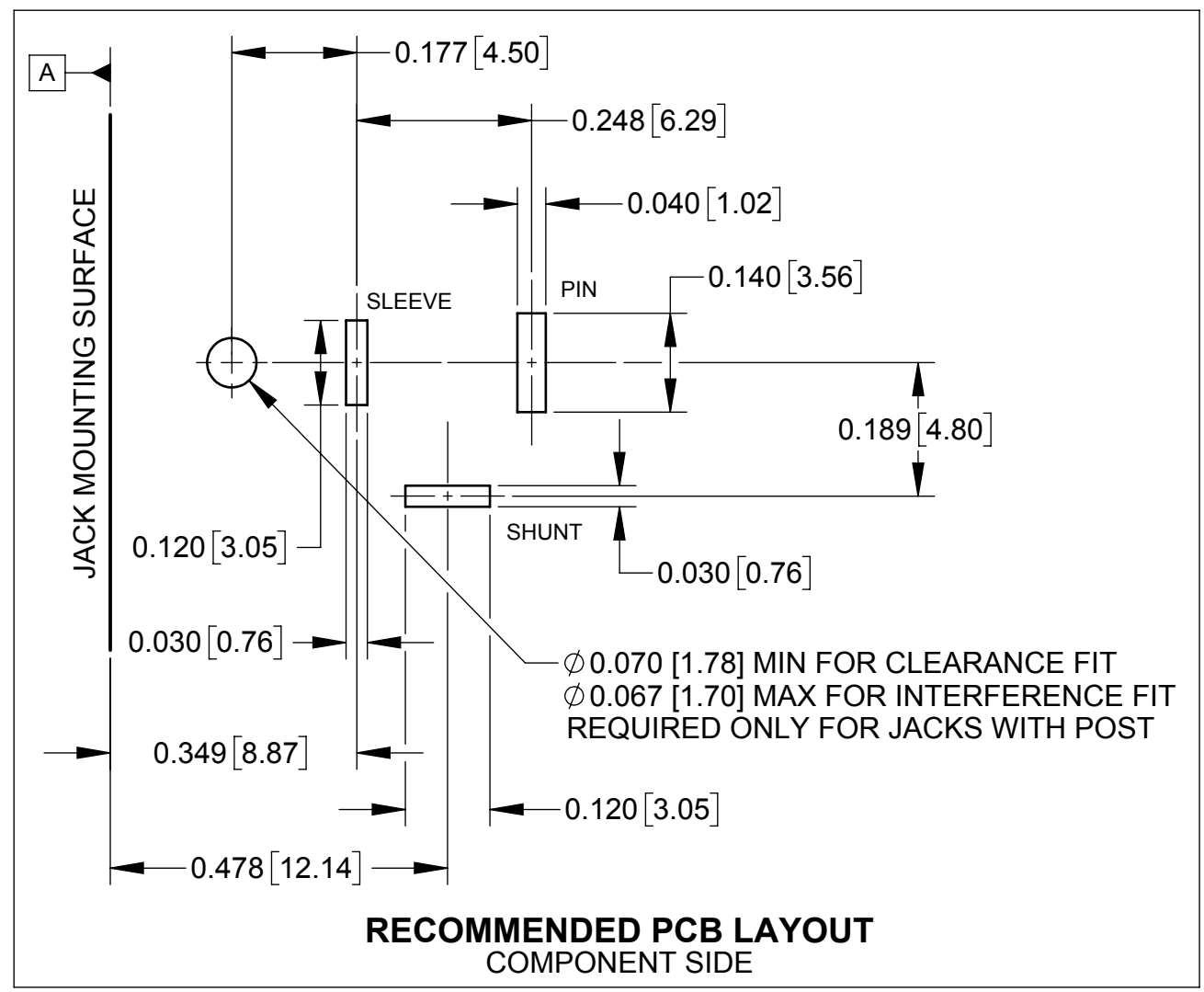


RAPC10PS SHOWN HERE

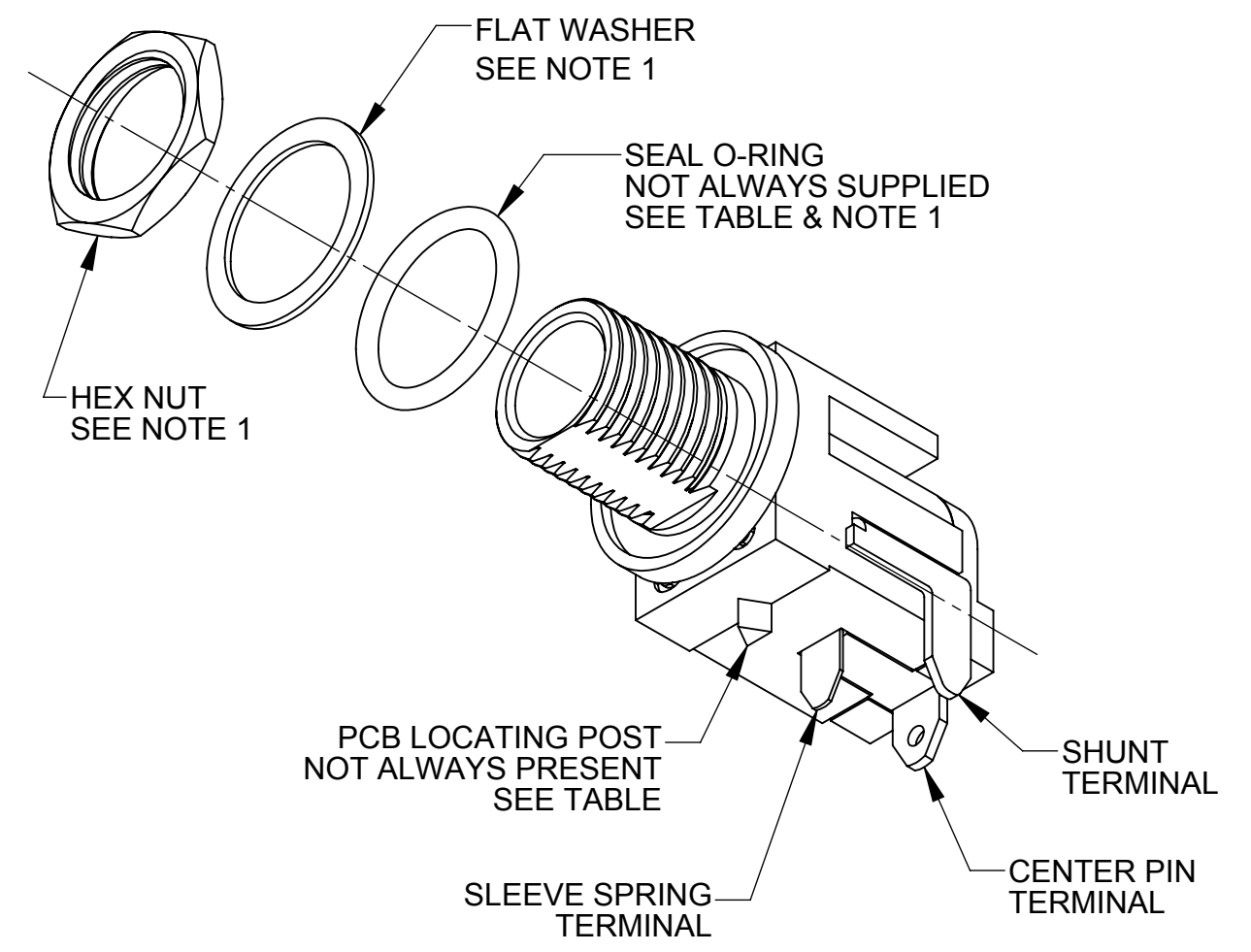
RECOMMENDED PANEL CUT-OUT



ALTERNATE PCB LAYOUT COMPONENT SIDE



RECOMMENDED PCB LAYOUT COMPONENT SIDE



- NOTES:
- HEX NUT, WASHER, AND O-RING (IF REQUIRED) SUPPLIED UNASSEMBLED.
 - MATERIAL:
HOUSING, COVER: THERMOPLASTIC, BLACK
MOUNTING BUSHING, HEX NUT: COPPER ALLOY, NICKEL PLATED
CENTER PIN: COPPER ALLOY, NICKEL PLATED
PIN AND SHUNT TERMINALS: COPPER ALLOY, SILVER OR TIN PLATED
SLEEVE SPRING TERMINAL: SPRING COPPER ALLOY, SILVER OR TIN PLATED
FLAT WASHER: STEEL, NICKEL PLATED
O-RING: ELASTOMER, BLACK
 - THESE PRODUCTS ARE RoHS COMPLIANT.

CUSTOMER DRAWING

UNLESS OTHERWISE SPECIFIED					THIS DRAWING DESCRIBES A DESIGN CONSIDERED PROPRIETARY IN NATURE, DEVELOPED AND MANUFACTURED BY SWITCHCRAFT INC. AND IS RELEASED ON A CONFIDENTIAL BASIS FOR IDENTIFICATION PURPOSES ONLY.				
1. ALL DIMENSIONS IN INCHES [mm]					SIZE	WIDTH	MULT	LBS/M	TEMPER
- TWO PLACE DECIMALS ±0.02 [0.5]					FINISH SPEC No.		MATERIAL SPEC No.		
- THREE PLACE DECIMALS ±0.005 [0.13]					FIRST USED ON		SCALE 4:1		
B	27785	10/05/16	PC	TJK	DATE DRAWN	BY	CHKD	APVD	Switchcraft®
A	27139	04/29/13	PC	TJK	02/16/12	PNK	PNK	SRC	
REVISIONS					NAME		PART No.		REV
DO NOT SCALE DRAWING					RA POWER JACKS, PC HIGH AMP, Ø0.08 [2.0mm] PIN, RoHS		RA_PC10 SERIES		B