

# TLE4205G

1-A DC Motor Driver

Datasheet

Rev. 1.1, 2015-01-15

Automotive Power

## 1-A DC Motor Driver Overview

### Features

- Max. driver current 1 A
- Integrated free-wheeling diodes
- Short-circuit proof to ground
- Inhibit
- ESD protected inputs
- Temperature range  $-40\text{ °C} \leq T_j \leq 150\text{ °C}$
- Green Product (RoHS compliant)
- AEC Qualified

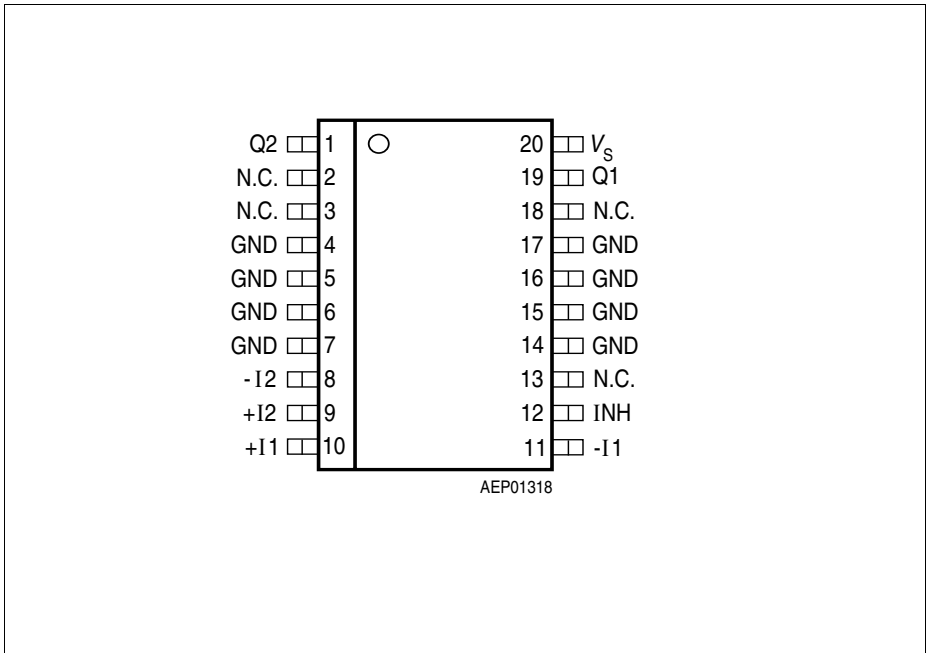


PG-DSO-20

Type	Marking	Package
TLE4205G	TLE4205G	PG-DSO-20

### Description

TLE 4205G is an integrated power full-bridge DC-motor driver for a wide temperature range, as required in automotive applications for example. The circuit contains two power comparators that can be combined to a full-bridge circuit. For inductive loads there are integrated free-wheeling diodes to  $+V_S$  and ground. The outputs are short-circuit proof up to 18 V supply voltage to ground and turn off when overtemperature occurs. This IC is especially suitable for headlight-beam adjustment in automobiles.



**Figure 1 Pin Configuration (top view)**

**Pin Definitions and Functions**

Pin No.	Symbol	Function
1	Q2	<b>Output 2 of channel 2;</b> push-pull B output with DC short-circuit protection to ground. Integrated free-wheeling diodes to ground and the supply voltage.
2	N.C.	Not connected
3	N.C.	Not connected
4-7	GND	Ground
8	– I2	<b>Inverting input channel 2;</b> to be wired according to general rules.
9	+ I2	<b>Non-inverting input channel 2;</b> to be wired according to general rules.
10	+ I1	<b>Non-inverting input channel 1;</b> see pin 9.
11	– I1	<b>Inverting input channel 1;</b> see pin 8.
12	INH	<b>Inhibit;</b> the IC is passive when this pin is open or connected to ground.
13	N.C.	Not connected
14-17	GND	Ground
18	N.C.	Not connected
19	Q1	Output Q1 of channel 1, see pin 1.
20	$V_s$	<b>Supply voltage <math>V_s</math>;</b> must be blocked with a ceramic capacitor of at least 100 nF directly on the pins of the IC.

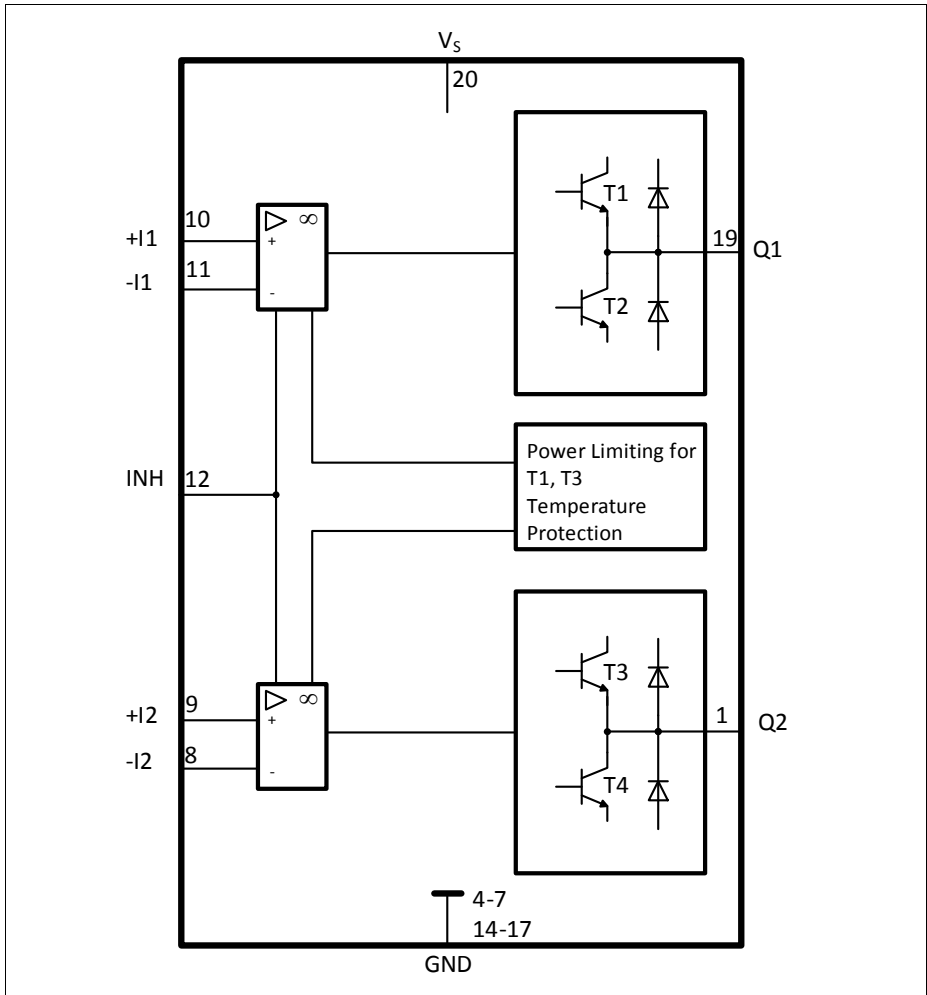


Figure 2 Block Diagram

### Circuit Description

The IC contains two amplifiers with typical open-loop gain of 80 dB at 500 Hz.

The input stages consist of PNP-differential amplifiers. This produces a common-mode input range of 0 V to nearly  $V_S$  and a maximum differential input voltage of  $V_S$ . The IC is guarded against ground shorts by an SOA-protective circuit. The output transistors are turned off if the chip temperature exceeds approx. 160 °C. The IC can be turned off by an inhibit input, which very much reduces current consumption.

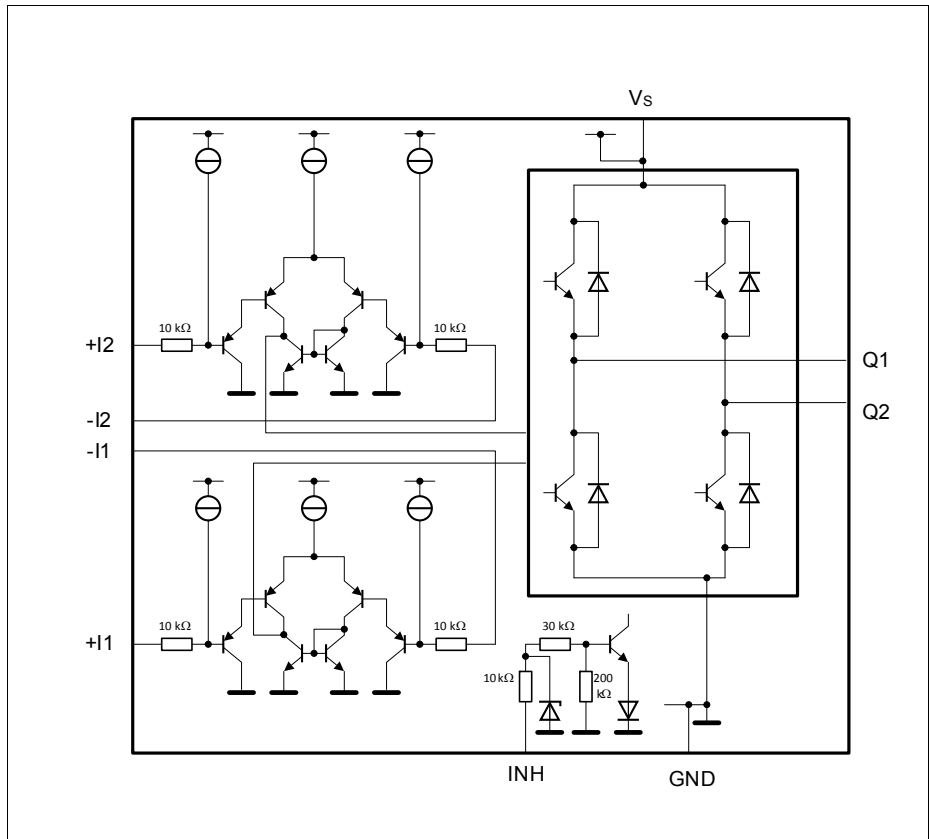


Figure 3 Circuit Diagram

**Absolute Maximum Ratings**
 $T_j = -40$  to  $150$  °C

Parameter	Symbol	Limit Values		Unit	Remarks
		min.	max.		
Supply voltage	$V_S$	- 0.3	45	V	-
Differential input voltage	$V_{ID}$	-	$\pm V_S$	V	$\Delta V_{8-9}$ or $\Delta V_{10-11}$
Output current	$I_Q$	- 1	1	A	-
Supply current	$I_S$	2.5	3	A	-
Ground current	$I_{GND}$	- 3	2.5	A	I2
Input voltage	$V_I$	- 15	$V_S$	V	$V_8; V_9; V_{10}; V_{11}$
Inhibit input	$V_{Inh}$	- 15	$V_S$	V	$V_{12}$
Junction temperature	$T_j$	-	150	°C	-
Storage temperature	$T_{stg}$	- 50	150	°C	-

**Operating Range**

Supply voltage	$V_S$	6	32	V	-
Case temperature	$T_C$	- 40	95	°C	$P_{Dmax} = 3$ W
Thermal resistance junction - ambient	$R_{thJA}$	-	65	K/W	
junction - case	$R_{thJC}$	-	20	K/W	

 Outputs pin 1 and pin 19 short-circuit proof to GND at  $V_S \leq 18$  V

**Characteristics**
 $6$  V <  $V_S$  <  $18$  V;  $-40$  °C <  $T_j$  <  $150$  °C

Parameter	Symbol	Limit Values			Unit	Test Condition
		min.	typ.	max.		

**General**

Open-circuit current consumption	$I_S$	-	10	30	mA	active, both outputs high
Open-circuit current consumption	$I_S$	-	10	100	μA	inhibit
Turn-ON dead time ref. to $V_{12\ OFF/ON}$	$t_{d\ ON}$	-	10	20	μs	$ I_{1,19}  < 1$ A
Turn-OFF dead time ref. to $V_{12\ OFF/ON}$	$t_{d\ OFF}$	-	10	20	μs	$ I_{1,19}  < 1$ A

**Characteristics (cont'd)**
 $6\text{ V} < V_S < 18\text{ V}; -40\text{ }^\circ\text{C} < T_j < 150\text{ }^\circ\text{C}$ 

Parameter	Symbol	Limit Values			Unit	Test Condition
		min.	typ.	max.		
Open-loop gain	$G_{VO}$	50	80	–	dB	$f = 500\text{ Hz}$

**Inputs**

Input zero voltage	$V_{I0}$	– 7.5	–	7.5	mV	$R_S = 10\text{ k}\Omega$ ;
Input-voltage drift	$\Delta V_{I0}/\Delta T$	–	20	30	$\mu\text{V/K}$	–
Input zero current	$I_{I0}$	– 75	–	75	mA	–
Input current	$I_I$	– 300	–	300	nA	–
Input-current drift	$\Delta I_I/\Delta T$	–	–	5	nA/K	–
Input common-mode range, positive	$V_{IC}$	–	–	$V_S - 2$	V	–
Input common-mode range, negative	$V_{IC}$	–	–	– 0.5	V	–
Power-supply rejection ratio	$PSSR$	–	–	200	$\mu\text{V/V}$	$R_S = 10\text{ k}\Omega$ ;
Common-mode rejection ratio	$CMRR$	70	80	–	dB	–



**Characteristics** (cont'd)

 $6\text{ V} < V_S < 18\text{ V}; -40\text{ }^\circ\text{C} < T_j < 150\text{ }^\circ\text{C}$ 

Parameter	Symbol	Limit Values			Unit	Test Condition
		min.	typ.	max.		

**Outputs**

Saturation voltage	$V_{\text{Sat U}}$	–	1.35	1.5	V	$I_Q = -0.6\text{ A}$
Saturation voltage	$V_{\text{Sat L}}$	–	0.8	1.2	V	$I_Q = 0.6\text{ A}$
Forward voltage of free-wheeling diode	$V_{\text{FU}}$	–	1	1.5	V	$I_F = 0.6\text{ A}$
Forward voltage of free-wheeling diode	$V_{\text{FL}}$	–	1	1.5	V	$I_F = 0.6\text{ A}$
Slew rate of $V_Q$	$dV_q/dt_r$	–	0.5	–	V/ $\mu\text{s}$	–

**Inhibit Input**

Switching threshold high	$V_{\text{IH}}$	2	–	–	V	–
Switching threshold low	$V_{\text{IL}}$	–	–	0.8	V	–
H-input current	$I_{\text{IH}}$	–	100	–	$\mu\text{A}$	$V_{12} = 5\text{ V}$
L-input current	$I_{\text{IH}}$	–	0	–	$\mu\text{A}$	$V_{12} = 0\text{ V}$

Note:  $V_{\text{Sat U}}$  = upper  
 $V_{\text{Sat L}}$  = lower

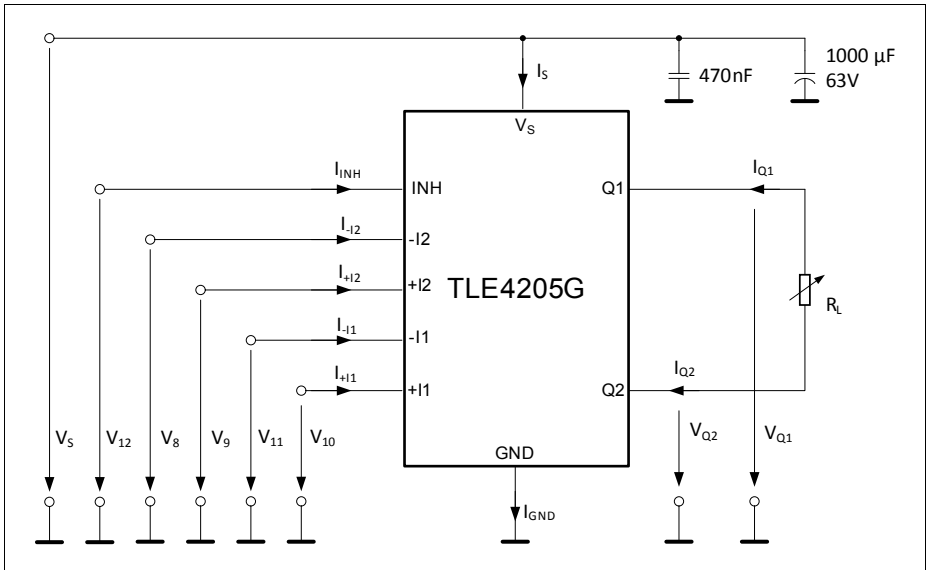
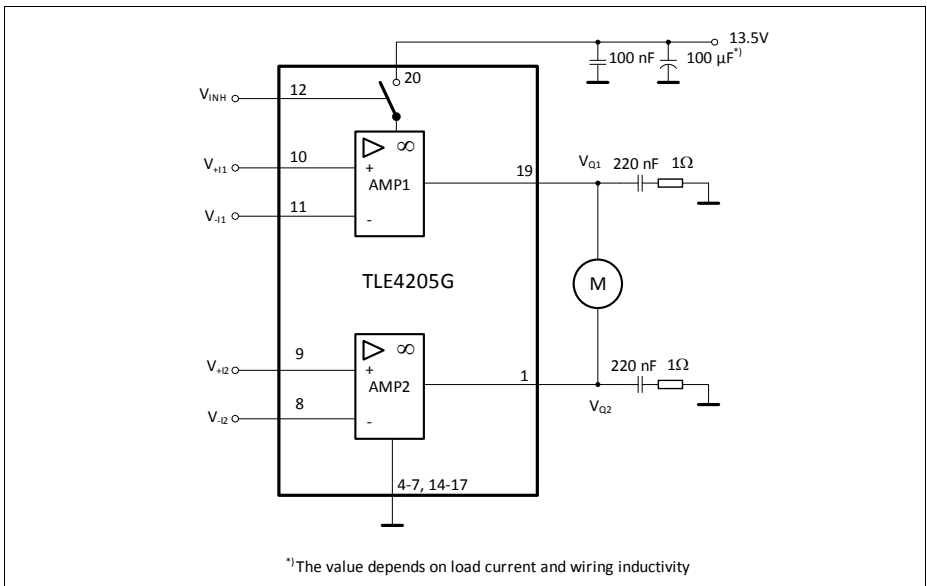


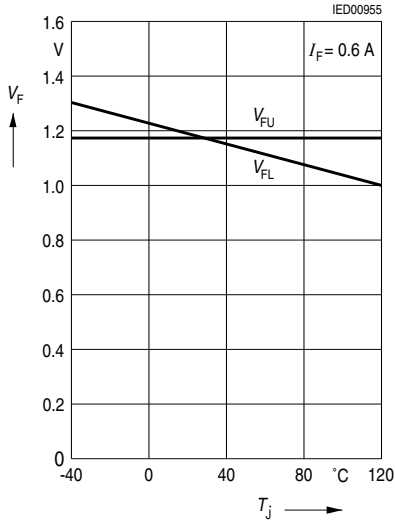
Figure 4 Test Circuit



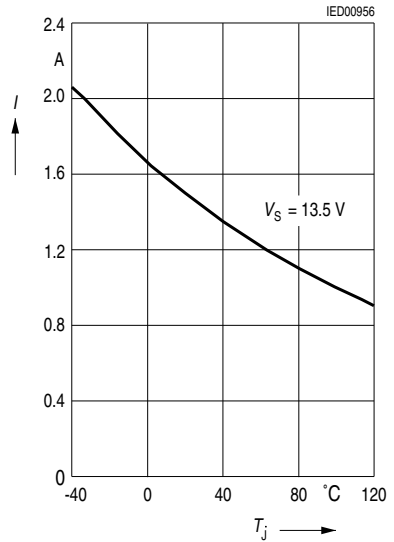
<sup>1)</sup>The value depends on load current and wiring inductivity

Figure 5 Application Circuit

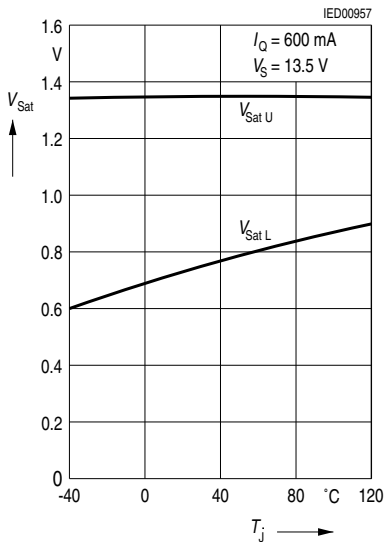
**Forward Voltage of the Free-Wheeling Diodes versus Junction Temperature**



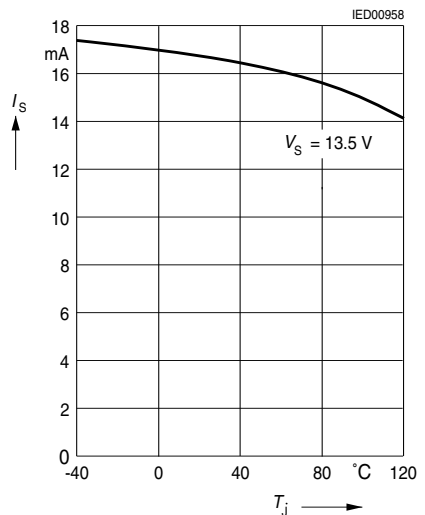
**Start Point of the SOA-Protection Circuit versus Junction Temperature**



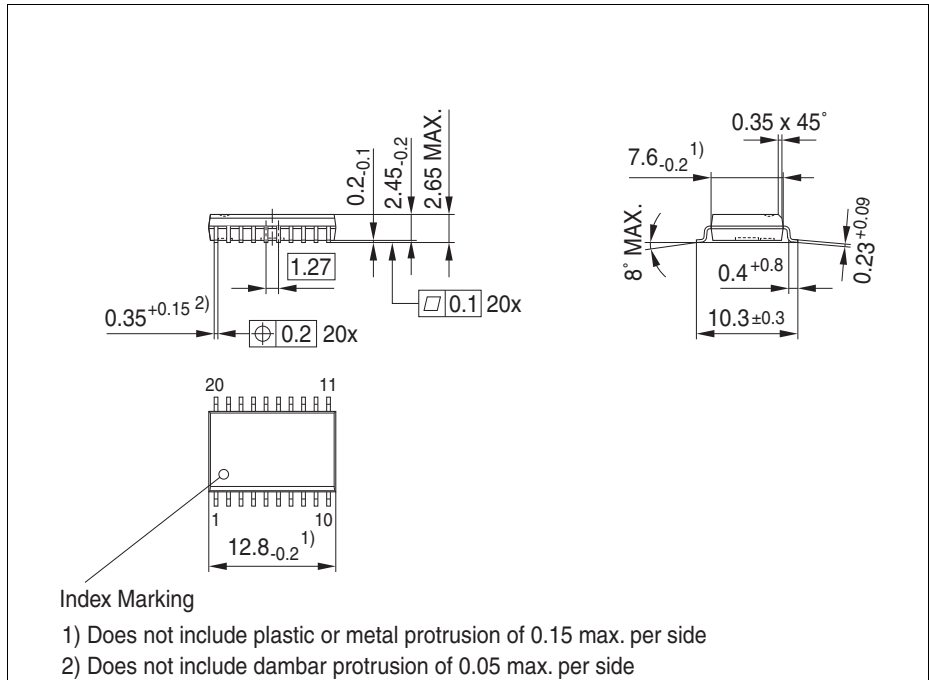
**Saturation Voltage versus Junction Temperature**



**Current Consumption versus Junction Temperature**



Package Outlines



**Figure 6 PG-DSO-20 (Plastic Dual Small Outline)**

**Green Product (RoHS compliant)**

To meet the world-wide customer requirements for environmentally friendly products and to be compliant with government regulations the device is available as a green product. Green products are RoHS-Compliant (i.e Pb-free finish on leads and suitable for Pb-free soldering according to IPC/JEDEC J-STD-020).

You can find all of our packages, sorts of packing and others in our Infineon Internet Page "Products": <http://www.infineon.com/products>.

Dimensions in mm

## Revision History

Revision	Date	Changes
1.1	2015-01-19	<p>Initial version of RoHS-compliant derivate of TLE 4205G</p> <ul style="list-style-type: none"><li>• Page 1: Added Coverpage,</li><li>• All pages: Infineon logo updated</li><li>• Page 2: “added AEC qualified” and “RoHS” logo, “Green Product (RoHS compliant)” and “AEC qualified” statement added to feature list, package name changed to RoHS compliant versions, package picture updated</li><li>• Page 12: Package name changed to RoHS compliant versions, “Green Product” description added</li><li>• Page 13: added Revision History</li><li>• Page 14: added Legal Disclaimer</li><li>• Page 7, Page 9: V9 designating the voltage at INH pin renamed V12</li></ul>

**Edition 2015-01-19**

**Published by  
Infineon Technologies AG  
81726 Munich, Germany**

**© 2015 Infineon Technologies AG  
All Rights Reserved.**

### **Legal Disclaimer**

The information given in this document shall in no event be regarded as a guarantee of conditions or characteristics. With respect to any examples or hints given herein, any typical values stated herein and/or any information regarding the application of the device, Infineon Technologies hereby disclaims any and all warranties and liabilities of any kind, including without limitation, warranties of non-infringement of intellectual property rights of any third party.

### **Information**

For further information on technology, delivery terms and conditions and prices, please contact the nearest Infineon Technologies Office ([www.infineon.com](http://www.infineon.com)).

### **Warnings**

Due to technical requirements, components may contain dangerous substances. For information on the types in question, please contact the nearest Infineon Technologies Office.

Infineon Technologies components may be used in life-support devices or systems only with the express written approval of Infineon Technologies, if a failure of such components can reasonably be expected to cause the failure of that life-support device or system or to affect the safety or effectiveness of that device or system. Life support devices or systems are intended to be implanted in the human body or to support and/or maintain and sustain and/or protect human life. If they fail, it is reasonable to assume that the health of the user or other persons may be endangered.