

# ARTESYN DA10-050 SERIES

10 Watts



Advanced Energy's Artesyn 10 watt, class II, wall mount power supply provides a 5 V USB-A compatible output in a compact-size at low cost. It meets new European CoC v5 Tier 2 & US DoE Level VI energy saving requirements.

## DATA SHEET

### Total Power:

10 Watts

### Input Voltage:

100 - 240 Vac

### # of Outputs:

Single



### SPECIAL FEATURES

- Small size 44 x 39.5 x 25 mm excluding AC pins
- High average loading efficiency 79%
- USB connector output
- -10 °C to +40 °C operating temperature range
- Protections: overvoltage, overtemperature, overcurrent, short circuit
- Reinforced isolation 3000 Vac rms
- European CoC v5 T2 & US DoE VI Compliant
- EN60950-1 Safety Standard
- One year warranty

### SAFETY

- cUL/UL 60950-1
- IEC/EN 60950-1
- IEC 62368-1
- CCC
- CE
- GS
- Designed to meet:
  - NOM-NYCE
  - SPRING
  - IRAM
  - C-Tick
  - NSW

## ELECTRICAL SPECIFICATIONS

Input	
Input voltage range	90 - 264 Vac (100 - 240 Vac nominal)
Frequency	47 - 63 Hz (50 / 60 Hz nominal)
Input current (max)	300 mA
Leakage current	100 $\mu$ A
No load power	<75 mW
Output	
Maximum power	10 W
Output voltage	5 V
Hold-up time	10 ms typical 115 Vac at full load

## ENVIRONMENTAL SPECIFICATIONS

Operating temperature	-10 °C to +40 °C
Storage temperature	-40 °C to +85 °C
Electromagnetic susceptibility	EM55022, FCC Part 15
Humidity	Non-condensing 5% to 95% RH
MTBF	>100,000 hours at full load and 25 °C ambient

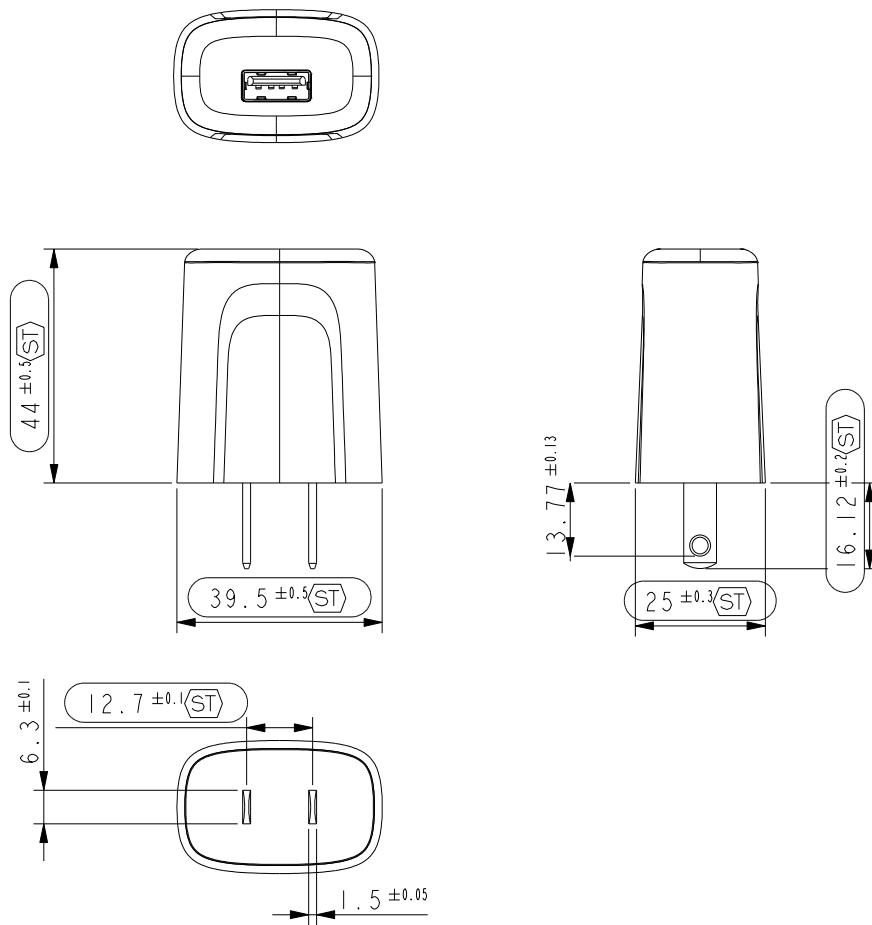
## ORDERING INFORMATION

Model Number	Input Voltage Range	Output Voltage	Minimum Load	Maximum Load
DA10-050US	90 - 264 Vac	5 V	0 A	2 A
DA10-050CH	90 - 264 Vac	5 V	0 A	2 A
DA10-050EU	90 - 264 Vac	5 V	0 A	2 A
DA10-050UK	90 - 264 Vac	5 V	0 A	2 A

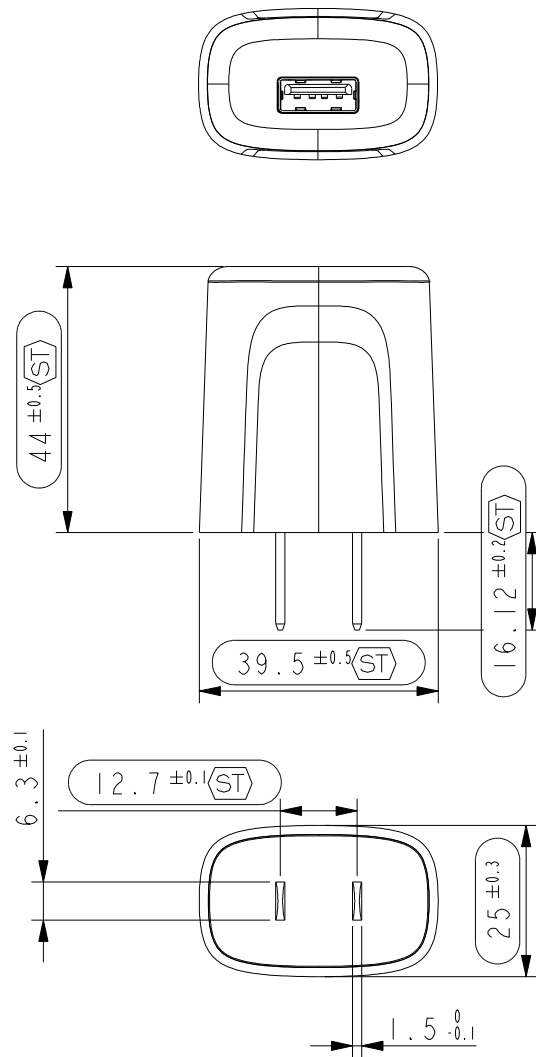
AC PLUG CONFIGURATION FOR FIXED PLUG

U.S. 2-prong	US
China 2-prong	CH
Europe 2-prong	EU
UK 3-prong	UK

MECHANICAL DRAWINGS - DA10-050 US

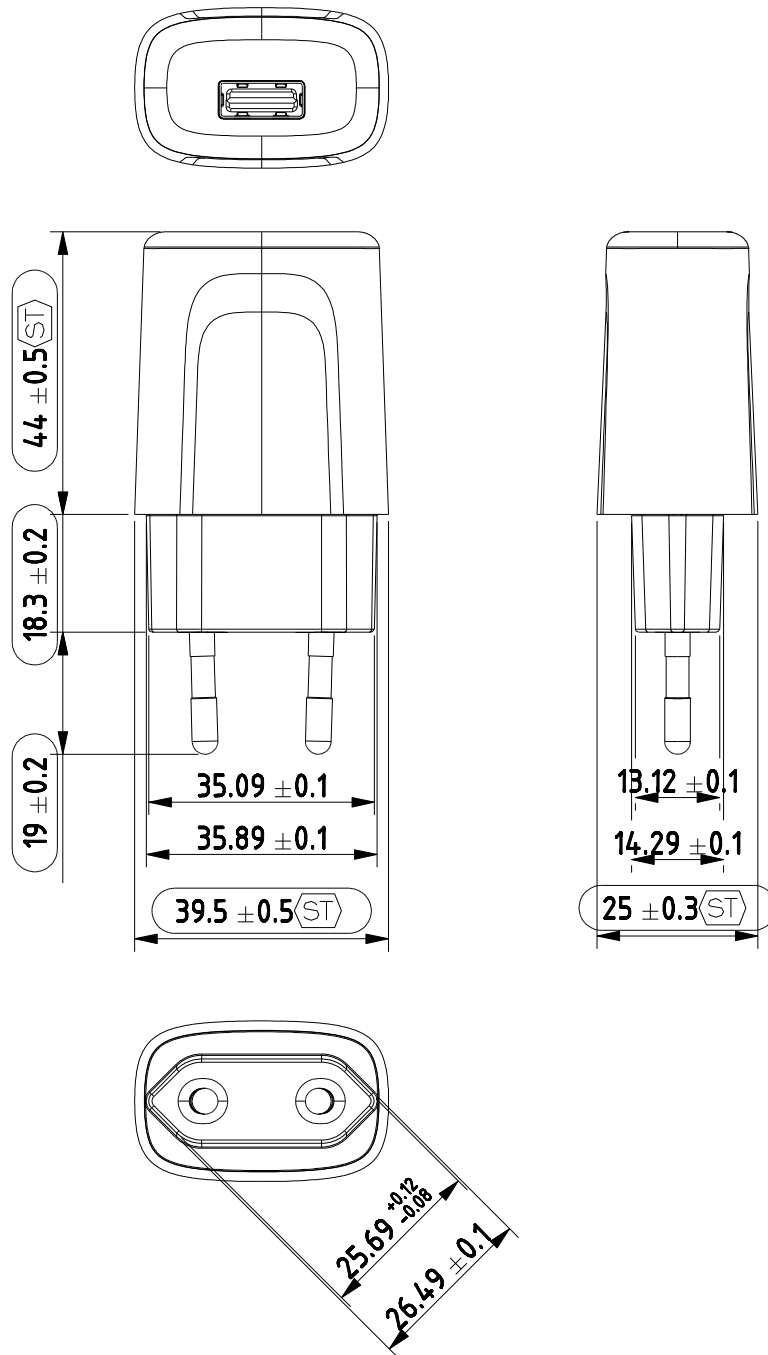


Note: All dimensions in mm.

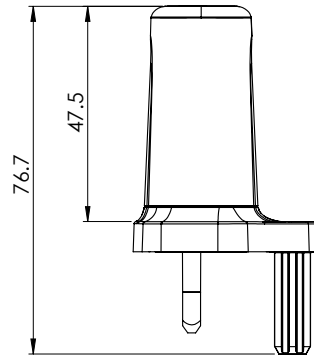
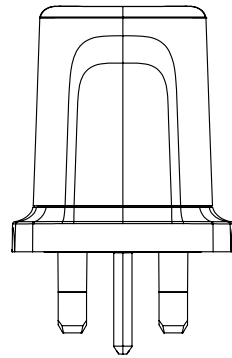
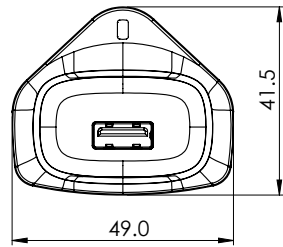


Note: All dimensions in mm.

MECHANICAL DRAWINGS - DA10-050EU



Note: All dimensions in mm.



Note: All dimensions in mm.



For international contact information,  
visit [advancedenergy.com](http://advancedenergy.com).

[powersales@aei.com](mailto:powersales@aei.com) (Sales Support)  
[productsupport.ep@aei.com](mailto:productsupport.ep@aei.com) (Technical Support)  
+1 888 412 7832

## ABOUT ADVANCED ENERGY

Advanced Energy (AE) has devoted more than three decades to perfecting power for its global customers. AE designs and manufactures highly engineered, precision power conversion, measurement and control solutions for mission-critical applications and processes.

Our products enable customer innovation in complex applications for a wide range of industries including semiconductor equipment, industrial, manufacturing, telecommunications, data center computing, and medical. With deep applications know-how and responsive service and support across the globe, we build collaborative partnerships to meet rapid technological developments, propel growth for our customers, and innovate the future of power.

PRECISION | POWER | PERFORMANCE

---

Specifications are subject to change without notice. Not responsible for errors or omissions. ©2021 Advanced Energy Industries, Inc. All rights reserved. Advanced Energy®, AE® and Artesyn™ are U.S. trademarks of Advanced Energy Industries, Inc.