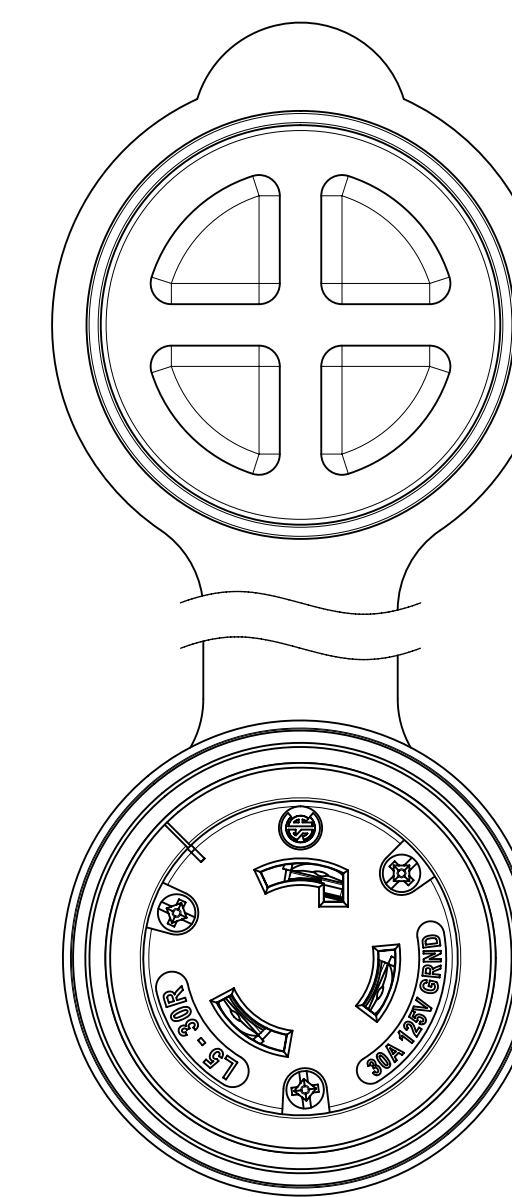
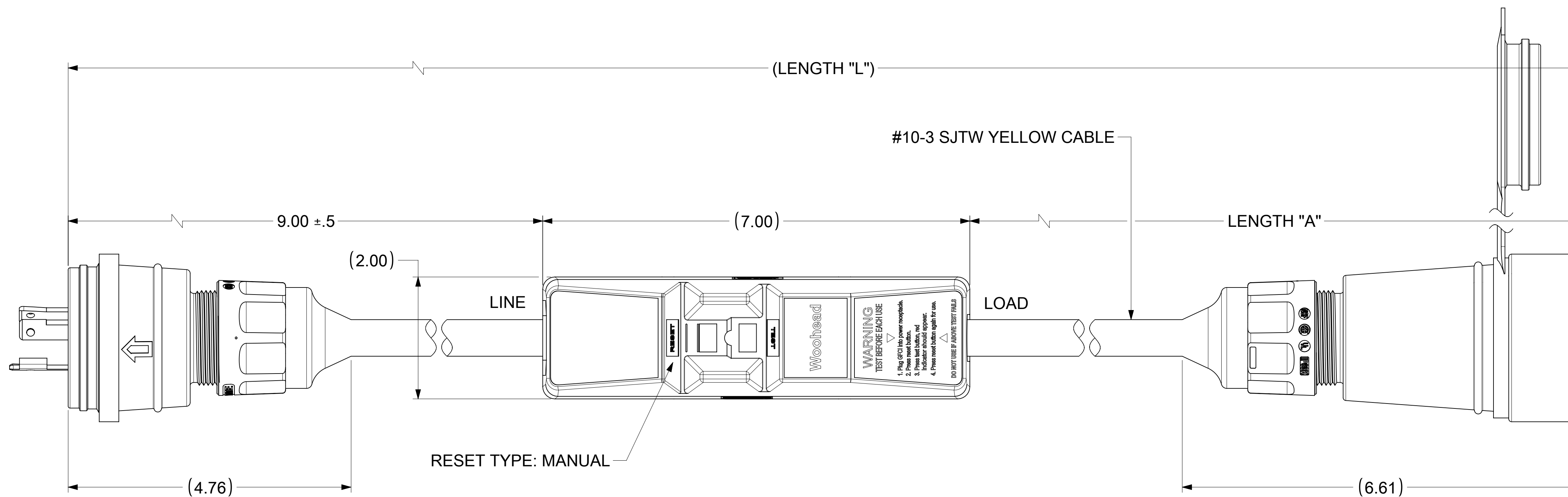
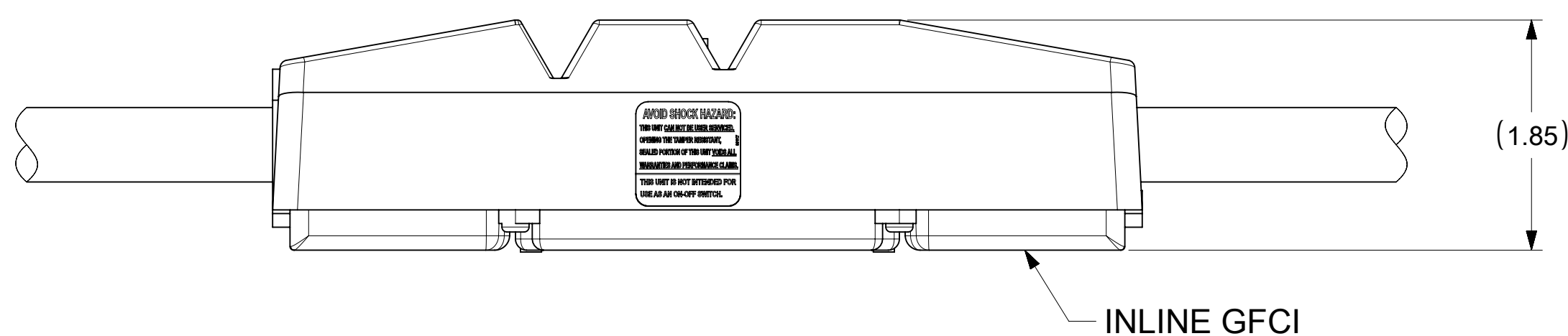


28W47 AS SHOWN



29W47 AS SHOWN



INLINE GFCI

**TECHNICAL**

- LISTED: UL & CSA
- RATED SUPPLY VOLTAGE: 120VAC, 240VAC
- RATED CURRENT: UP TO 30 AMPS
- RESET TYPE: MANUAL
- OPERATING FREQUENCY: 60 Hz
- TYPE: CLASS A
- GROUND TRIP CURRENT: 4-6 mA
- OVERLOAD CURRENT: 180 AMP
- INSULATION VOLTAGE: 1,500 VRMS - 1 MINUTE
- ENDURANCE OPERATIONS: 3000 OPERATIONS
- GFCI ENCLOSURE: NEMA 3R

| MATERIAL NO. | PART NO. | LENGTH "A"           | LENGTH "L"               | INPUT PLUG | OUTPUT CONNECTOR | INLINE GFCI P/N | RATED VOLTAGE |
|--------------|----------|----------------------|--------------------------|------------|------------------|-----------------|---------------|
| 1301530173   | 30052-1  | 9.00 IN. ± 0.5"      | 2 FT. 1 IN. ± 1"         | 28W47      | 29W47            | 30-0900         | 120V          |
| 1301530178   | 30052-6  | 5.0 FT. ± 1.0"       | 6 FT. 4 IN. ± 1.5"       | 28W47      | 29W47            | 30-0901         | 120V          |
| 1301530192   | 30054-1  | 9.00 IN. ± 0.5"      | 2 FT. 1 IN. ± 1"         | 28W48      | 29W48            | 30-0902         | 240V          |
| 1301530198   | 30054-6  | 5.0 FT. ± 1.0"       | 6 FT. 4 IN. ± 1.5"       | 28W48      | 29W48            | 30-0903         | 240V          |
| 1301530195   | 30054-25 | 24.0 FT. +2.0"/-0.0" | 25 FT. 4 IN. +2.5"/-0.5" | 28W48      | 29W48            | 30-0904         | 240V          |

|  |   |                        |                   |                                 |   |   |   |
|--|---|------------------------|-------------------|---------------------------------|---|---|---|
| FUNCTIONAL SYMBOLS<br>FA = 0<br>FC = 0<br>FD = 0     | THIS DRAWING CONTAINS INFORMATION THAT IS PROPRIETARY TO MOLEX ELECTRONIC TECHNOLOGIES, LLC AND SHOULD NOT BE USED WITHOUT WRITTEN PERMISSION |                        | SCALE<br>INCH NTS |                                 | CURRENT REV DESC: NEW SALES DRAWING CREATED   |   | <b>molex</b>                                |
|  | GENERAL TOLERANCES (UNLESS SPECIFIED)   |                        | ANGULAR TOL ± °   |                                 | EC NO: 687929   |   |   |
| DIVISIONAL SYMBOLS                                   | 4 PLACES ±  |                        | 3 PLACES ±        |                                 | 2 PLACES ±  |   | GFCI IN-LINE 30A WITH WATERTITE PLUG & CONN |
|  | 1 PLACE ±   |                        | 0 PLACES ±        |                                 | INITIAL REVISION:<br>DRWN: PPURSUTANDEL 2021/12/06<br>CHK'D: DNGUYEN62 2021/12/09<br>APPR: HKNEELAND 2022/01/18 |   |   |
| DRAFT WHERE APPLICABLE MUST REMAIN WITHIN DIMENSIONS |   | THIRD ANGLE PROJECTION |                   | DRAWING SERIES<br>D-SIZE 130153 |   | DOCUMENT NUMBER<br>1301530173           |   |
|  |   |                        |                   | MATERIAL NUMBER<br>SEE TABLE    |   | DOC TYPE DOC PART REVISION<br>PSD 000 A |   |
|  |   |                        |                   | CUSTOMER<br>GENERAL MARKET      |   | SHEET NUMBER<br>1 OF 1                  |   |