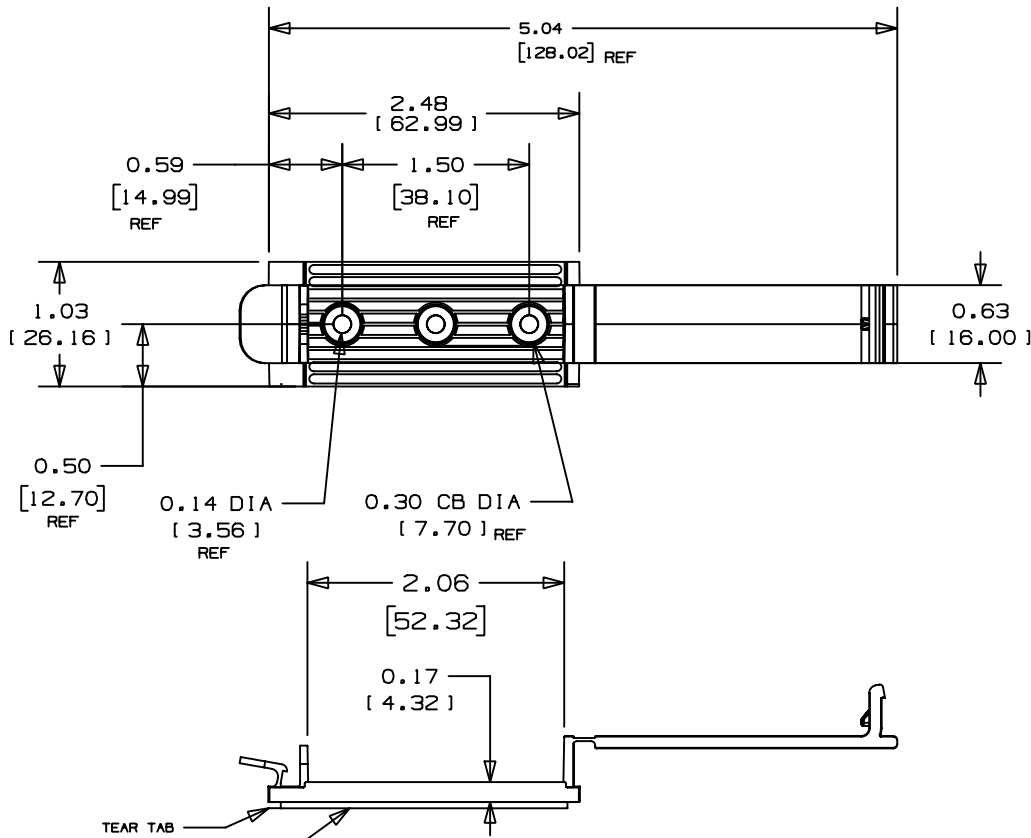


THIS COPY IS PROVIDED ON A RESTRICTED BASIS AND IS NOT TO BE USED IN ANY WAY DETRIMENTAL TO THE INTERESTS OF PANDUIT CORP.



ADHESIVE BACKING

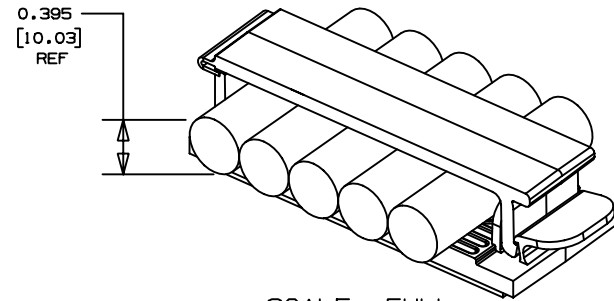
PRESSURE SENSITIVE FOAM TAPE 0.040 (1.02) THICK WITH RUBBER ADHESIVE AND PROTECTIVE LINER. MOUNT IS DESIGNED TO SUPPORT 1.28 lbs. (581.7g) MAXIMUM WEIGHT ON A CLEAN, DRY, SMOOTH, GREASE-FREE SURFACE.

TO APPLY CABLE HOLDER:

1. REMOVE PROTECTIVE LINER
2. PLACE IN DESIRED LOCATION
3. APPLY PRESSURE TO THE TOP OF CABLE HOLDER.

PANDUIT PART NUMBER	WEIGHT lbs/100 pcs (g)/100 pcs
CH105-S6	1.90 (861.83)
CH105-A	1.99 (902.65)

NO WARRANTY, EXPRESSED OR IMPLIED, IS MADE BY PANDUIT WITH RESPECT TO ADHESIVE BOND PERFORMANCE. AMONG OTHER THINGS, THE CONDITIONS UNDER WHICH THESE MOUNTS MAY BE APPLIED, AND/OR THE SURFACE TO WHICH THEY MAY BE APPLIED, ARE BEYOND PANDUIT'S CONTROL.



SCALE: FULL

DIMENSIONS IN BRACKETS ARE METRIC [mm]

CAD FILENAME/LAYERS G002391Y_PB_CH105_01

PANDUIT CORP.

TINLEY PARK, ILLINOIS

CH105-S6 CH105-A
WIRE AND CABLE HOLDER

UNLESS OTHERWISE SPECIFIED,
DIMENSIONAL TOLERANCES ARE:
(.X) ±0.05 (1.3) (.XXX) ±0.010 (0.25)
(.XX) ±0.02 (0.5) ANGLES ± 5°

UNLESS OTHERWISE SPECIFIED,
ALL DIMENSIONS ARE GIVEN
IN INCHES, THIRD ANGLE PROJECTION.

REV	DATE	BY	CHK	DESCRIPTION	ECN	R	CUST	SUP
1	5/10/02	LGG		ADDED NOTE ON ADHESIVE BACKING.	G802391Y	I		
R	12-16-01	LGG		INITIAL RELEASE	G802391Y	R		

DRAWN BY JAD
DATE 12-16-01
CHK'D

MAT'L:
NYLON 6/6

SCALE 3/4
DRAWING NO. G802391Y
DWG SIZE A