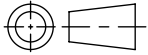
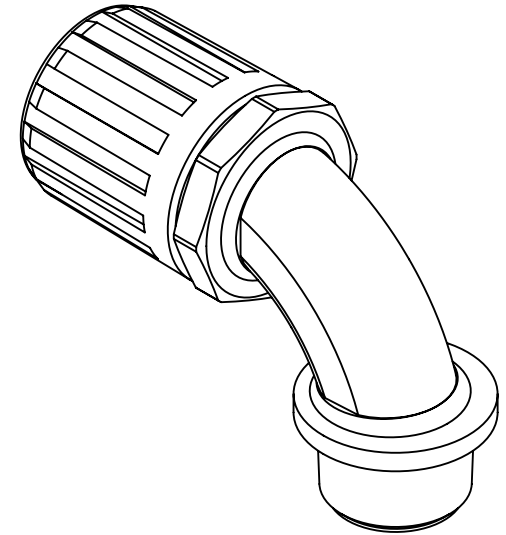
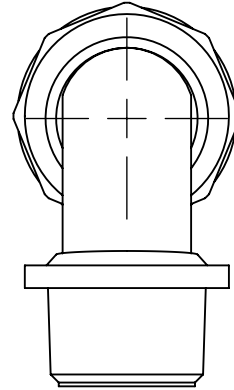
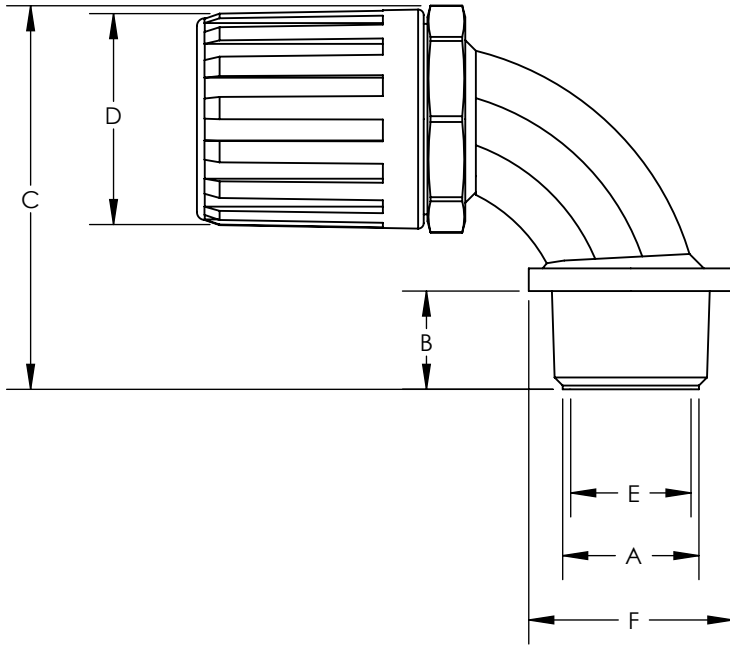


SW2014



| Revision level | | | Revision Record | Changed | Date | Approved | Date |
|----------------|----------------|------|-----------------|---------|------------|----------|------------|
| Drawing | State | Part | | | | | |
| 00.0 | Design Release | | SEE ECN# 013597 | GRW | 10/25/2016 | KAC | 10/25/2016 |



| Conduit Size | | Euro Size | HellermannTyton Part Number | Manufacturer Reference Number | NPT Thread | Dimension (mm) | | | | | | | | | |
|--------------|----|-----------|-----------------------------|-------------------------------|------------|----------------|----|------|-----|------|----|------|------|------|----|
| in. | mm | (NW) | | | | A | | B | | C | | D | | E | |
| | | | | | | in. | mm | in. | mm | in. | mm | in. | mm | in. | mm |
| 3/8 | 16 | 12 | HG038-90-0500 | FPA16-050-90 | 1/2 NPT | 0.51 | 13 | 1.5 | 38 | 1.14 | 29 | 0.55 | 14.0 | 1.06 | 27 |
| 1/2 | 21 | 17 | HG050-90-0500 | FPA21-050-90 | 1/2 NPT | 0.51 | 13 | 1.57 | 40 | 1.26 | 32 | 0.55 | 14.0 | 1.06 | 27 |
| 3/4 | 28 | 23 | HG075-90-0750 | FPA28-075-90 | 3/4 NPT | 0.59 | 15 | 2.01 | 51 | 1.73 | 44 | 0.75 | 19.0 | 1.26 | 32 |
| 1.00 | 34 | 29 | HG100-90-1000 | FPA34-100-90 | 1 NPT | 0.63 | 16 | 2.32 | 59 | 2.04 | 51 | 0.97 | 24.5 | 1.57 | 40 |
| 1.25 | 42 | 36 | HG125-90-1250 | FPA42-125-90 | 1-1/4 NPT | 0.63 | 16 | 3.23 | 82 | 2.48 | 63 | 1.28 | 32.5 | 1.97 | 50 |
| 1.25 | 42 | 36 | HG125-90-1500 | FPA42-150-90 | 1-1/2 NPT | 0.63 | 16 | 3.27 | 83 | 2.48 | 63 | 1.54 | 39.0 | 1.57 | 40 |
| 1.50 | 54 | 48 | HG150-90-1500 | FPA54-150-90 | 1-1/2 NPT | 0.63 | 16 | 3.46 | 88 | 2.99 | 76 | 1.54 | 39.0 | 2.36 | 60 |
| 2.00 | 67 | 56 | HG200-90-2000 | FPA54-200-90 | 2 NPT | 0.63 | 16 | 4.09 | 104 | 3.54 | 90 | 1.95 | 49.5 | 2.83 | 72 |

Material
PA66

Units: inches
Dimension without tolerances details to:
.xxxx = ±.0005
.xxx = ±.005
.xx = ±.01
.x = ±.03
None = ±.06
∠ = ±0.5°
Dimension Formatted in/[mm]

The copyright of this drawing is reserved by HellermannTyton. It is issued on condition that it is not reproduced, copied, or disclosed to a third party, either wholly or in part, without the consent of HellermannTyton.

Drawn GRW 10/25/2016
Approved KAC 10/25/2016
HellermannTyton
North America
Email: corp@htamericas.com
Web: www.hellermann.tyton.com

Article/Type-No HG-90 SERIES
Title **HELAGUARD 90 DEGREE NYLON ELBOW FITTING, NPT THREAD, IP66**
Drawing-No PRODUCTION : Phase
15-0835-001-CSU

Scale 1:1
Project Number PRP 15-0835
Format AH
Sheet 1/1