

# Semtech-Gennum Products Optical & Copper Portfolio:

TIAS

ROSAs

SINGLE-LANE CDRs

DUAL-LANE CDRs

MULTI-LANE SIGNAL CONDITIONERS

LASER DRIVERS

LIMITING AMPLIFIERS

TRANSCEIVERS

CROSSPOINT SWITCHES

OPTICAL REFERENCE DESIGN KITS

COPPER REFERENCE DESIGN KITS

OPTICAL & IC PRODUCTS FOR HIGH-SPEED COMMUNICATIONS

SPRING - 2012 PRODUCT GUIDE



## contents

Overview	1
Gennum Product Solutions	3
Emerging Technology	4
Optical Applications	5
Copper Applications	6
<hr/>	
TIAs	7
ROSAs	9
Single-Lane CDRs	10
Dual-Lane CDRs	11
Multi-Lane Signal Conditioners	12
Laser Drivers and Limiting Amplifiers	13
Transceiver IC's	14
Optical Module Reference Design Kits	15
CDR-based Copper Cable Assembly Reference Design Kits	16
Crosspoint Switches	17
Portfolio Summary	18

# High Performance Optical and Copper Products

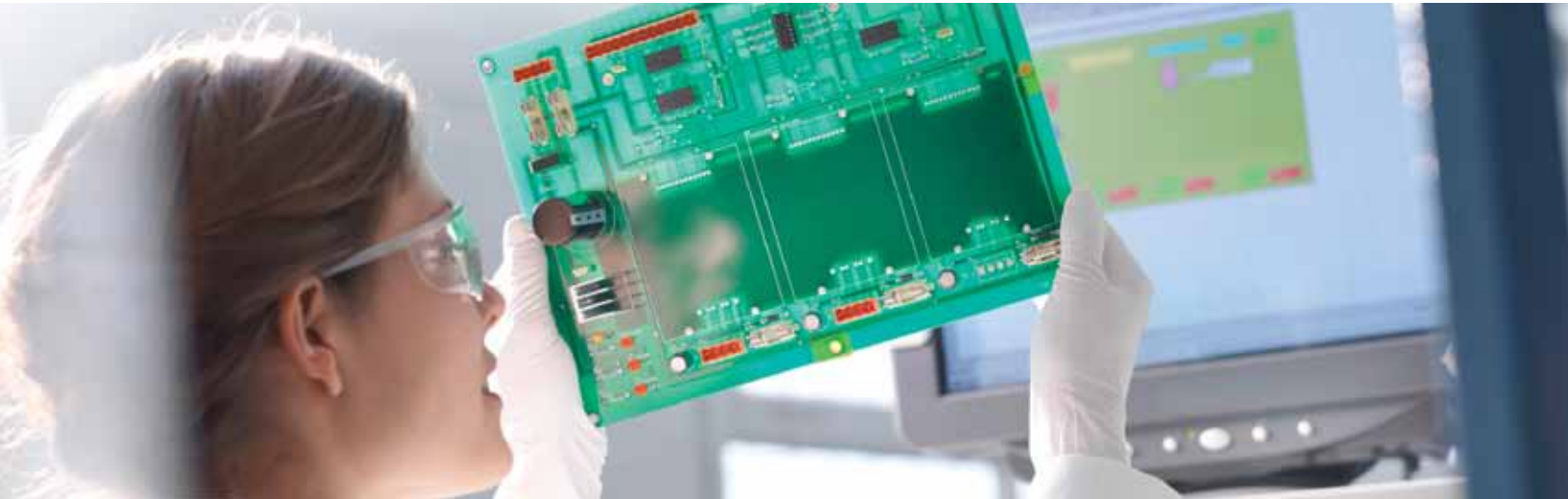
Semtech-Gennum Products design the industry's most innovative optical, analog and mixed signal semiconductor solutions to serve the rising global demand for high-speed data transmission products—robust solutions that improve performance and reliability, simplify design, lower system costs and speed time to market.

With the acquisition of Gennum and Nanotech, Semtech now offers one of the industry's most comprehensive portfolios of optical transceiver IC products ranging from 100Mb/s-100Gb/s supporting such key industry standards such as Fibre Channel, InfiniBand®, Ethernet, PON, SONET and PCI Express®.

For optical component suppliers, this highly differentiated set of products gives a unique roadmap that improves performance and reliability, simplifies design, lowers costs and speeds time to market.

For systems designers and manufacturers working on the next generation of high-speed networks, Gennum Products' multi-lane and multi-rate 10Gb/s-100Gb/s backplane solutions provide cost-effective low power, high performance ways to enable next-generation networks.

Semtech-Gennum Products is also an active contributor in networking standards development. Combine that with the fact that we've shipped over 63 million Optical IC's, and you get a feel for the sort of real-world experience in networking complexities and solution delivery we can bring to your designs.



### Enabling High Performance, High-Speed:

- Receive Optical Sub-Assembly (ROSA) based on Gennum Products' Rchip technology
- Full portfolio of integrated solutions to address all SFP+ and XFP link types
- Dual lane signal conditioners with integrated DML or EML driver
- Low power, reference-free CDRs
- Limiting amplifiers (LA) which provide wideband, low noise post-amplification
- Transimpedance amplifiers (TIAs) that exceed the IEEE 10GbE Stressed Receiver Sensitivity (SRS) specifications
- High performance, low power laser drivers
- Full portfolio of integrated solutions for all PON applications including complete reference designs
- Industry's first single-chip 10G PON transceivers for symmetric and asymmetric applications
- Industry's first quad 10 Gb/s CDR, enabling long reach Infiniband® QDR, 40 GbE and 100 GbE applications
- Protocol-independent repeaters/redrivers
- SFP+ reference design kits for optical module and copper cable assemblies to decrease design time

### Let's Build the Future Together

As networking requirements continue to evolve, so will we, working with you to provide solutions for tomorrow's networking challenges. One thing that won't change, however, is Gennum Products' commitment to being a reliable partner, providing innovative approaches that deliver unrivaled performance to your latest products.

Semtech-Gennum Products Solutions

# Technology Leadership for the Future of Optical Communications

## TECHNOLOGIES

### CDRs

Market leader in CDRs  
Integrated solutions

### ROSAs

Best-in-class sensitivity, based on our patented Rchip technology

### TIAs

Proven reliability, with over 44 million sold

### LASER DRIVERS & LIMITING AMPS

Only integrated solution among industry leaders

### CROSSPOINTS

Extensive portfolio including world's biggest and fastest crosspoints

## MARKETS

### PON/FTTH SOLUTIONS

Highly integrated chipset solutions for EPON & GPON ONU/OLT  
Industry's first fully integrated 10G PON ONU solutions, now in pre-production  
Complete reference designs for EPON, GPON, 10G EPON and XG-PON available

### 16G FIBRE CHANNEL

Industry's first complete integrated IC solution for 16G Fibre Channel SFP+

### 40G – 100G ETHERNET

R&D efforts clearly focused on the future with products in development

### UP TO 10G

Continuing to invest and develop products



# Semtech-Gennum Products

## Emerging Technology

### 25-28Gb/s Reference-Free CDRs

High Performance Reference-Free CDRs for Next-Generation 100Gb/s Networks

The GN2425 and GN2426 are Gennum Products' new clock and data recovery (CDR) retimers designed to support the implementation of 100Gb Ethernet optical modules. They are designed to handle 25Gb/s data streams within next-generation 100Gb/s pluggable fiber-optic modules, line cards and direct-attach copper/optical cables.

#### FEATURES

- Enable OIF CEI-28G-VSR retimed interfaces by compensating for losses in the data transmission and resetting the jitter budget
- Optimized for best jitter performance
- Designed specifically for the next-generation 100GbE CFP2 module form-factor
- Allow for the serializer and deserializer to be positioned outside of the CFP2 module enabling a simpler, lower power and lower cost solution
- Enable higher module density and faster serial bit rates

#### APPLICATIONS

- Fiber-optic modules
- Chip-to-module links
- Direct-attach copper/optical cables
- Line cards

#### GN2425

Provides excellent output jitter performance for optimal interfacing to laser drivers, or directly driving over a copper cable.

#### GN2426

In the receive chain, the GN2426 removes jitter from the recovered optical signal, providing ample margin for line card receivers to recover the high-speed data stream from the module.

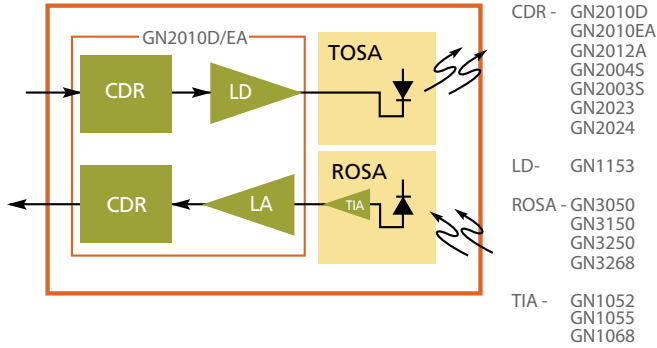
	GN2425	GN2426
Data Rate (Gb/s)	24.8 to 28.3	24.8 to 28.3
Input Stage	Equalizer	Limiting Amp



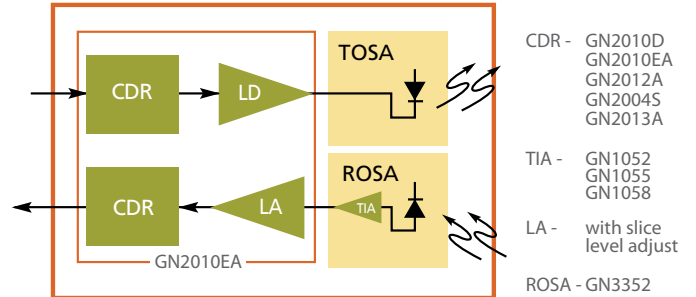
# Optical Applications

Gennum Products offer a comprehensive selection of optical transceiver ICs and components for all 10GbE and OC-192 module form factors, as well as copper solutions for high-speed serial line card and backplane communications.

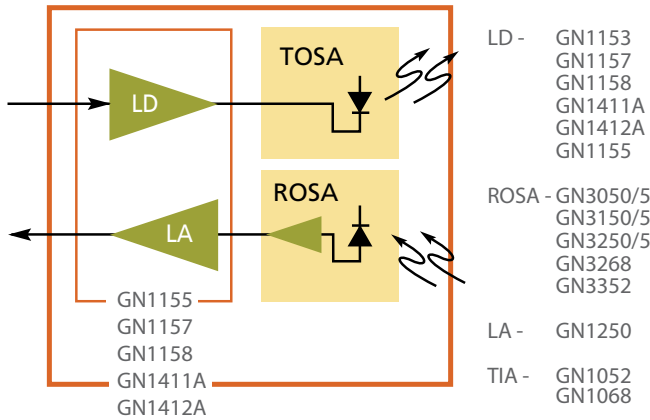
10G XFP Module for  $\leq 40\text{Km}$  Applications



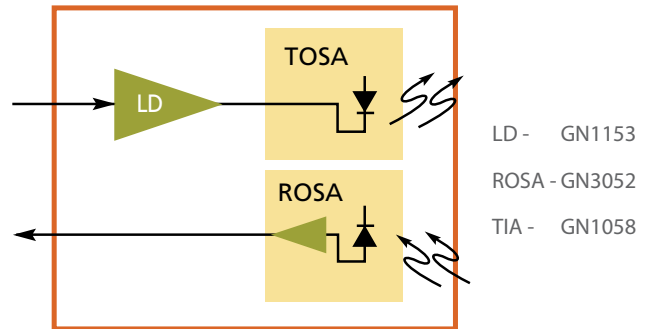
10G XFP Module for  $\leq 80\text{Km}$  Applications



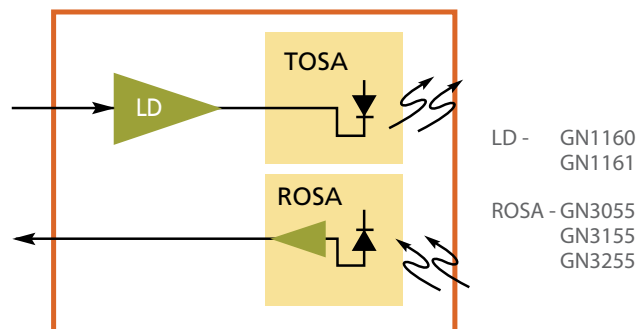
6/8/10G SFP+ Module Applications



10G SFP+ LRM Module Applications



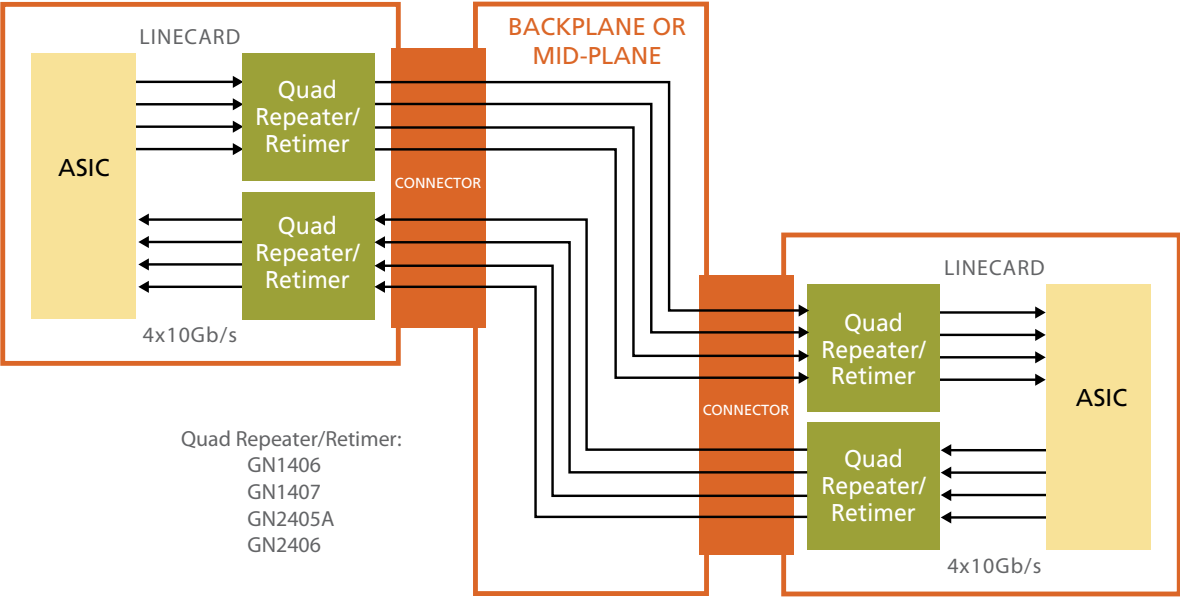
Lowest power, LA Free SFP+ Architecture



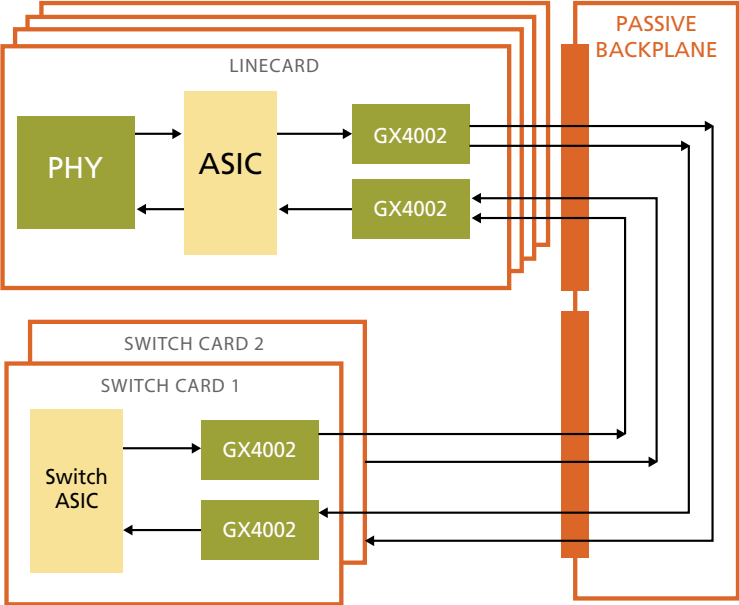
# Copper Applications

Gennum Products offer a comprehensive selection of optical transceiver ICs and components for all 10GbE and OC-192 module form factors, as well as copper solutions for high-speed serial line card and backplane communications.

## High-Speed Backplanes



## Redundancy Switching



# TIA

Wideband, low noise transimpedance amplifiers (TIAs) for your optical communication applications.

Gennum Products offer a portfolio of fully integrated Silicon Germanium (SiGe) BiCMOS and pure CMOS transimpedance amplifiers providing wideband, low noise pre-amplification of a current signal from a PIN photodiode or APD. Gennum Products' TIAs offer best-in-class performance in limiting, linear or automatic gain control versions for use in high performance optical receivers operating from 155 Mb/s to 14.3 Gb/s.

## FEATURES

- Wideband, low noise TIAs
- Limiting, linear and AGC versions
- Decoupling capacitor on the supply is the only external component required

## APPLICATIONS

- ITU/IEEE-based transmission systems
- 10 Gigabit Ethernet
- SONET/SDH based transmission systems, test equipment and optical modules from OC-3 to OC-192
- 8G and 16G Fibre Channel
- Serial data systems up to 14.3 Gb/s
- PON/FTTH systems – BPON, EPON, GPON, 10GEPON and XG-PON

## NT20R67

Low cost 3.3V to 5.0V CMOS PIN TIA with automatic gain control and more than 43dB dynamic range for optical fiber applications up to 200Mb/s.

## NT23L50

622Mb/s high sensitivity TIA for FTTH and Telecom Fiber transceiver applications.

## NT24L50

1.25Gb/s high sensitivity TIA with automatic gain control for FTTH and datacom fiber transceiver applications.

## NT24L55

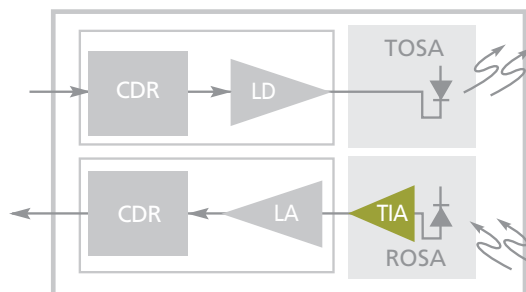
Super high sensitivity, high performance CMOS 1.25 Gb/s TIA with 35dB of dynamic operating range designed for FTTH applications such as GePON transceivers and long haul telecom/datacom applications.

## NT25L51

2.5 Gb/s CMOS TIA for FTTH and telecom fiber transceiver applications with automatic gain control enabling over 27 dB of dynamic operating range.

## NT25L59

2.5 Gb/s high sensitivity CMOS TIA for GPON with automatic gain control enabling over 30 dB of dynamic operating range.





**GN1056**

Linear TIA for high performance APD applications such as ultra-long haul telecom and submarine applications.

**GN1058**

High gain TIA optimized for applications requiring AGC, such as 10GBASE-LRM and DWDM receivers for low OSNR environments.

**GN7068**

Limiting TIA designed for APD applications such as ROSAs for 10G PON OLT's and 10GBASE-ZR transceivers modules.

**GN1068**

Multi-rate limiting TIA providing high gain and wideband performance for use in Ethernet and emerging 16G Fibre Channel applications.

**GN7050, GN7051, GN7052, GN7053**

Limiting TIA's designed specifically for 1G EPON, 1G GPON, 2.5G XG-PON and 10G EPON OLT applications.

	Overview	Data Rate (Gb/s)	Gain	BW (GHz)	Supply (V)	Noise	Applications
<b>NT20R67</b>	155 Mb/s AGC TIA	0.155	63k $\Omega$	0.165	3.3/5.0	11 nA	OC-3, Fast Ethernet
<b>NT23L50</b>	622 Mb/s AGC TIA	0.622	50k $\Omega$	0.32	3.3	60 nA	OC-12, BPON
<b>NT24L50</b>	1.25 Gb/s AGC TIA	1.25	25k $\Omega$	0.75	3.3	92 nA	GbE, EPON
<b>NT24L55</b>	1.25 Gb/s High Sensitivity AGC TIA	1.25	46k $\Omega$	0.75	3.3	74 nA	EPON
<b>NT25L51</b>	2.5 Gb/s AGC TIA	2.5	8k $\Omega$	1.7	3.3	230 nA	OC-48, GPON (APD)
<b>NT25L59</b>	2.5 Gb/s High Sensitivity AGC TIA	2.5	29k $\Omega$	1.5	3.3	108 nA	GPON (PD)
<b>GN1056</b>	10G Linear	to 11.3	500/1k $\Omega$	12	+3.3	1 $\mu$ A	OC-192
<b>GN1058</b>	10G AGC	to 11.3	4k $\Omega$	12	+3.3	1 $\mu$ A	10GBASE-LRM & DWDM
<b>GN7068</b>	10G Limiting	to 11.3	3k $\Omega$	12	+3.3	1 $\mu$ A	APD ROSAs for 10G PON ONU & 10GBASE-ZR
<b>GN1068</b>	14G Limiting	to 14.3	6.75k $\Omega$	12	+3.3	1.2 $\mu$ A	10GBASE-SR/LR/ER & 16G FC
<b>GN7050</b>	1.25G Burst mode Limiting	1.25	12k $\Omega$	*	*	*	1G EPON OLT
<b>GN7051</b>	2.5G Burst mode Limiting	2.5	1.5k $\Omega$	*	*	*	2.5G XG-PON OLT
<b>GN7052</b>	Tri-rate PON TIA	1.25/2.5 /10.3	2k $\Omega$	*	*	*	1.25G EPON / 2.5G XG-PON / 10G EPON OLT
<b>GN7053</b>	1G GPON Burst mode Limiting	1.25	1.25k $\Omega$	*	*	*	1G GPON OLT

\* Please contact your sales representative for a detailed datasheet.

# ROSAs

Best-in-class receive optical sub-assemblies (ROSAs) based on Gennum Products' patented Rchip technology.

Gennum Products' complete line of PIN and APD ROSA products spans 850 nanometer (nm) to 1550 nm including limiting, linear and automatic gain control (AGC) functionality. Our PIN ROSAs operate at  $+3.3V \pm 10\%$  and from  $-40^{\circ}C$  to  $+85^{\circ}C$ , with highly accurate RSSI functionality and industry best dynamic range. The ROSA products feature Gennum Products' patented Rchip packaged in a fully compliant SC or LC type optical subassembly and are available with optional flex circuits.

New Super High Gain Rchip ROSAs deliver  $35k\Omega$  of gain that eliminates the cost and power of the limiting amplifier for SFP+ applications.

### FEATURES:

- Best-in-class stressed receiver sensitivity
- High gain to ensure exceptional crosstalk performance within the module
- Patented Rchip technology to ensure maximum module manufacturing yield
- Super High Gain deliver most integrated, lowest power SFP+ solution

### APPLICATIONS:

- 10GBASE-SR
- 10GBASE-LR
- 10GBASE-ER
- 10GBASE-LRM
- OC-192 SR-1
- OC-192 IR-2
- 10G EPON
- 80 km
- DWDM
- 8GFC & 10GFC

### GN3150/5

850 nm limiting ROSA is ideal for 10GBASE-SR and 8G Fibre Channel applications.

### GN3050/5

10 km limiting ROSA provides excellent performance achieving  $-21dBm$  unstressed sensitivity. Ideal for 10GBASELR and SR-1.

### GN3250/5

10/40 km XMD compatible limiting ROSA provides excellent  $-21dBm$  unstressed sensitivity and high ORL for 10GBASE-ER and IR-2 applications.

### GN3052

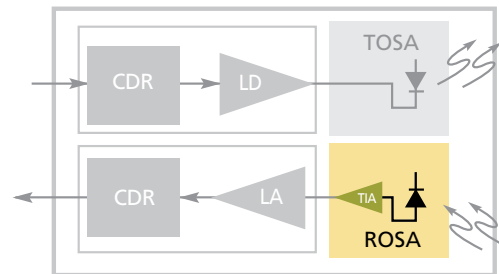
AGC ROSA for 10 GbE LRM and linear applications. Interoperability with all leading EDC solutions for LRM.

### GN3352

10G APD ROSA with AGC TIA is ideal for both 80km limiting and DWDM applications requiring excellent OSNR performance.

### GN3268

10/40 km XMD compatible low power (94 mW) limiting ROSA



	Overview	Data Rate (Gb/s)	Gain	Supply	RSSI	Unstressed Sensitivity	Stressed Sensitivity	ORL
<b>GN3150</b>	SR Rchip Limiting	to 11.3	10k $\Omega$	$+3.3V \pm 10\%$	Yes	-15dBm OMA	-13.5dBm OMA (BASE-SR)	-14dB
<b>GN3050</b>	10km Rchip Limiting	to 11.3	10k $\Omega$	$+3.3V \pm 10\%$	Yes	-21dBm	-16.8dBm OMA (BASE-L)	-14dB
<b>GN3250</b>	40km Rchip Limiting	to 11.3	10k $\Omega$	$+3.3V \pm 10\%$	Yes	-21dBm	-16.0dBm OMA (BASE-E)	-27dB
<b>GN3052</b>	LRM Rchip AGC	to 11.3	9k $\Omega$	$+3.3V \pm 10\%$	Yes	-17dBm OMA	-12dBm OMA (LRM Symmetric, 6" FR4)	-14dB
<b>GN3352</b>	APD with AGC	to 11.3	4k $\Omega$	$+3.3V \pm 10\%$	VAPD	-27dBm	-	-27dB
<b>GN3155</b>	SR Super High Gain Rchip	to 11.3	35k $\Omega$	$+3.3V \pm 10\%$	Yes	-15dBm OMA	Eliminate LA in SFP+	-14dB
<b>GN3055</b>	10km Super High Gain Rchip	to 11.3	35k $\Omega$	$+3.3V \pm 10\%$	Yes	-21dBm	Eliminate LA in SFP+	-14dB
<b>GN3255</b>	40km Super High Gain Rchip	to 11.3	35k $\Omega$	$+3.3V \pm 10\%$	Yes	-21dBm	Eliminate LA in SFP+	-27dB
<b>GN3268</b>	40km Low Power Limiting	to 11.3	7k $\Omega$	$+3.3V \pm 10\%$	Yes	-21dBm	94mW power dissipation	-27dB

# Single-Lane CDRs

Gennum Products' clock and data recovery (CDR) products offer the highest performance in the key areas of power consumption, receiver sensitivity, output jitter and jitter tolerance.

## LOW POWER

Delivering low power single lane 10Gb/s CDR products enables small form factor module designs.

## PIN COMPATIBILITY

With pin compatible solutions for 10GbE, SONET OC-192 and 8G, 10G and 16G Fibre Channel, overall design effort is reduced.

## REFERENCE FREE

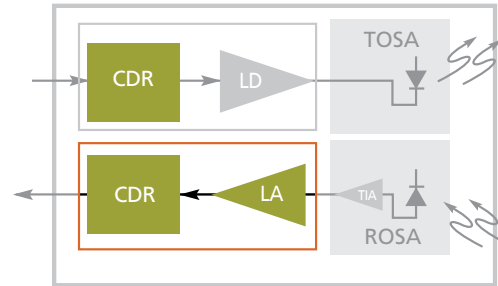
Reference-free CDRs ease the requirements at both the module and system level.

## LEADING JITTER PERFORMANCE

With industry leading input jitter tolerance and output jitter, Gennum Products' CDRs help create an extremely robust design.

## XFP AND SFP+ COMPATIBLE

Gennum Products' CDRs are fully XFP compliant. The low power, reference-free architecture also enables the use of CDRs in SFP+ modules.



	Data Rate (Gb/s)	Input Stage	Laser Driver	Slice Level Adjust	Loopback Support	Pin Compatibility	Supply (V)	Pkg	Applications
<b>GN1113</b>	8.5	Limiting Amplifier	-	-	Yes	GN2003S GN2023	3.3	24 QFN	8GFC
<b>GN1114</b>	8.5	Equalizer	VCSEL	-	Yes	GN2014A	3.3	24 QFN	8GFC
<b>GN2003S</b>	9.95 - 11.3	Limiting Amplifier	-	-	Yes	GN1113 GN2023	3.3	24 QFN	OC-192, 10GbE, 10GFC
<b>GN2004S</b>	9.95 - 11.3	Equalizer	-	-	Yes	GN2024	3.3	24 QFN	OC-192, 10GbE, 10GFC
<b>GN2013A</b>	9.95 - 11.3	Limiting Amplifier	-	Yes	Yes	-	3.3	24 QFN	OC-192, 10GbE, 10GFC
<b>GN2014A</b>	9.95 - 11.3	Equalizer	-	-	Yes	GN1114	3.3	24 QFN	10GbE, 10GFC
<b>GN2023</b>	9.95 - 11.3	Limiting Amplifier	-	-	Yes	GN1113 GN2003S	3.3	24 QFN	10GbE, 10GFC
<b>GN2024</b>	9.95 - 11.3	Equalizer	-	-	Yes	GN2004S	3.3	24 QFN	10GbE, 10GFC

# Dual-Lane CDRs

Gennum Products' dual-lane signal conditioners, with integrated VCSEL, DML or EML driver, offer the lowest power, smallest footprint solution for XFP and retimed SFP+ modules.

## ENABLING SFP+ SONET

The GN2010D and GN2010EA enable a SONET compliant module in an SFP+ form factor. The integration of the laser driver enables a low power solution for SFP+. The high level of integration also delivers a small footprint solution to fit within the form factor. The 3.3V, reference clock free architecture simplifies the overall module design and saves cost.

## FEATURE SET FOR DWDM APPLICATIONS

The GN2010/12 family has a rich feature set to enable optimal performance in DWDM applications. The features include slice level adjust, programmable peaking on the receive path input and sampling clock phase adjust.

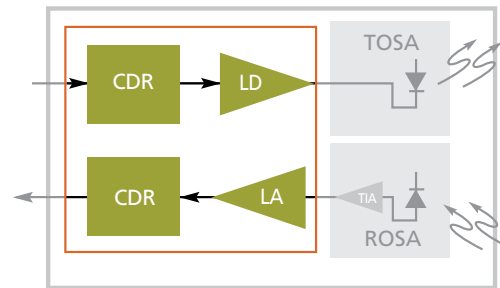
## LOW COST, SMALL FOOTPRINT SOLUTION

By integrating the limiting amplifier, laser driver and receive and transmit CDR, the GN2010D, GN2010EA and GN2017A provide an optimal path for lower cost designs. The integrated APC loop and small number of external components also save cost. The high level of integration in a small, 5mmx5mm 32-QFN package enables use in very high density designs.

## MULTI-RATE SUPPORT

The GN2010/12 family supports multiple data rates and standards in a single device. The device is able to retime data at 8.5Gb/s for 8G Fibre Channel and is able to retime anywhere from 9.95Gb/s to 11.7Gb/s to support standards such as 10GbE and OC-192 SONET.

The GN2017A supports 9.95 - 11.3 Gb/s and 14.025 Gb/s data rates enabling retimed, converged SFP+ modules for 16G FC and 10G FCoE applications.



	Data Rate (Gb/s)	Lanes	Laser Driver	Slice Level Adjust	Pin Compatibility	Supply (V)	Pkg	Applications
<b>GN2010D</b>	8.5 9.95-11.7	2 (1 Rx + 1 Tx)	DML	Yes	GN2010EA	3.3	32 QFN	XFP and SFP+ 10GbE, OC-192 and 8GFC
<b>GN2010EA</b>	8.5 9.95-11.7	2 (1 Rx + 1 Tx)	EML	Yes	GN2010D	3.3	32 QFN	XFP and SFP+ 10GbE, OC-192, 8GFC and DWDM
<b>GN2012A</b>	8.5 9.95-11.7	2 (1 Rx + 1 Tx)	-	Yes	-	3.3	32 QFN	XFP and SFP+ 10GbE, OC-192, 8GFC and DWDM
<b>GN2017A</b>	9.95-11.7 14.025	2 (1 Rx + 1 Tx)	VCSEL	No	GN2010X	3.3	32 QFN	16G FC, 10G FCoE

# Multi-Lane Signal Conditioners

Gennum Products' multi-channel signal conditioners enhance the reach and robustness of high-speed serial links by compensating for transmission losses and re-setting the crosstalk and jitter budgets.

## HIGH LEVEL OF INTEGRATION AND SMALL FOOTPRINT

Gennum Products' multi-channel signal conditioners are ideal for small form factor modules or dense backplane applications.

## FULL PORTFOLIO

Gennum Products offer solutions for SAS, SATA, PCI Express®, Infiniband® and Ethernet. Solutions are available with and without CDR functionality.

## DRIVE LONG BACKPLANES OR CABLES

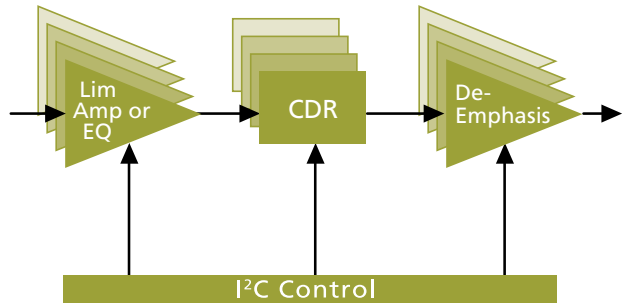
A combination of equalizer and CDR technology allows for an optimal solution to drive long, dense backplanes or cables at high speeds.

## LOW POWER

Gennum Products' 5 Gb/s and higher CDR products require the lowest power in the industry, a key factor as densities increase.

## RESET THE JITTER AND CROSSTALK BUDGETS

Using CDRs will reset the jitter budget, substantially increasing the robustness of the system and allowing for design flexibility. Using CDRs in multi-channel systems will also reset the crosstalk budget, an increasing concern at higher data rates.



	Data Rate (Gb/s)	Lanes	CDR	Ref Clock	Input Stage	De-emphasis	Pin Compatibility	Supply (V)	Pkg	Applications
<b>GN1406</b>	2.5 3.125 5.0, 6.25	4	Yes	Required	Equalizer (Programmable)	Yes	GN1407	1.2 1.8	56 QFN	PCIe Gen 1/2, Infiniband® SDR/DDR, SATA 1/2/SAS6G, SAS 1/2/SAS6G, SNAP-12, POP-4/LX-4/CX-4/KX-4, XAUI/RXAUI and Rapid I/O
<b>GN1407</b>	1 - 8	4	-	N/A	Equalizer (Programmable)	-	GN1406	1.2 1.8	56 QFN	PCIe Gen 1/2/3, Infiniband® SDR/DDR, SATA 1/2/SAS6G, SAS 1/2/SAS6G, SNAP-12, POP-4/LX-4/CX-4/KX-4, XAUI/RXAUI and Rapid I/O
<b>GN2405A</b>	2.49 - 2.8 4.98 - 5.6 9.95 - 11.3	4	Yes	Not Required	Equalizer	Yes	GN2406	3.3	48 QFN	10GbE 40GbE, 100GbE Infiniband® SDR, DDR, QDR
<b>GN2406</b>	2.49 - 2.8 4.98 - 5.6 9.95 - 11.3	4	Yes	Not Required	Limiting Amp	Yes	GN2405A	3.3	48 QFN	10GbE 40GbE, 100GbE Infiniband® SDR, DDR, QDR

# Laser Drivers and Limiting Amplifiers

High performance laser drivers and limiting amplifiers for optical communication.

## APPLICATIONS:

- 10G EPON, XG-PON1 and XG-PON2
- 8G Fibre Channel
- 9.95 Gb/s OC-192 and 10.70 Gb/s OC-192 with FEC
- 10.3 Gb/s Ethernet
- 10.52 Gb/s Fibre Channel
- 11.1 Gb/s Ethernet over SONET
- 11.3 Gb/s Fibre Channel with Forward Error Correction

## LASER DRIVERS:

### NT20042

Low cost 3.3V / 5.0 V 300 Mb/s LED driver for SONET, ESCON and Fast Ethernet applications over optical fiber.

### NT22L33

3.3 V/ 5.0 V CMOS laser driver for data rates of 125 Mb/s to 1.25 Gb/s.

### GN1153B & GN1153C

These low power DFB/FP laser drivers are designed specifically to address the 1W power requirements of SFP+, while still satisfying the requirements for XENPAK, X2, and XFP.

### GN1160 & GN1161

Very low power laser drivers for DFB/VCSEL applications. RSSI feature for compatibility with our high gain ROSA's, enabling SFP+ modules without limiting amplifiers.

## LIMITING AMPLIFIERS:

### NT20045

Low cost 3.0 V to 5.5 V, 200 Mb/s limiting amplifier for SONET, SDH, ESCON and Fast Ethernet applications over optical fiber.

### NT24L71

1.25 Gb/s CMOS 3.0 V to 5.5 V limiting amplifier with CML data outputs and signal status output in QSOP 16.

### NT24L73

1.25 Gb/s CMOS limiting amplifier with CML data outputs and signal status in an MSOP package.

### GN1250L

A limiting amplifier that provides wideband, low noise postamplification, aimed primarily at OC-192 and SDH STM-64 systems.

## LASER DRIVERS

	Overview	Data Rate (Gb/s)	Max Mod / Bias Current	Supply	Pkg.	Applications
<b>NT20042</b>	300 Mb/s LED Driver	0.3	100mA	3.3/5.0V	QSOP 16	OC-3, Fast Ethernet
<b>NT22L33</b>	1.25 Gb/s FP/DFB Laser Driver	1.25	70mA / 80mA	3.3/5.0V	4mm QFN24	OC-3, OC-12, GbE
<b>GN1153B/C</b>	DFB/FP Laser Driver	to 11.3	80mA / 120mA	3.3V (opt. 5V output stage)	24 QFN	10GbE, OC-192
<b>GN1160</b>	DFB driver	to 11.3	90mA/ 120mA	3.3V (Opt. 2.9V)	28 QFN	10GE SFP+ 10GBASE-LR
<b>GN1161</b>	VCSEL driver	to 11.3	20mA/ 15mA	3.3V (Opt. 2.9V)	28 QFN	10GE SFP+ 10GBASE-SR

## LIMITING AMPLIFIERS

	Overview	Data Rate (Gb/s)	Gain	BW	Supply	Noise Figure	Applications
<b>NT20045</b>	200 Mb/s Limiting Amp	0.2	60dB	0.125	3.3/5.0V	80uV	OC-3, Fast Ethernet
<b>NT24L71</b>	1.25 Gb/s Limiting Amp	1.25	46dB	0.938	3.3V	300uV	OC-3, OC-12, GbE
<b>NT24L73</b>	1.25 Gb/s Limiting Amp	1.25	46dB	0.938	3.3V	300uV	OC-3, OC-12, GbE
<b>GN1250L</b>	10/14G Limiting Amp	to 14.5	33.7dB	14.7GHz	+3.3V	13dB	10GbE, OC-192, 8G and 16GFC

# Transceiver IC's (LD & LA)

High performance laser drivers and limiting amplifiers for optical communication.

## NT25L90

2.5 Gb/s CMOS burst mode laser driver and limiting post amplifier with digital set-up, control and on-chip NVM.

## NT25L91

2.5 Gb/s CMOS burst mode laser driver and limiting post amplifier with digital set-up, control, NVM and APD DAC control.

## NT28L90

Combined 10 Gb/s limiting post amplifier and 2.5 Gb/s burst mode laser driver for cost critical 10GEPON and XG-PON asymmetric applications. The NT28L90 features Tx & Rx sleep control, TX\_SD output and Tx Power burst monitoring.

## GN7354 & GN7355

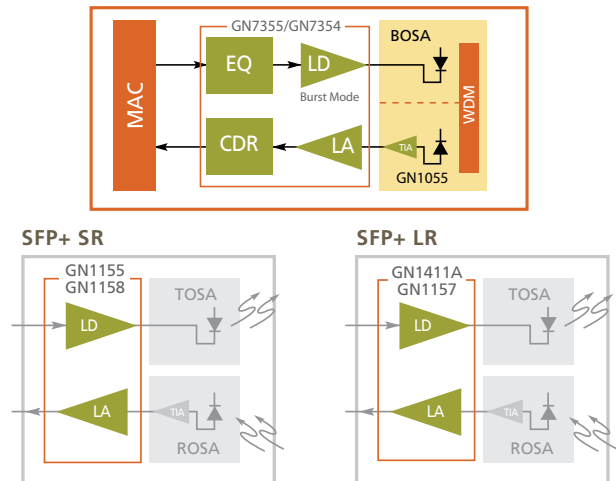
10G EPON transceiver for next generation PON systems. The GN7355 combines a 10G burst mode laser driver with a receive CDR and is targeted at 10G EPON symmetric applications. The GN7354 is a pin-for-pin compatible, de-rated version of the GN7355 intended to address the 1.25Gb/s and 2.5Gb/s transmit data rate, and cost pressures of the 10Gb/s asymmetric EPON and XG-PON applications.

## GN1411A/12A

The GN1411A/GN1412A are highly-integrated, low-power, small footprint transceivers that are ideal for SFP+ LR/ER optical modules.

## GN1157/58

Gennum Products' latest, lowest power transceiver IC's for SFP+ LR/SR applications with integrated APC and advanced eye shaping features.



## TRANSCIEVER IC (LD&LA)

	Overview	Data Rate (Gb/s)	Max Mod / Bias Current	Supply	Pkg.	Applications
<b>NT25L90</b>	2.5 Gb/s Burst Mode LDD & LA	2.5	90mA / 100mA	3.3V	4mm QFN28	EPON, GPON, OC-48
<b>NT25L91</b>	2.5 Gb/s Burst Mode LDD & LA	2.5	90mA / 100mA	3.3V	4mm QFN28	EPON, GPON, BOSA-on-Board
<b>NT28L90</b>	10 Gb/s Burst Mode LDD & LA	Rx 10.3 Tx 2.5	90mA / 100mA	3.3V	4mm QFN28	10GEPON, XG-PON1 (Asymmetric)
<b>GN7354</b>	Burst Mode DFB + Receive LA & CDR	Rx: 10.3 Tx: to 2.5	90mA / 90mA	3.3V (3.3 V or 5V output stage)	32 QFN	10GEPON, XG-PON1 (Asymmetric)
<b>GN7355</b>	Burst Mode DFB + Receive LA & CDR	10.3	90mA / 90mA	3.3V +5 V output stage (optional 3.3 V)	32 QFN	10GEPON, XG-PON2 (Symmetric)
<b>GN1155</b>	VCSEL Driver + Receive LA	to 11.3	15mA / 12mA	3.3V	24 QFN	8GFC, 10GbE, and SFP+
<b>GN1411A</b>	DFB/FB Laser Driver + Receive LA	to 11.3G	80mA / 120mA	3.3V	32 QFN	10GbE LR SFP+, OC-192
<b>GN1412A</b>	EML Laser Driver + Receive LA	to 11.3G	2.5Vpp / 120mA	3.3V	32 QFN	10GbE ER SFP+, OC-192
<b>GN1157</b>	DML Laser Driver + Receive LA	to 11.3G	90mA / 120mA	3.3V	28 QFN	10GbE LR SFP+
<b>GN1158</b>	VCSEL Laser Driver + Receive LA	to 11.3G	20mA / 15mA	3.3V	28 QFN	10GbE SR SFP+



# Optical Module Reference Design Kit

Improve the performance and time to market of your SFP+ design with Gennum Products Optical Module Reference Design Kits.

## FAST TIME TO MARKET

Gennum Products' reference design kits include schematics, layout files and a design guide as well as attentive support from experienced applications engineers. This reduces both design costs and decreases time to market. This is further realized in the FTTx market where it is possible to re-use the 10G symmetric SFP+ design to address the 10G asymmetric market.

## BROAD RANGE OF REFERENCE DESIGNS AVAILABLE.

Reference design kits are offered to cover a wide variety of SFP+ applications, including symmetrical and asymmetrical PON, and 10GbE SR and LR applications.

For ethernet SFP+, designs are available for both the traditional architecture (including a limiting amplifier in the receive chain), as well as a new LA-free architecture enabled by Gennum Products' High Gain ROSA portfolio.

GN1157 RDK (RDK-SFP+-Optical02)



GN1160/GN3055 RDK (RDK-SFP+-Optical04)



GN7354/7355 RDK  
RDK-SFP+-PON-500  
RDK-SFP+-PON-A00



Rx CDR+ Tx Burst Mode DML driver  
GN7355 - Symmetric PON  
GN7354 - Asymmetric PON

	Parts Demonstrated	Data Rate (Gb/s)	Connector Type	Wavelength (nm)	Applications
RDK-SFP+-PON-500	GN7355	10.3	SFP+	1577/ 1270	10G EPON
RDK-SFP+-PON-A00	GN7354	10/1.25 10/2.5	SFP+	1577/1310 1577/ 1270	10G EPON Asym. XG-PON1
RDK-SFP+-Optical02	GN1157	1/11.3	SFP+	1310	10GbE LR
RDK-SFP+-Optical03	GN1158	1/11.3	SFP+	850	10GbE SR
RDK-SFP+-Optical04	GN1160 & GN3055	1/11.3	SFP+	1310	10GbE LR
RDK-SFP+-Optical05	GN1161 & GN3155	1/11.3	SFP+	850	10GbE SR

# CDR-based Copper Cable Assembly Reference Design Kits

SFP+ copper cable assembly reference design kits (RDK) based on Gennum Products' industry leading 8 Gb/s and 10 Gb/s CDR technology.

## FAST TIME TO MARKET

Gennum Products' reference design kits include schematics, layout files and a design guide as well as attentive support from experienced applications engineers. This reduces both design costs and time, to get to market quickly.

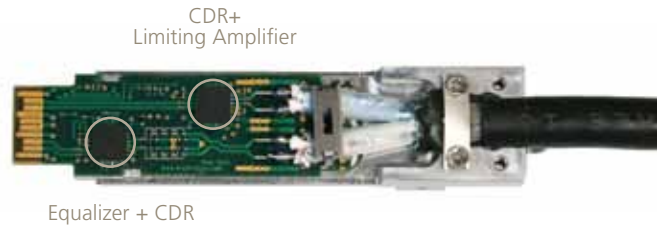
## MULTIPLE EVALUATION OPTIONS

The RDKs are available in two forms, with or without attached cable. The version with attached cable can be immediately plugged into a system or test set up for quick evaluation. The version without attached cable comes as a set of two populated PCBs with housing, wherein any manufacturer's cable can be soldered onto the PCBs for a custom evaluation.

## CDR ADVANTAGE

There are multiple advantages to a CDR-based copper cable assembly. By resetting the jitter budget in the connector, the cable's performance will be independent of the system it is plugged into. It allows for longer trace lengths and reduces overall crosstalk in the system.

### Copper Cable Assembly RDK



	Data Rate (Gb/s)	Connector Type	Length (m)	Cable Gauge (AWG)	Full Action/ Half Action	Applications
<b>RDK-SFP+-Copper00</b>	8.5	SFP+	8	30	Full	8GFC
<b>RDK-SFP+-Copper01</b>	8.5	SFP+	15	24	Full	8GFC
<b>RDK-SFP+-Copper02</b>	10.3	SFP+	12	24	Full	10GbE, 10GFC
<b>RDK-SFP+-Copper03</b>	10.3	SFP+	7	30	Full	10GbE, 10GFC
<b>RDK-SFP+-Copper04*</b>	8.5	SFP+	N/A	N/A	Full	8GFC
<b>RDK-SFP+-Copper05*</b>	10.3	SFP+	N/A	N/A	Full	10GbE, 10GFC
<b>RDK-QSFP-Copper00</b>	40	QSFP	13	26	Full	10GbE, 40GbE, Infiniband® QDR
<b>RDK-QSFP-Copper05</b>	40	QSFP	13	26	Half	10GbE, 40GbE, Infiniband® QDR

\*A version of the Reference Design Kit is available that contains two populated PCBs without housing, but no cable. It can be used to solder cable to the boards, if a cable type other than the one provided with the reference design kit is desired.

# Crosspoint Switches

Extensive portfolio of solutions including the world's biggest and fastest crosspoints

Gennum Products' new crosspoint switches are the most feature-rich available. They are available in sizes from 2 x 2 up to 290 x 290 – the largest asynchronous, fully non-blocking crosspoint switch in the industry.

## FEATURES

- Fastest data rates in the industry
- Lowest power in industry
- Advanced signal integrity features like input equalization, integrated CDRs and output de-emphasis to enable longer trace lengths and reset jitter and crosstalk
- Real-time performance monitoring
- Support for non-square router configurations

## APPLICATIONS

- DWDM systems
- SONET/SDH/OTN systems
- 10GbE, Fibre Channel and InfiniBand® networks
- Redundancy switching
- Video routers and switchers

	Data Rate (Gb/s)	Size	CDR	Ref Clock	Input Stage	De-emphasis	Supply (V)	Pkg.	Applications
<b>GX3290</b>	3.5	290 x 290		Not Required	Equalizer	Yes	2.5, 1.8	2377 BGA	- DWDM systems - SONET/SDH/OTN systems - Video routers & switchers
<b>GX3190</b>	3.5	146 x 290		Not Required	Equalizer	Yes	2.5, 1.8	2377 BGA	- DWDM systems - SONET/SDH/OTN systems - Video routers & switchers
<b>GX3246</b>	3.5	290 x 146		Not Required	Equalizer	Yes	2.5, 1.8	2377 BGA	- DWDM systems - SONET/SDH/OTN systems - Video routers & switchers
<b>GX3202</b>	3.5	202 x 202		Not Required	Equalizer	Yes	2.5, 1.8	2377 BGA	- DWDM systems - SONET/SDH/OTN systems - Video routers & switchers
<b>GX3146</b>	3.5	146 x 146		Not Required	Equalizer	Yes	2.5, 1.8	2377 BGA	- DWDM systems - SONET/SDH/OTN systems - Video routers & switchers
<b>GX3074</b>	3.5	74 x 74		Not Required	Equalizer	Yes	2.5, 1.8	2377 BGA	- DWDM systems - SONET/SDH/OTN systems - Video routers & switchers
<b>GX4002</b>	up to 14	2x2	Yes	Not Required	Equalizer	Yes	3.3	32 QFN	- 16G FC, 10GbE backplane interconnects - Redundancy switching

# Portfolio Summary

## TIA's

	Overview	Data Rate (Gb/s)	Gain	BW (GHz)	Supply (V)	Noise	Applications
<b>NT20R67</b>	155 Mb/s AGC TIA	0.155	63kΩ	0.165	3.3/5.0	11 nA	OC-3, Fast Ethernet
<b>NT23L50</b>	622 Mb/s AGC TIA	0.622	50kΩ	0.32	3.3	60 nA	OC-12, BPON
<b>NT24L50</b>	1.25 Gb/s AGC TIA	1.25	25kΩ	0.75	3.3	92 nA	GbE, EPON
<b>NT24L55</b>	1.25 Gb/s High Sensitivity AGC TIA	1.25	46kΩ	0.75	3.3	74 nA	EPON
<b>NT25L51</b>	2.5 Gb/s AGC TIA	2.5	8kΩ	1.7	3.3	230 nA	OC-48, GPON (APD)
<b>NT25L59</b>	2.5 Gb/s High Sensitivity AGC TIA	2.5	29kΩ	1.5	3.3	108 nA	GPON (PD)
<b>GN1056</b>	10G Linear	to 11.3	500/1kΩ	12	+3.3	1μA	OC-192
<b>GN1058</b>	10G AGC	to 11.3	4kΩ	12	+3.3	1μA	10GBASE-LRM & DWDM
<b>GN7068</b>	10G Limiting	to 11.3	3kΩ	12	+3.3	1μA	APD ROSAs for 10G PON ONU & 10GBASE-ZR
<b>GN1068</b>	14G Limiting	to 14.3	6.75kΩ	12	+3.3	1.2μA	10GBASE-SR/LR/ER & 16G FC
<b>GN7050</b>	1.25G Burst mode Limiting	1.25	12kΩ	*	*	*	1G EPON OLT
<b>GN7051</b>	2.5G Burst mode Limiting	2.5	1.5kΩ	*	*	*	2.5G XG-PON OLT
<b>GN7052</b>	Tri-rate PON TIA	1.25/2.5 /10.3	2kΩ	*	*	*	1.25G EPON / 2.5G XG-PON / 10G EPON OLT
<b>GN7053</b>	1G GPON Burst mode Limiting	1.25	1.25kΩ	*	*	*	1G GPON OLT

\* Please contact your sales representative for a detailed datasheet.

## ROSAs

	Overview	Data Rate (Gb/s)	Gain	Supply	RSSI	Unstressed Sensitivity	Stressed Sensitivity	ORL
<b>GN3150</b>	SR Rchip Limiting	to 11.3	10kΩ	+3.3V ± 10%	Yes	-15dBm OMA	-13.5dBm OMA (BASE-SR)	-14dB
<b>GN3050</b>	10km Rchip Limiting	to 11.3	10kΩ	+3.3V ± 10%	Yes	-21dBm	-16.8dBm OMA (BASE-L)	-14dB
<b>GN3250</b>	40km Rchip Limiting	to 11.3	10kΩ	+3.3V ± 10%	Yes	-21dBm	-16.0dBm OMA (BASE-E)	-27dB
<b>GN3052</b>	LRM Rchip AGC	to 11.3	9kΩ	+3.3V ± 10%	Yes	-17dBm OMA	-12dBm OMA (LRM Symmetric, 6" FR4)	-14dB
<b>GN3352</b>	APD with AGC	to 11.3	4kΩ	+3.3V ± 10%	VAPD	-27dBm	-	-27dB
<b>GN3155</b>	SR Super High Gain Rchip	to 11.3	35kΩ	+3.3V ± 10%	Yes	-15dBm OMA	Eliminate LA in SFP+	-14dB
<b>GN3055</b>	10km Super High Gain Rchip	to 11.3	35kΩ	+3.3V ± 10%	Yes	-21dBm	Eliminate LA in SFP+	-14dB
<b>GN3255</b>	40km Super High Gain Rchip	to 11.3	35kΩ	+3.3V ± 10%	Yes	-21dBm	Eliminate LA in SFP+	-27dB
<b>GN3268</b>	40km Low Power Limiting	to 11.3	7kΩ	+3.3V ± 10%	Yes	-21dBm	94mW power dissipation	-27dB

### SINGLE-LANE CDRs

	Data Rate (Gb/s)	Input Stage	Laser Driver	Slice Level Adjust	Loopback Support	Pin Compatibility	Supply (V)	Pkg	Applications
GN1113	8.5	Limiting Amplifier	-	-	Yes	GN2003S GN2023	3.3	24 QFN	8GFC
GN1114	8.5	Equalizer	VCSEL	-	Yes	GN2014A	3.3	24 QFN	8GFC
GN2003S	9.95 - 11.3	Limiting Amplifier	-	-	Yes	GN1113 GN2023	3.3	24 QFN	OC-192, 10GbE, 10GFC
GN2004S	9.95 - 11.3	Equalizer	-	-	Yes	GN2024	3.3	24 QFN	OC-192, 10GbE, 10GFC
GN2013A	9.95 - 11.3	Limiting Amplifier	-	Yes	Yes	-	3.3	24 QFN	OC-192, 10GbE, 10GFC
GN2014A	9.95 - 11.3	Equalizer	-	-	Yes	GN1114	3.3	24 QFN	10GbE, 10GFC
GN2023	9.95 - 11.3	Limiting Amplifier	-	-	Yes	GN1113 GN2003S	3.3	24 QFN	10GbE, 10GFC
GN2024	9.95 - 11.3	Equalizer	-	-	Yes	GN2004S	3.3	24 QFN	10GbE, 10GFC

### DUAL-LANE CDRs

	Data Rate (Gb/s)	Lanes	Laser Driver	Slice Level Adjust	Pin Compatibility	Supply (V)	Pkg	Applications
GN2010D	8.5 9.95-11.7	2 (1 Rx + 1 Tx)	DML	Yes	GN2010EA	3.3	32 QFN	XFP and SFP+ 10GbE, OC-192 and 8GFC
GN2010EA	8.5 9.95-11.7	2 (1 Rx + 1 Tx)	EML	Yes	GN2010D	3.3	32 QFN	XFP and SFP+ 10GbE, OC-192, 8GFC and DWDM
GN2012A	8.5 9.95-11.7	2 (1 Rx + 1 Tx)	-	Yes	-	3.3	32 QFN	XFP and SFP+ 10GbE, OC-192, 8GFC and DWDM
GN2017A	9.95-11.7 14.025	2 (1 Rx + 1 Tx)	VCSEL	No	GN2010X	3.3	32 QFN	16G FC, 10G FCoE

### MULTI-LANE SIGNAL CONDITIONERS

	Data Rate (Gb/s)	Lanes	CDR	Ref Clock	Input Stage	De-emphasis	Pin Compatibility	Supply (V)	Pkg	Applications
GN1406	2.5 3.125 5.0, 6.25	4	Yes	Required	Equalizer (Programmable)	Yes	GN1407	1.2 1.8	56 QFN	PCIe Gen 1/2, Infiniband® SDR/DDR, SATA 1/2/SAS6G, SAS 1/2/SAS6G, SNAP-12, POP-4/LX-4/CX-4/KX-4, XAUI/RXAUI and Rapid I/O
GN1407	1 - 8	4	-	N/A	Equalizer (Programmable)	-	GN1406	1.2 1.8	56 QFN	PCIe Gen 1/2/3, Infiniband® SDR/DDR, SATA 1/2/SAS6G, SAS 1/2/SAS6G, SNAP-12, POP-4/LX-4/CX-4/KX-4, XAUI/RXAUI and Rapid I/O
GN2405A	2.49 - 2.8 4.98 - 5.6 9.95 - 11.3	4	Yes	Not Required	Equalizer	Yes	GN2406	3.3	48 QFN	10GbE 40GbE, 100GbE Infiniband® SDR, DDR, QDR
GN2406	2.49 - 2.8 4.98 - 5.6 9.95 - 11.3	4	Yes	Not Required	Limiting Amp	Yes	GN2405A	3.3	48 QFN	10GbE 40GbE, 100GbE Infiniband® SDR, DDR, QDR

## LASER DRIVERS

	Overview	Data Rate (Gb/s)	Max Mod / Bias Current	Supply	Pkg.	Applications
<b>NT20042</b>	300 Mb/s LED Driver	0.3	100mA	3.3/5.0V	QSOP 16	OC-3, Fast Ethernet
<b>NT22L33</b>	1.25 Gb/s FP/DFB Laser Driver	1.25	70mA / 80mA	3.3/5.0V	4mm QFN24	OC-3, OC-12, GbE
<b>GN1153B/C</b>	DFB/FP Laser Driver	to 11.3	80mA / 120mA	3.3V (opt. 5V output stage)	24 QFN	10GbE, OC-192
<b>GN1160</b>	DFB driver	to 11.3	90mA/ 120mA	3.3V (Opt. 2.9V)	28 QFN	10GE SFP+ 10GBASE-LR
<b>GN1161</b>	VCSEL driver	to 11.3	20mA/ 15mA	3.3V (Opt. 2.9V)	28 QFN	10GE SFP+ 10GBASE-SR

## LIMITING AMPLIFIERS

	Overview	Data Rate (Gb/s)	Gain	BW	Supply	Noise Figure	Applications
<b>NT20045</b>	200 Mb/s Limiting Amp	0.2	60dB	0.125	3.3/5.0V	80uV	OC-3, Fast Ethernet
<b>NT24L71</b>	1.25 Gb/s Limiting Amp	1.25	46dB	0.938	3.3V	300uV	OC-3, OC-12, GbE
<b>NT24L73</b>	1.25 Gb/s Limiting Amp	1.25	46dB	0.938	3.3V	300uV	OC-3, OC-12, GbE
<b>GN1250L</b>	10/14G Limiting Amp	to 14.5	33.7dB	14.7GHz	+3.3V	13dB	10GbE, OC-192, 8G and 16GFC

## TRANSCEIVER IC (LD&LA)

	Overview	Data Rate (Gb/s)	Max Mod / Bias Current	Supply	Pkg.	Applications
<b>NT25L90</b>	2.5 Gb/s Burst Mode LDD & LA	2.5	90mA / 100mA	3.3V	4mm QFN28	EPON, GPON, OC-48
<b>NT25L91</b>	2.5 Gb/s Burst Mode LDD & LA	2.5	90mA / 100mA	3.3V	4mm QFN28	EPON, GPON, BOSA-on-Board
<b>NT28L90</b>	10 Gb/s Burst Mode LDD & LA	Rx 10.3 Tx 2.5	90mA / 100mA	3.3V	4mm QFN28	10GEPON, XG-PON1 (Asymmetric)
<b>GN7354</b>	Burst Mode DFB + Receive LA & CDR	Rx: 10.3 Tx: to 2.5	90mA / 90mA	3.3V (3.3 V or 5V output stage)	32 QFN	10GEPON, XG-PON (Asymmetric)
<b>GN7355</b>	Burst Mode DFB + Receive LA & CDR	10.3	90mA / 90mA	3.3V +5 V output stage (optional 3.3 V)	32 QFN	10GEPON, XG-PON (Symmetric)
<b>GN1155</b>	VCSEL Driver + Receive LA	to 11.3	15mA / 12mA	3.3V	24 QFN	8GFC, 10GbE, and SFP+
<b>GN1411A</b>	DFB/FB Laser Driver + Receive LA	to 11.3G	80mA / 120mA	3.3V	32 QFN	10GbE, OC-192
<b>GN1412A</b>	EML Laser Driver + Receive LA	to 11.3G	2.5Vpp / 120mA	3.3V	32 QFN	10GbE, OC-192
<b>GN1157</b>	DML Laser Driver + Receive LA	to 11.3G	90mA / 120mA	3.3V	28 QFN	10GbE LR SFP+
<b>GN1158</b>	VCSEL Laser Driver + Receive LA	to 11.3G	20mA / 15mA	3.3V	28 QFN	10GbE SR SFP+

### OPTICAL REFERENCE DESIGN KITS

	Parts Demonstrated	Data Rate (Gb/s)	Connector Type	Wavelength (nm)	Applications
RDK-SFP+-PON-S00	GN7355	10.3	SFP+	1577/ 1270	10G EPON
RDK-SFP+-PON-A00	GN7354	10/1.25 10/2.5	SFP+	1577/1310 1577/ 1270	10G EPON Asym. XG-PON1
RDK-SFP+-Optical02	GN1157	1/11.3	SFP+	1310	10GbE LR
RDK-SFP+-Optical03	GN1158	1/11.3	SFP+	850	10GbE SR
RDK-SFP+-Optical04	GN1160 & GN3055	1/11.3	SFP+	1310	10GbE LR
RDK-SFP+-Optical05	GN1161 & GN3155	1/11.3	SFP+	850	10GbE SR

### COPPER REFERENCE DESIGN KITS

	Data Rate (Gb/s)	Connector Type	Length (m)	Cable Gauge (AWG)	Full Action/ Half Action	Applications
RDK-SFP+-Copper00	8.5	SFP+	8	30	Full	8GFC
RDK-SFP+-Copper01	8.5	SFP+	15	24	Full	8GFC
RDK-SFP+-Copper02	10.3	SFP+	12	24	Full	10GbE, 10GFC
RDK-SFP+-Copper03	10.3	SFP+	7	30	Full	10GbE, 10GFC
RDK-SFP+-Copper04*	8.5	SFP+	N/A	N/A	Full	8GFC
RDK-SFP+-Copper05*	10.3	SFP+	N/A	N/A	Full	10GbE, 10GFC
RDK-QSFP-Copper00	40	QSFP	13	26	Full	10GbE, 40GbE, Infiniband® QDR
RDK-QSFP-Copper05	40	QSFP	13	26	Half	10GbE, 40GbE, Infiniband® QDR

\* Please see Copper RDK page for explanation



## CROSSPOINT SWITCHES

	Data Rate (Gb/s)	Size	CDR	Ref Clock	Input Stage	De-emphasis	Supply (V)	Pkg.	Applications
<b>GX3290</b>	3.5	290 x 290	-	Not Required	Equalizer	Yes	2.5, 1.8	2377 BGA	- DWDM systems - SONET/SDH/OTN systems - Video routers & switchers
<b>GX3190</b>	3.5	146 x 290	-	Not Required	Equalizer	Yes	2.5, 1.8	2377 BGA	- DWDM systems - SONET/SDH/OTN systems - Video routers & switchers
<b>GX3246</b>	3.5	290 x 146	-	Not Required	Equalizer	Yes	2.5, 1.8	2377 BGA	- DWDM systems - SONET/SDH/OTN systems - Video routers & switchers
<b>GX3202</b>	3.5	202 x 202	-	Not Required	Equalizer	Yes	2.5, 1.8	2377 BGA	- DWDM systems - SONET/SDH/OTN systems - Video routers & switchers
<b>GX3146</b>	3.5	146 x 146	-	Not Required	Equalizer	Yes	2.5, 1.8	2377 BGA	- DWDM systems - SONET/SDH/OTN systems - Video routers & switchers
<b>GX3074</b>	3.5	74 x 74	-	Not Required	Equalizer	Yes	2.5, 1.8	2377 BGA	- DWDM systems - SONET/SDH/OTN systems - Video routers & switchers
<b>GX4002</b>	up to 14	2x2	Yes	Not Required	Equalizer	Yes	3.3	32 QFN	- 16G FC, 10GbE blackplane interconnects - Redundancy switching

## For more information on Semtech Gennum Products' Optical & IC for High-Speed Communications

Delivering some of the world's highest performing 10Gb/s optical components, we enable fibre optic capacity to move from the core of the network right to the home.





**Corporate Headquarters**

200 Flynn Road, Camarillo, California 93012

phone: (805) 498-2111 • fax: (805) 498-3804 • email: [corporate@gennum.com](mailto:corporate@gennum.com)

[www.semtech.com](http://www.semtech.com)



[mygennum.com](http://mygennum.com)