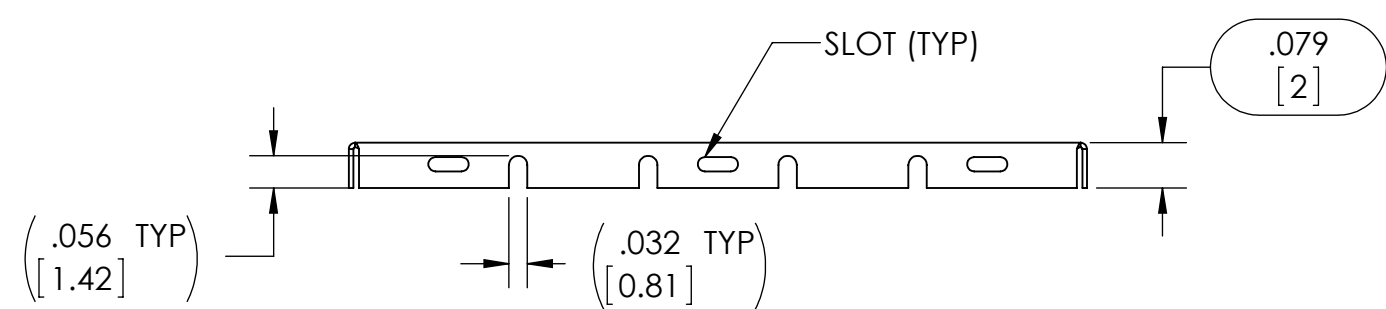
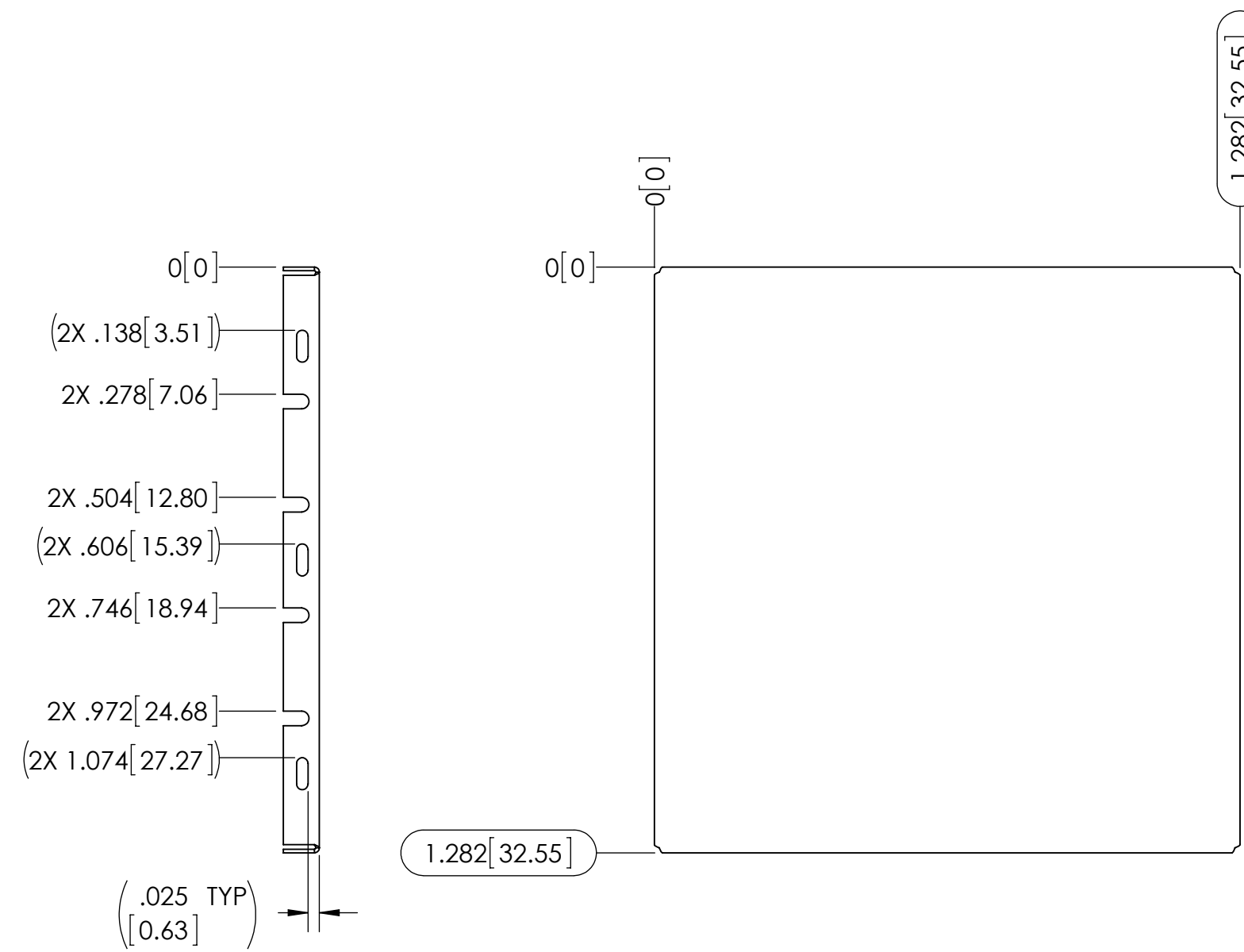
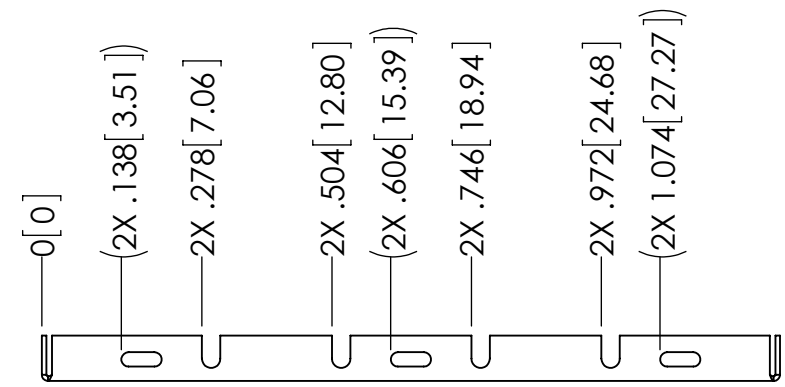
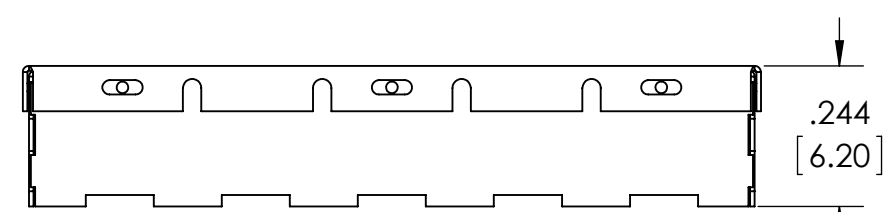


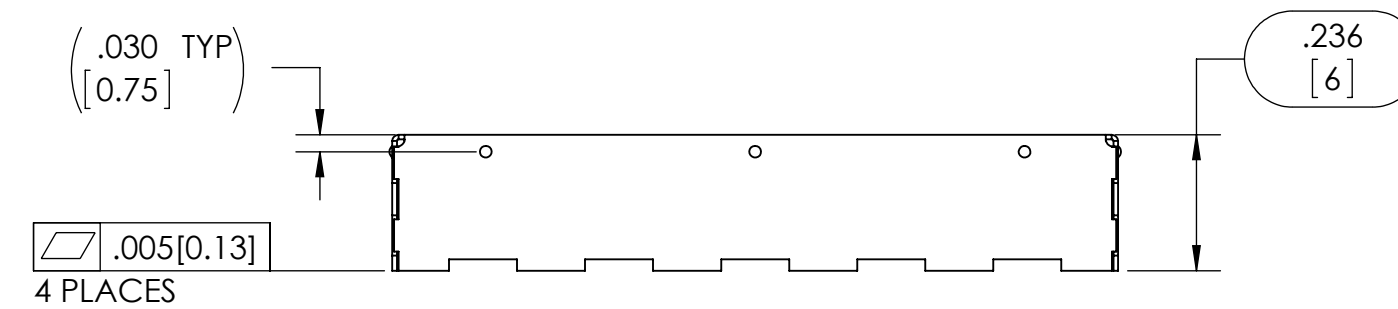
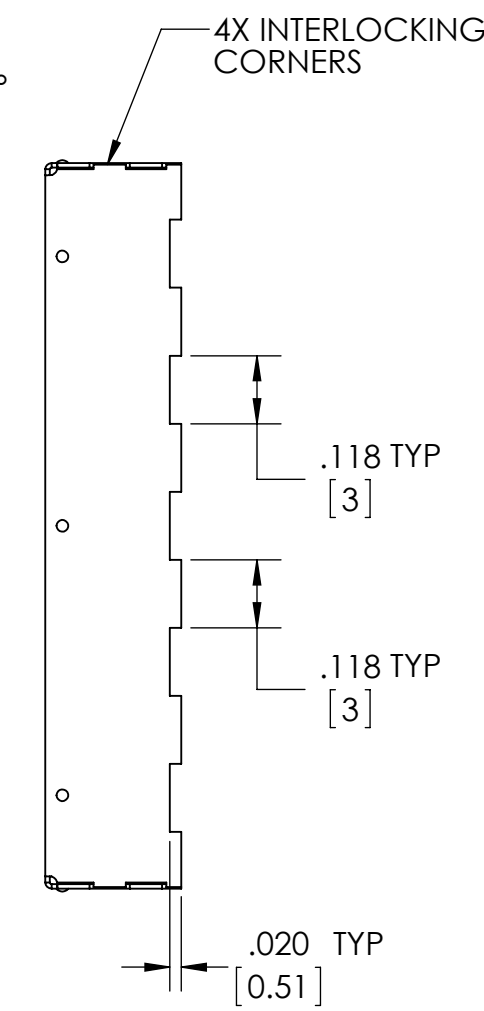
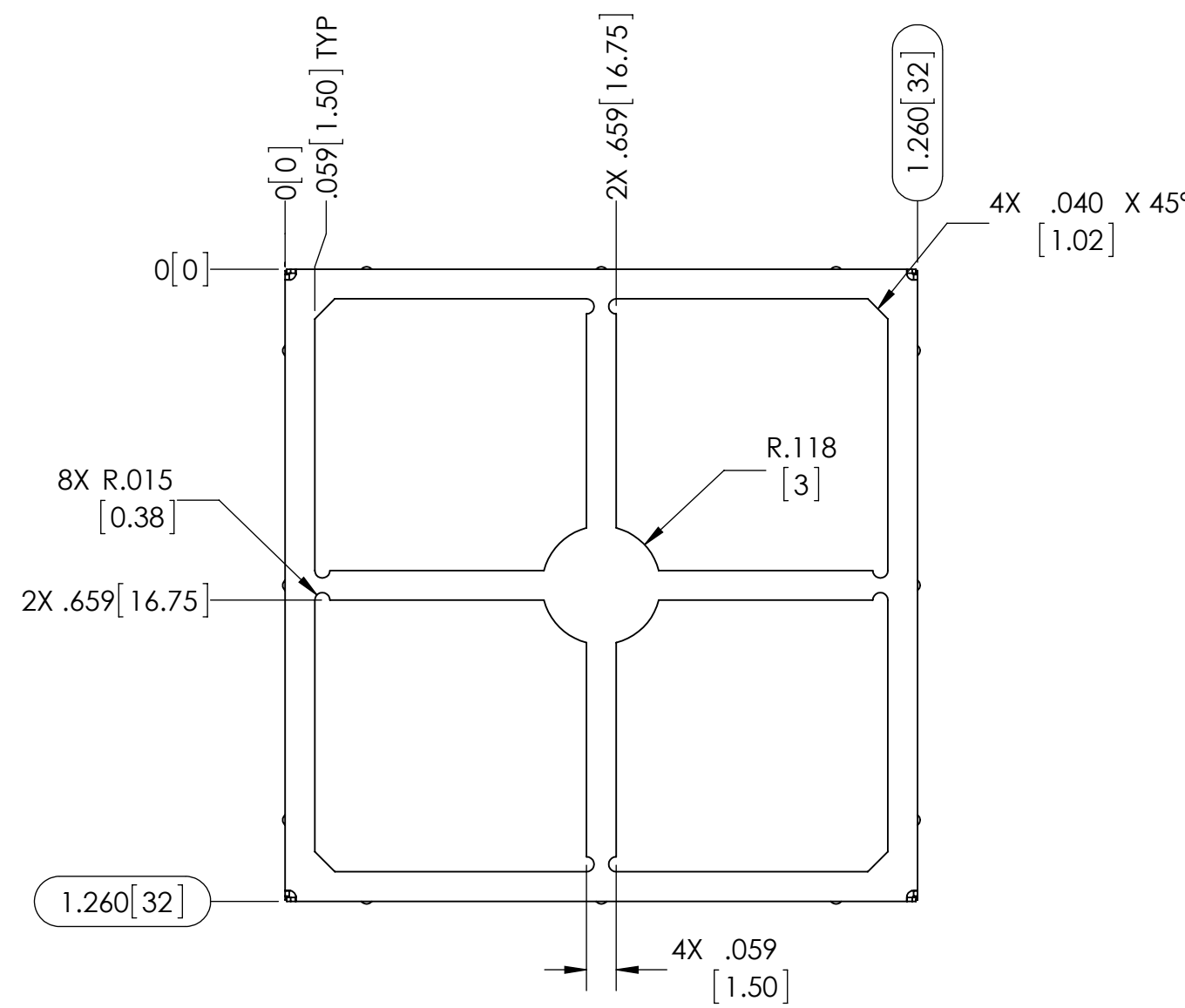
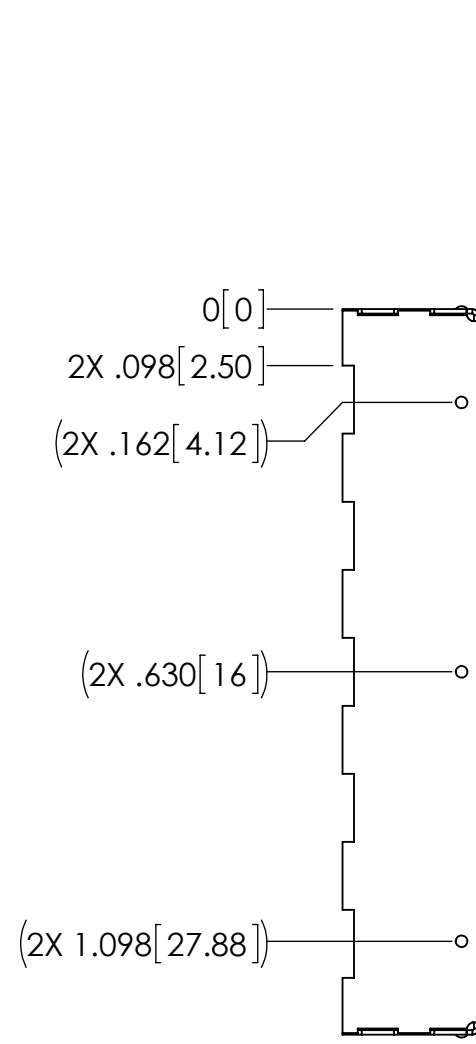
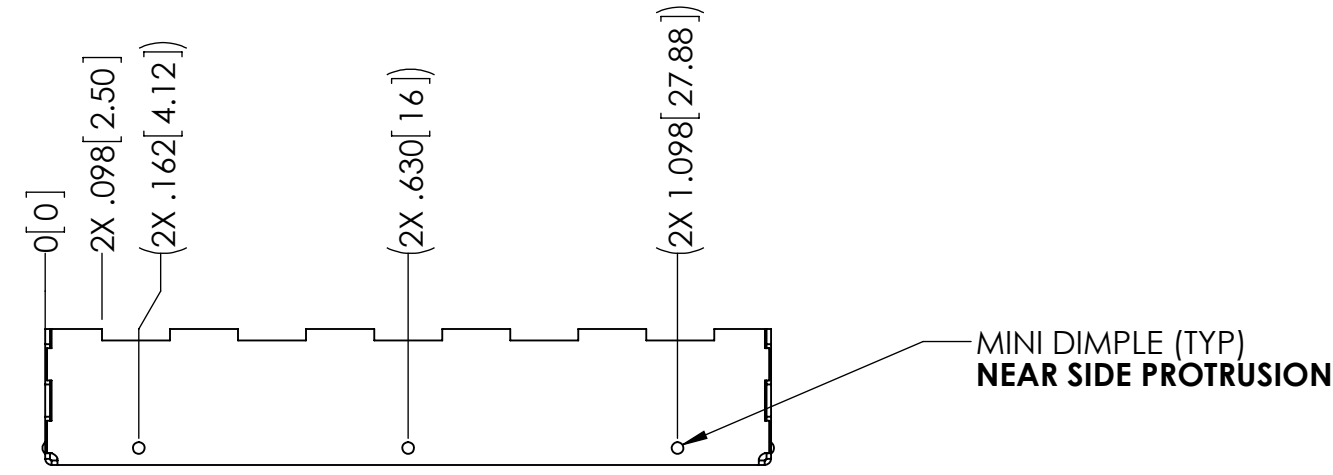
NOTES:  
 1. ASSURE ASSEMBLY CAPABILITY BY MATCHING WITH MATING PART  
 2. DIMENSIONS IN [ ] ARE IN MILLIMETERS



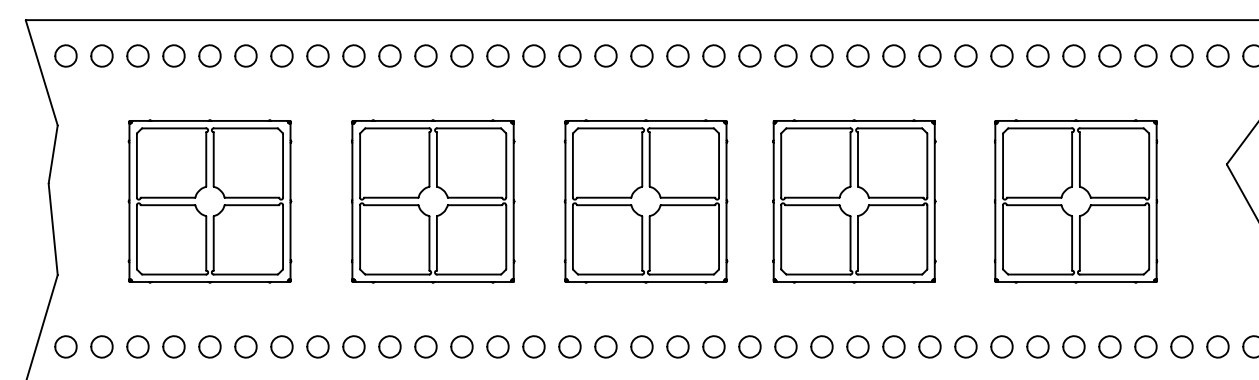
FORMED COVER



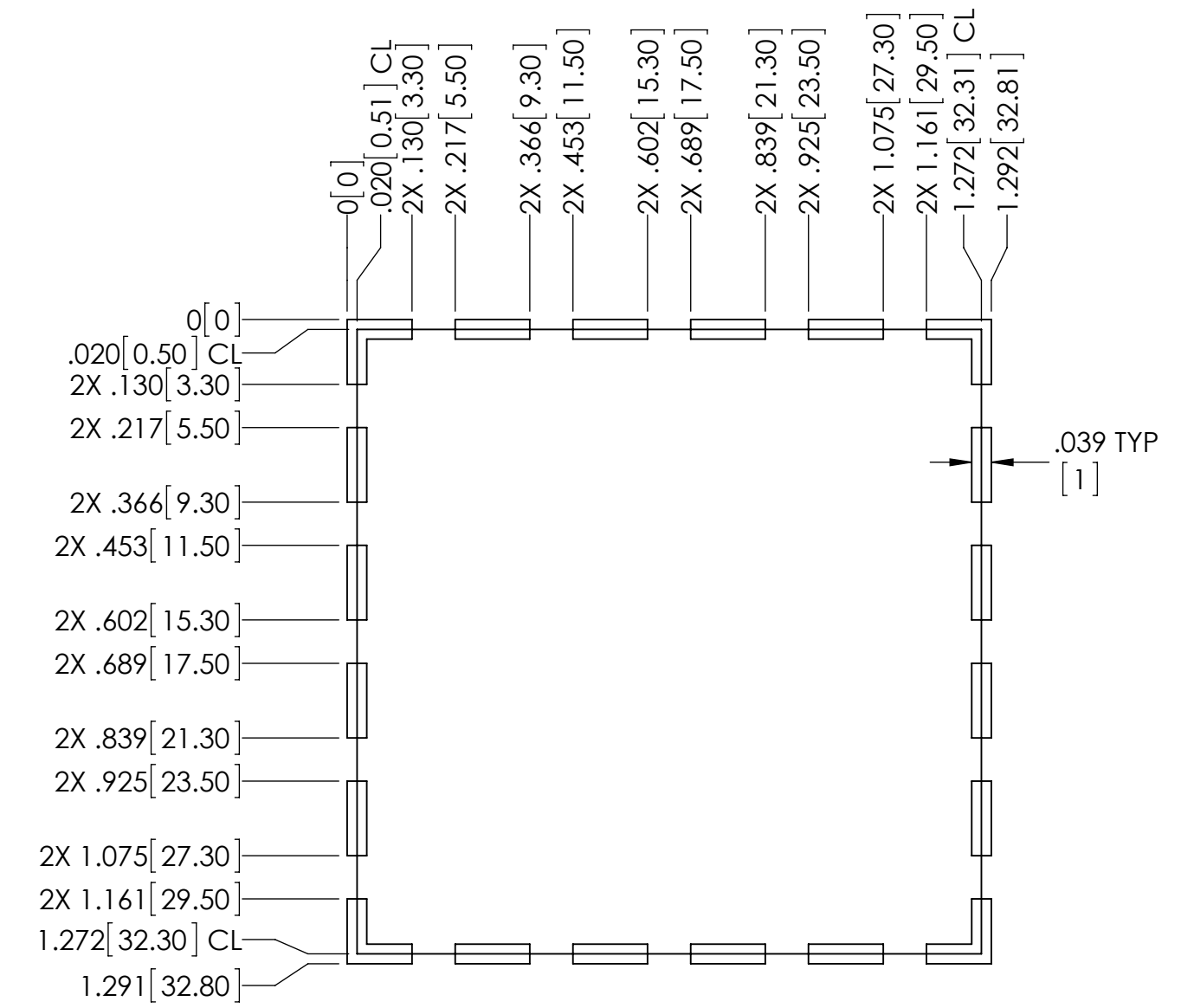
ASSEMBLY



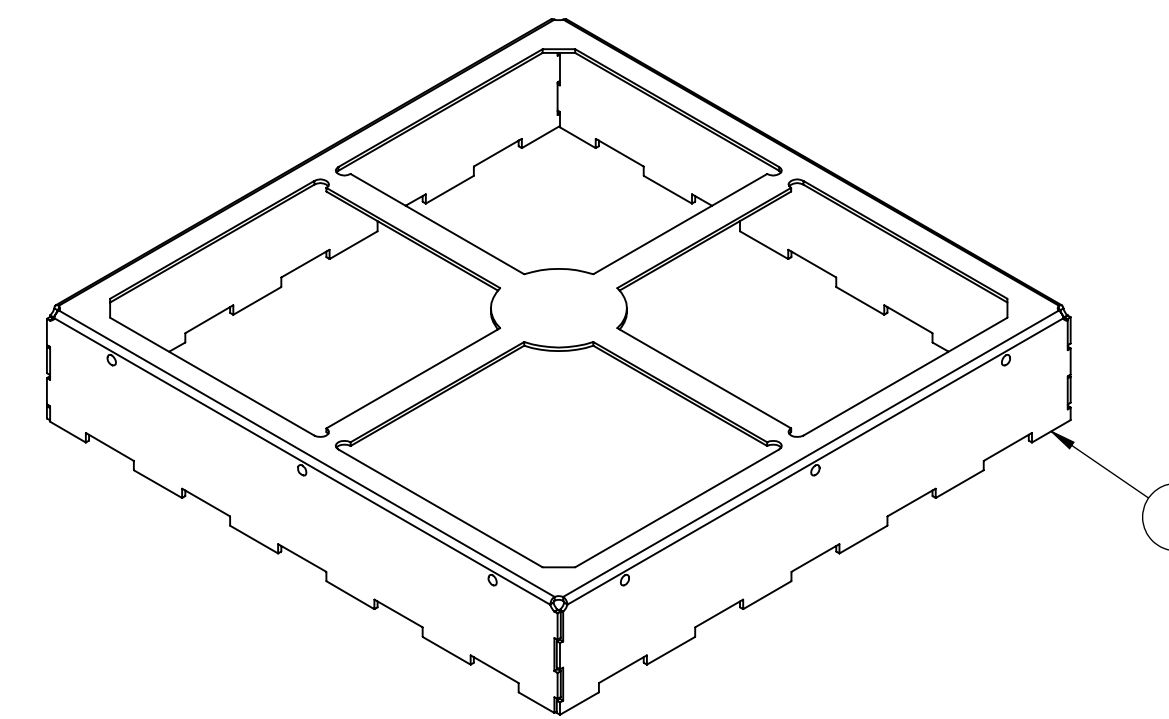
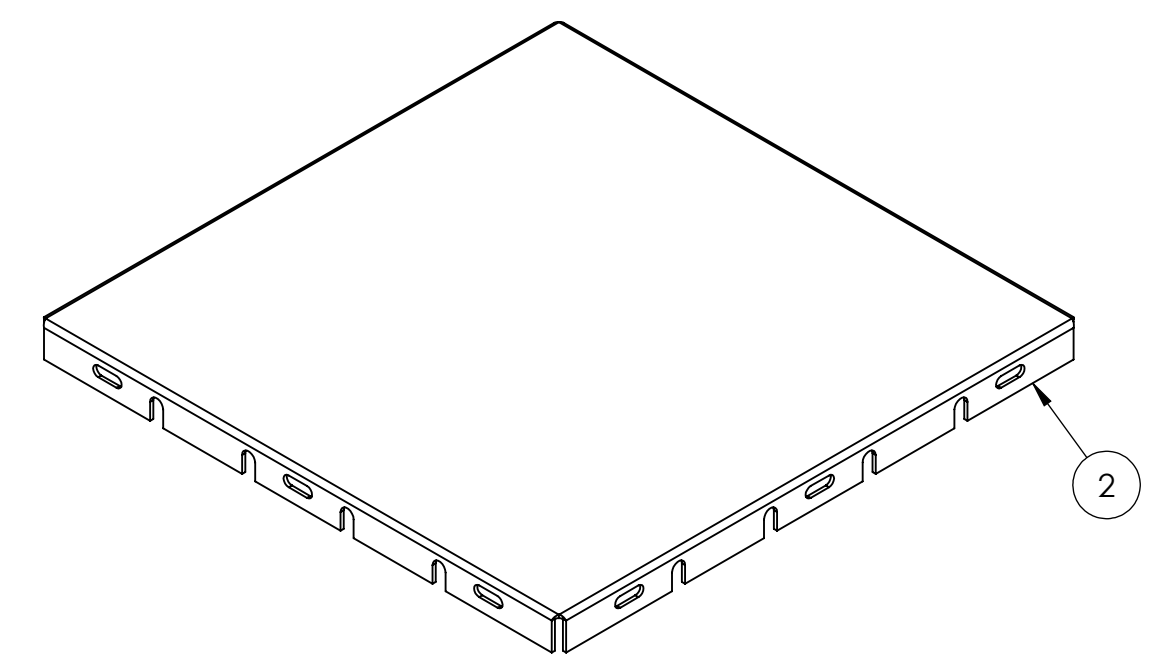
FORMED FRAME



CARRIER TAPE

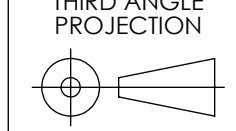


TRACE PATTERN



ITEM NO.	PART NUMBER	DESCRIPTION	QTY.
1	SMS-404F	FRAME	1
2	SMS-404C	COVER	1

UNLESS OTHERWISE SPECIFIED:  
 - ALL DIMENSIONS ARE IN INCHES  
 - PART SHALL BE FREE OF BURRS AND SHARP EDGES  
 - ALL DIMENSIONS SHOWN APPLY BEFORE PLATING AND COATINGS  
 - ROHS COMPLIANT PER EU DIRECTIVE 2011/65/EU  
 - POI = POINT OF INTERSECTION



DRAWN BY: ACS 2015-04-16  
 APPROVED BY:

TITLE: SURFACE MOUNT SHIELD  
 SIZE: D DWG. NO.: SMS-404 REV: A

MATERIAL: .008[0.20] - PRE TIN STEEL

SCALE: 3:1 CAGE CODE: 4J674 SHEET: 1 OF 1

CARRIER TAPE SPECIFICATIONS						
PART NUMBER	DESCRIPTION	OVERALL DIMENSIONS	OVERALL HEIGHT	CARRIER TAPE WIDTH	CARRIER TAPE PITCH	PARTS PER REEL
SMS-404F	FRAME	1.260 X 1.260 [32.00 X 32.00]	.236 [6.00]	44 mm	36 mm	225
SMS-404C	COVER	1.282 X 1.282 [32.55 X 32.55]	.079 [2.00]	N/A	N/A	BULK PACK

THIS DOCUMENT CONTAINS PROPRIETARY INFORMATION OWNED BY LEADERTECH. IT IS NOT TO BE REPRODUCED, COPIED, OR DISCLOSED IN WHOLE OR IN PART FOR ANY PURPOSE INCLUDING DESIGN, MANUFACTURE OR PROCUREMENT WITHOUT THE WRITTEN PERMISSION OF LEADERTECH. LEADERTECH DOES NOT GUARANTEE OR WARRANT THE PERFORMANCE CHARACTERISTICS.