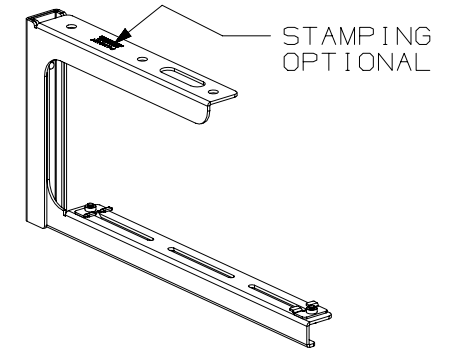
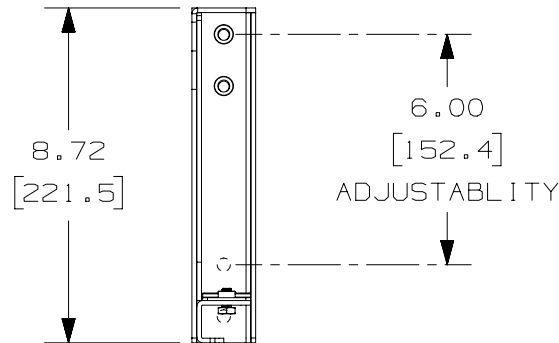
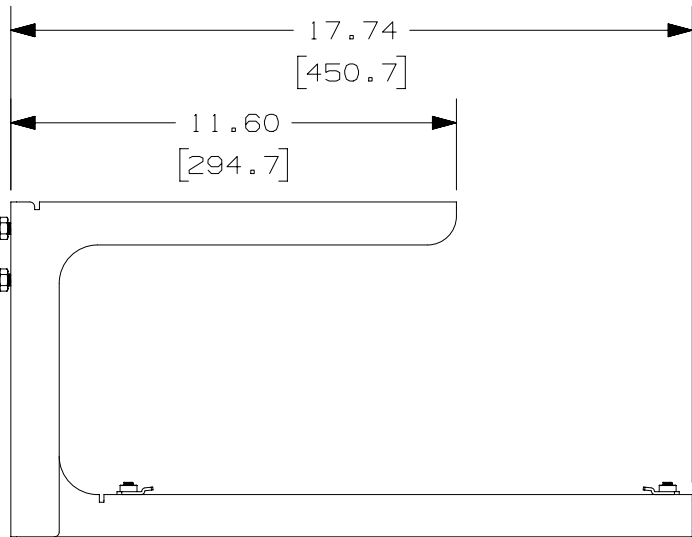
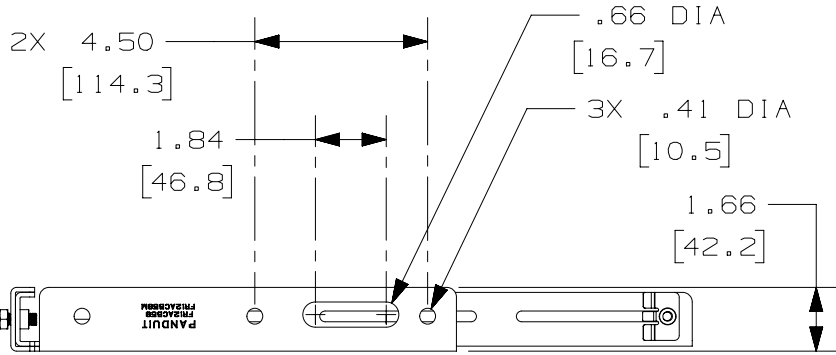


THIS COPY IS PROVIDED ON A RESTRICTED BASIS AND IS NOT TO BE USED IN ANY WAY DETRIMENTAL TO THE INTERESTS OF PANDUIT CORP.



PANDUIT PART NUMBER	WEIGHT
FR12ACB58 FR12ACB58M	4.41 LB/EACH (1998g/EACH)

NOTES:

- SEE CURRENT CATALOG FOR ADDITIONAL PART SUFFIXES TO INDICATE PACKAGE QUANTITY.
- THE FIBERRUNNER 12x4 QUIKLOCK ADJUSTABLE "C" BRACKET IS USED TO SUPPORT THE FIBERRUNNER 12x4 CABLE ROUTING SYSTEM FROM A SECTION OF NEW 5/8" (M16) THREADED ROD (NOT INCLUDED) OR CAN BE DIRECTLY MOUNTED TO THE CEILING.
- THE FIBERRUNNER 12x4 QUIKLOCK ADJUSTABLE "C" BRACKET INCLUDES:
ONE (1) BRACKET ASSEMBLY,
TWO (2) 5/8-11 HEAVY HEX NUTS (FR12ACB58 ONLY),
TWO (2) M16x2 HEX NUTS (FR12ACB58M ONLY),
TWO (2) 5/8 HELICAL SPRING LOCKWASHERS,
ONE (1) 1/4-20 T-BOLT,
ONE (1) 1/4-20 HEX KEPS LOCK NUT
- FINISH COLOR: BLACK (EXCEPT HARDWARE)
- DIMENSIONS IN PARENTHESES ARE IN METRIC.

TITLE
FIBERRUNNER 12x4 QUIKLOCK ADJUSTABLE "C" BRACKET - 5/8" (M16) THREADED ROD
 CUSTOMER DRAWING

ITEM REVISION NAME
D37797ES/01

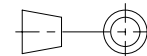
DATASET FILE NAME
D37797ES_DC/01B

UNLESS OTHERWISE SPECIFIED, DIMENSIONAL TOLERANCES ARE:



MATERIAL:
N/A

DRAWING NUMBER:
37797-101



THIRD ANGLE PROJECTION

REV	DATE	BY	CHK	APR	DESCRIPTION	ECN
01B	9/2/19	MEX-JAGC	FWI	FWI	F. "STAMPING OPTIONAL" LABEL ADDED SEE PREVIOUS REVISION FOR HISTORY	V09002CN/00

DRAWN BY	DATE	CHK	SCALE	SHT 1 OF 1	SIZE
JHNU	5/24/01	HIW	NONE	SHT 1 OF 1	A

D10100DA/20