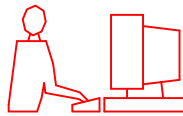
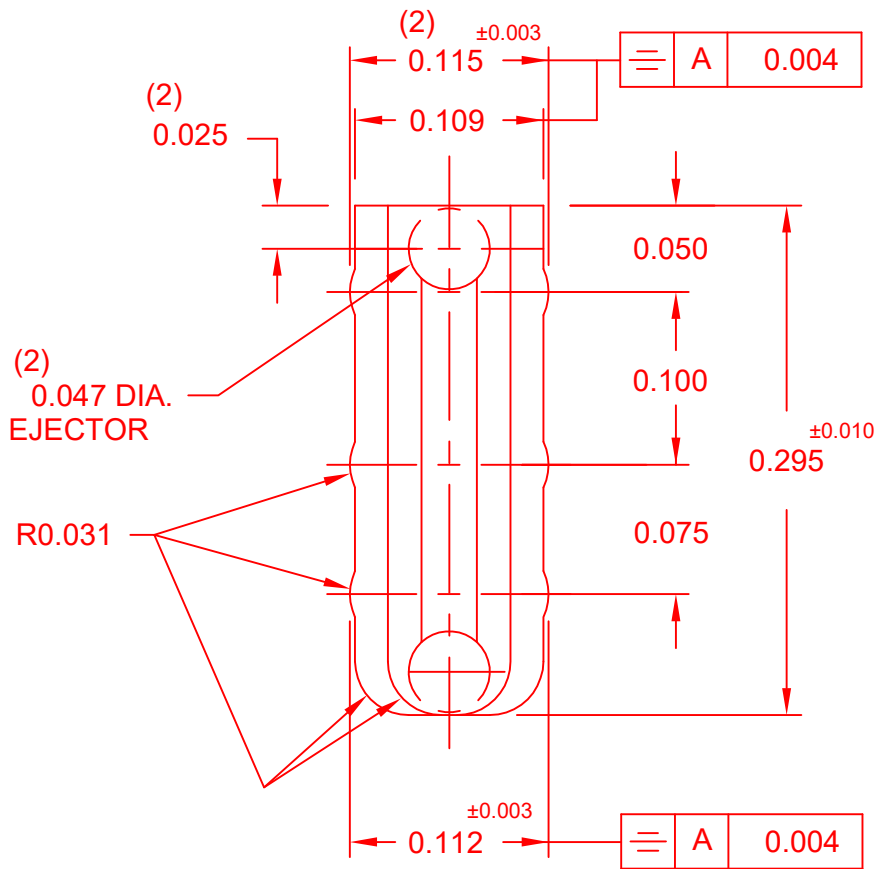
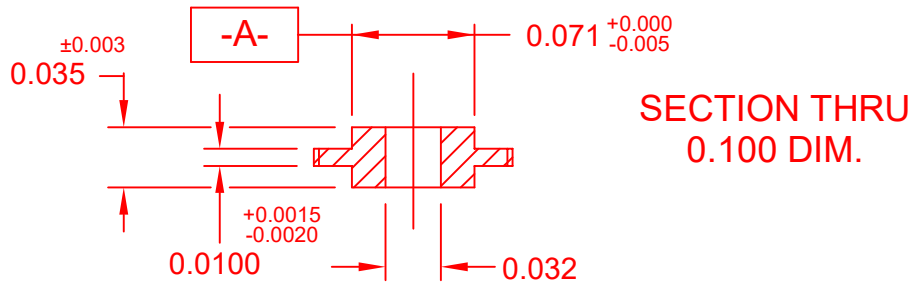


THIS IS A C.A.D. GENERATED DRAWING
DO NOT MAKE MANUAL REVISIONS TO MASTER.



* UNLESS OTHERWISE SPECIFIED TOLERANCES
ON DECIMAL IS:
FRACTION $\pm 1/32$ 4 PLACE ± 0.001
2 PLACE ± 0.01 5 PLACE ± 0.00050
3 PLACE ± 0.005 6 PLACE ± 0.000020

ISSUE NUMBER	
RE-DRAWN F.BRIONES DEC.8/97	!
341-240-318 DELETED F.BRIONES NOV.16/12	1
341-240-317 DELETED RESTORE 341-240-318 RED TO NATURAL COLOR N.B. JUL.21/21	1



- 1- MATERIAL: NYLON 6/6 COLOR NATURAL 30% GLASS FILLED.
- 2- MOLDED PART CONFORM TO EDAC SPEC. 110-0211.

~~PART NUMBER: 341-240-317 (AS MOULDED NOT DYED)~~
PART NUMBER: 341-240-318 (NATURAL COLOR)

POLARIZING KEY

ACAD REFERENCE NO. 341-240-001	
DRAWN: F.BRIONES	DATE: DEC.8/97
CHECKED: R.S.M.	DATE: JUL.22/21
SCALE: (IN C.A.D. 1:1)	SHEET 1 OF 1
DRAWING NUMBER 341-240-001	ISSUE 11



THESE DRAWINGS AND SPECIFICATIONS ARE THE PROPERTY OF EDAC INC., AND SHALL NOT BE REPRODUCED, OR COPIED OR USED AS THE BASIS FOR THE MANUFACTURE OR SALE OF APPARATUS