

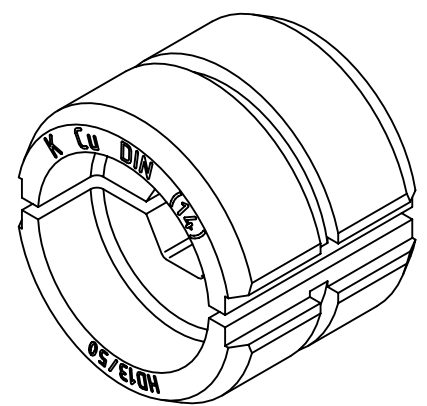
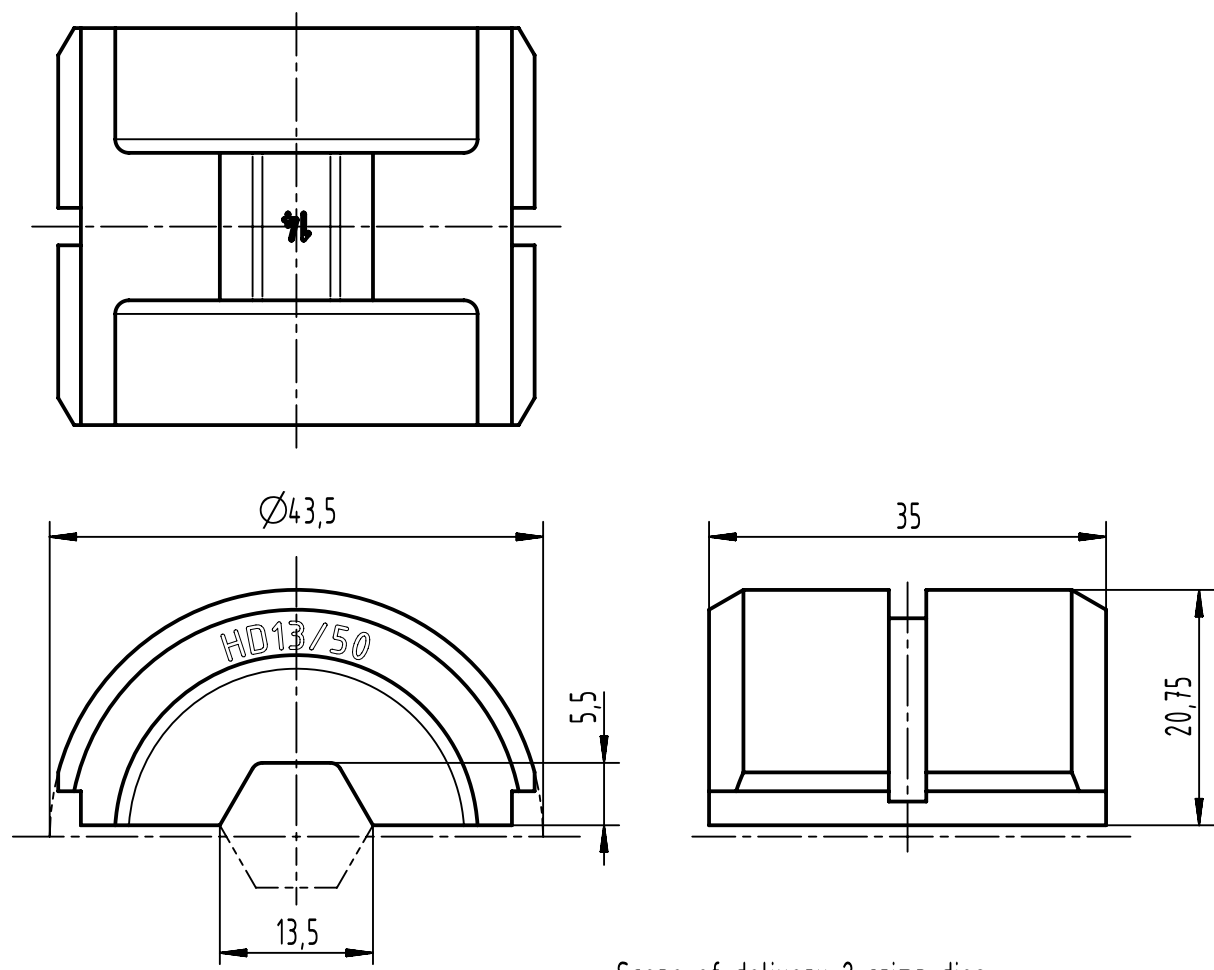
1 2 3 4 5 6

A

B

C

D



Scope of delivery 2 crimp dies

	All Dimensions in mm Original Size DIN A4		Scale 1.5:1	Free size tol.		Ref.		
						Sub.		
	All rights reserved		Created by HOLLERT	Inspected by RIEPE	Standardisation RUETERA	Date 2021-01-08	State Final Release	
	Department EL PD		Title Crimp die 50mm ² for 120 kN tool				Doc-Key / ECM-Nr. 100587219/UGD/002/C 500000186965	
HARTING D-32339 Espelkamp			Type TB	Number 09 99 000 0866			Rev. C	Page 1/1