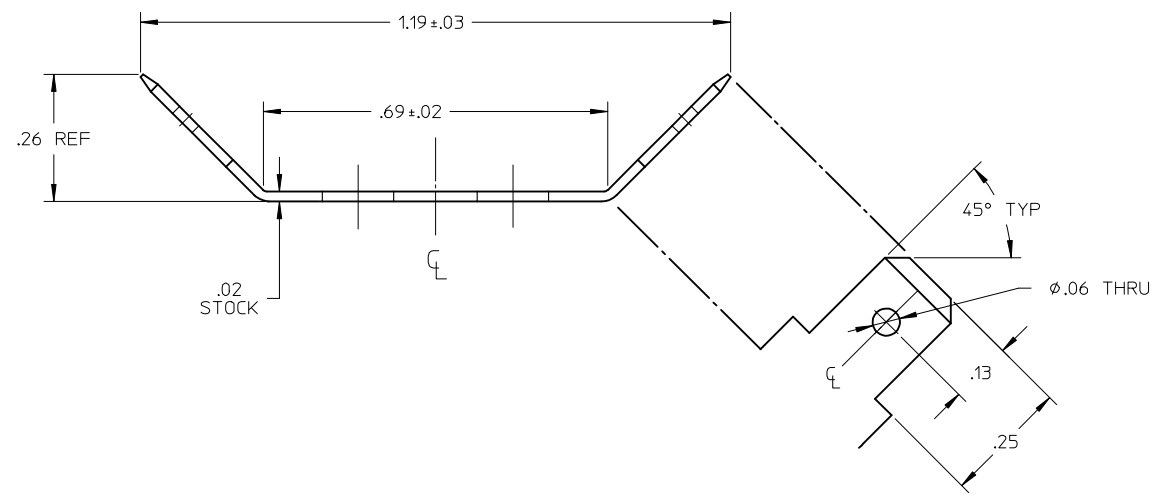
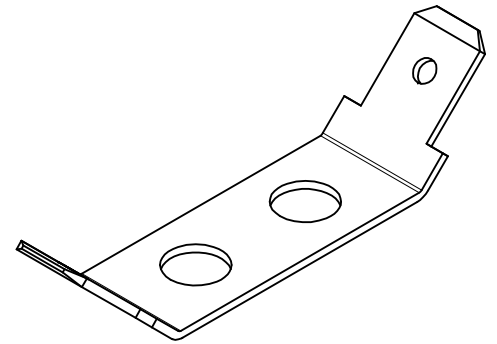
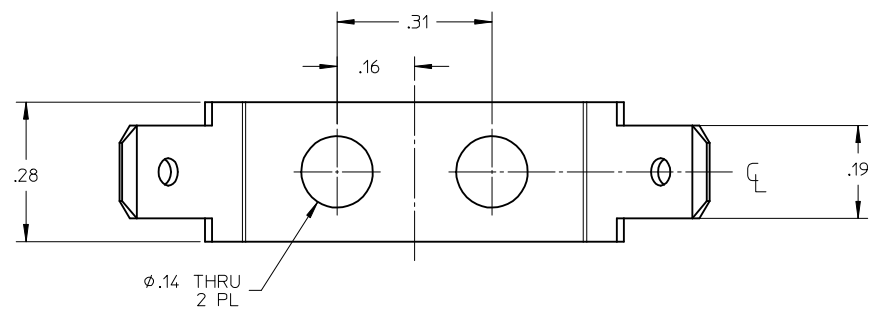


MATERIAL NO.	ENGINEERING NO.	DESCRIPTION	MATERIAL	FINISH
380020166	1411	TERMINAL, FT, SLSL	BRASS	TIN OVER COPPER PLATED



RELEASED EC NO: IPC2016-0008 DRAWN: SVMURTHY 2015/06/30 CHKD: RSTONE 2015/06/30 APPR: JFMURPHY 2016/07/11	DESCRIPTION A	QUALITY SYMBOLS	GENERAL TOLERANCES (UNLESS SPECIFIED)	DIMENSION STYLE	SCALE	DESIGN UNITS	THIRD ANGLE PROJECTION																		
		$\nabla F/0$ $\nabla E/0$ $\nabla D/0$	<table border="1"> <thead> <tr> <th></th> <th>mm</th> <th>INCH</th> </tr> </thead> <tbody> <tr> <td>4 PLACES</td> <td>$\pm .---$</td> <td>\pm</td> </tr> <tr> <td>3 PLACES</td> <td>\pm</td> <td>$\pm .005$</td> </tr> <tr> <td>2 PLACES</td> <td>± 0.13</td> <td>$\pm .01$</td> </tr> <tr> <td>1 PLACE</td> <td>± 0.3</td> <td>$\pm .---$</td> </tr> <tr> <td>0 PLACE</td> <td>$\pm .---$</td> <td>$\pm .---$</td> </tr> </tbody> </table>		mm	INCH	4 PLACES	$\pm .---$	\pm	3 PLACES	\pm	$\pm .005$	2 PLACES	± 0.13	$\pm .01$	1 PLACE	± 0.3	$\pm .---$	0 PLACE	$\pm .---$	$\pm .---$	INCH ONLY	4:1	INCH	
			mm	INCH																					
		4 PLACES	$\pm .---$	\pm																					
3 PLACES	\pm	$\pm .005$																							
2 PLACES	± 0.13	$\pm .01$																							
1 PLACE	± 0.3	$\pm .---$																							
0 PLACE	$\pm .---$	$\pm .---$																							
	ANGULAR $\pm 2^\circ$ DRAFT WHERE APPLICABLE MUST REMAIN WITHIN DIMENSIONS	DRAWN BY SVMURTHY DATE 2015/06/30 CHECKED BY RSTONE DATE 2015/06/30 APPROVED BY JFMURPHY DATE 2016/07/11	TITLE TERMINAL, FT, SLSL	MATERIAL NO. SEE CHART	DOCUMENT NO. SD-38002-0166	SHEET NO. 1 OF 1																			
THIS DRAWING CONTAINS INFORMATION THAT IS PROPRIETARY TO MOLEX INCORPORATED AND SHOULD NOT BE USED WITHOUT WRITTEN PERMISSION																									