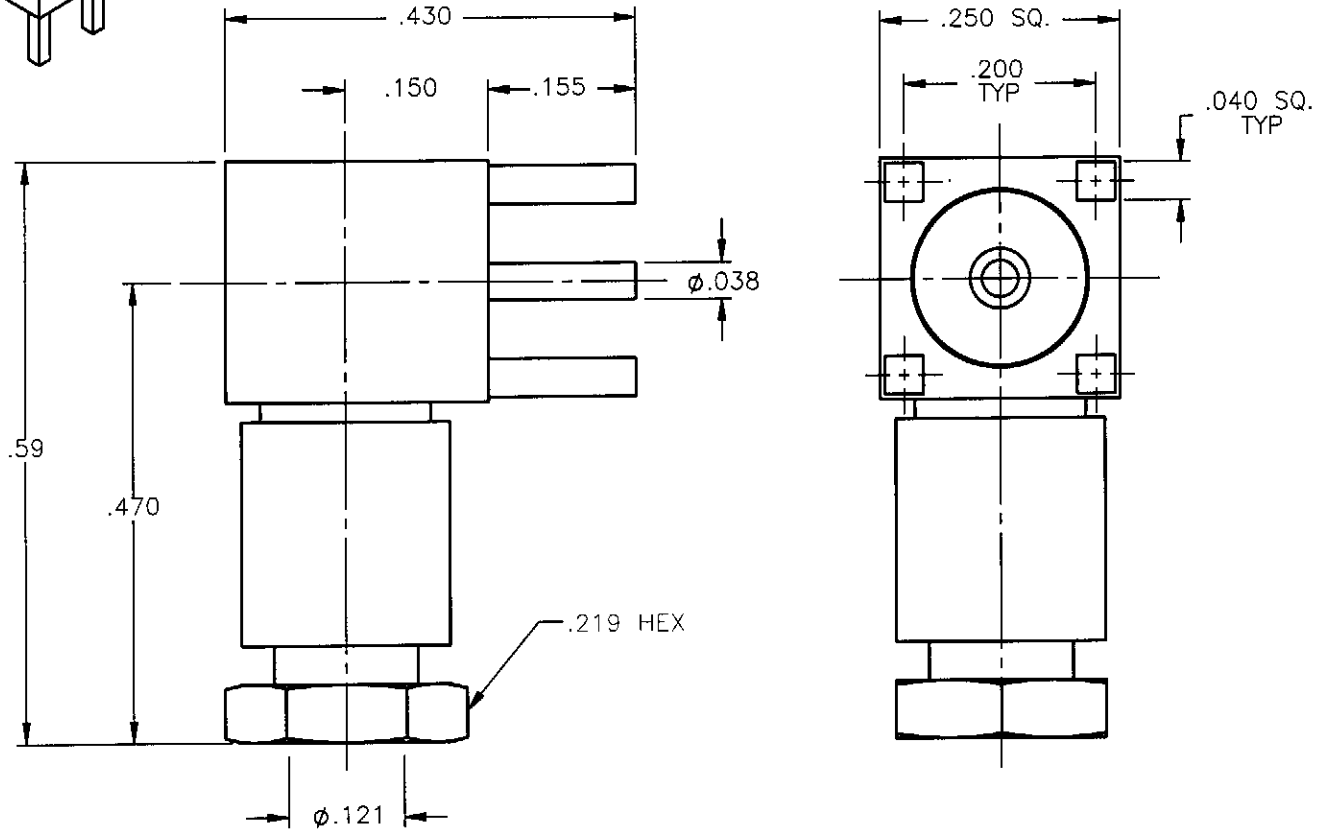


PROPRIETARY INFORMATION
 NOT TO BE RELEASED
 WITHOUT WRITTEN PERMISSION
 FROM AN AUTHORIZED
 REPRESENTATIVE OF
 APPLIED ENGINEERING PRODUCTS

REVISIONS			
REV.	DESCRIPTION	DATE	APPROVED
A	INITIAL RELEASE	02/06/07	D.N.




NOTES:

MATERIALS:

1. INSULATOR = VIRGIN WHITE TEFLON PER ASTM D1710, GRADE 1, TYPE I, CLASS "B".
2. ALL OTHER METAL PARTS = BRASS PER ASTM B16, ALLOY C36000, TEMPER H02.

FINISHES:

1. CONTACT = GOLD PLATE PER MIL-G-45204, TYPE II, CLASS 1, GRADE C, OVER .00010 TO .00020 STRESS FREE SULFAMATE NICKEL PER QQ-N-290.
2. ALL OTHER METAL PARTS = GOLD PLATE PER MIL-G-45204, TYPE II, CLASS 0, GRADE C, OVER .00010 TO .00020 COPPER STRIKE PER MIL-C-14550.

UNLESS OTHERWISE SPECIFIED DIMENSIONS ARE IN INCHES TOLERANCES ON		DWN: D.N.	DATE 02/06/07	 APPLIED ENGINEERING PRODUCTS 104 John W. Murphy Dr. New Haven, CT 06513 <i>a RADIAL company</i>
DECIMAL	ANGLE	CHKD: A.D.M.	DATE 02/06/07	
		APVD: J.M.	DATE 02/06/07	
REFERENCE:		MATERIALS & FINISHES: SEE NOTES		RIGHT ANGLE TERMINATION P.C.B. MOUNT SOLDER/CLAMP TYPE FOR .085 SEMI-RIGID & SIMILAR CABLES
ORIGINATED: D.N. DATE: 02/06/07		SIZE A	FSCM NO. 19505	DWG NO. 8045-1541-010 REV A
		SCALE 5:1	THIRD ANGLE PROJECTION	SHEET 1 OF 1

8045-1541-010