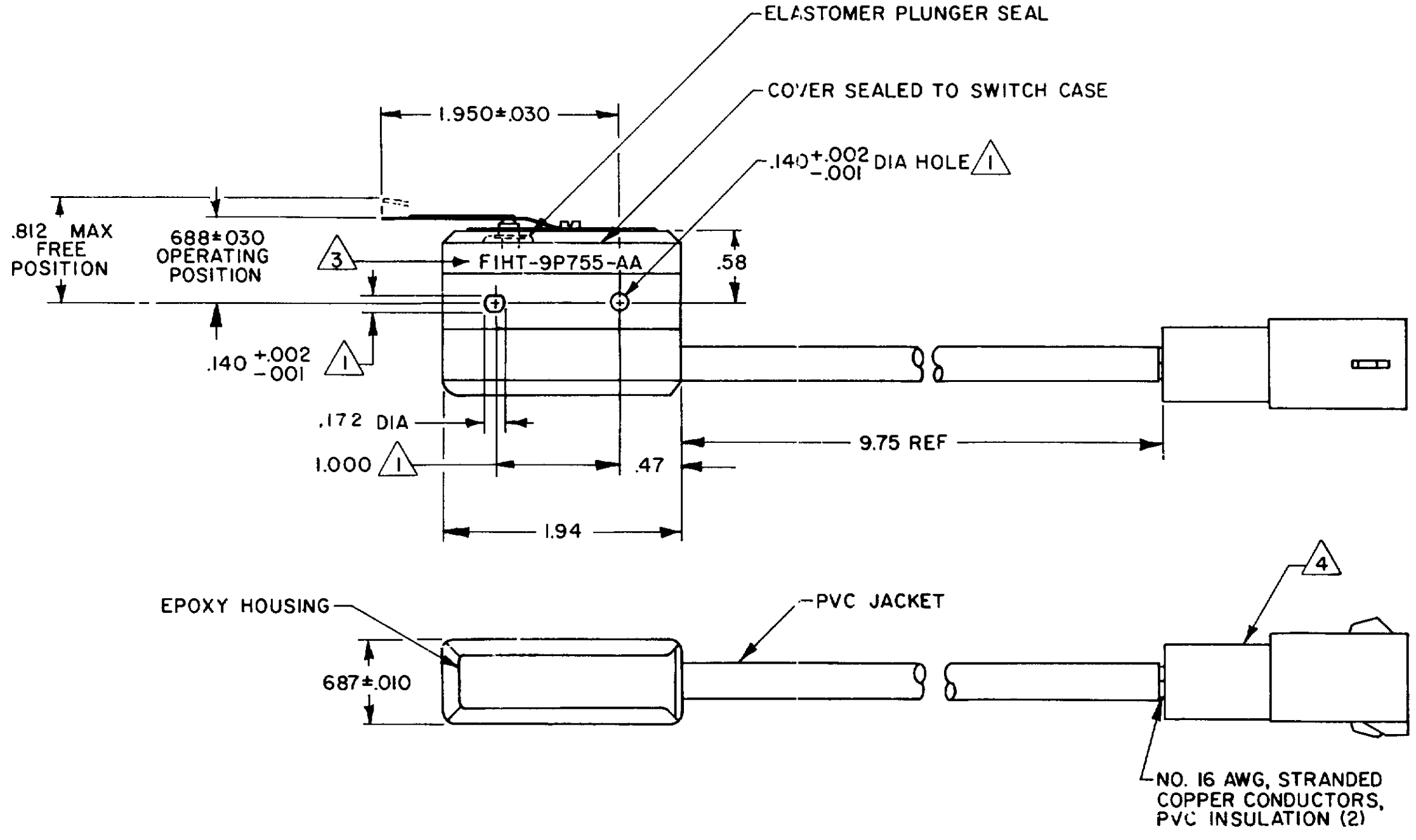


YZ-3RL55517-W103
 M
 DRAWING NUMBER
 X 5
 ISBL
 X 5
 REVISIONS
 A 713 88
 J W 8
 7 JAN 92
 B 071 82
 G J W
 20 MAR 92
 C 00775 90
 D L Y
 10 JUN 94
 D 78836
 D L Y
 8 OCT 94
 B A B 19 MAR 90
 FO-52863-C
 DRAWN
 CHECKED
 4 APR 90
 CHECKED
 RELEASE NO PR-17888-T REPLACES X90304-YZ



- NOTES
- 1 MOUNTING HOLES WILL ACCEPT PINS OR SCREWS OF .139 MAX DIA ON 1.000±.002 CENTERS
 - 2 SEALED CONSTRUCTION PROVIDES SPLASH RESISTANCE
 - 3 FORD PART NUMBER AND LOGO APPEARS ON OPPOSITE SIDE OF SWITCH SHOWN
 - 4 TERMINAL CONNECTOR: PEC-PLASTICS ENG. DIV - CONNECTOR P/N E43B-14A624-CA
ALTAIR INTERNATIONAL - TERMINALS P/N E8EB-14461-HA
AUGAT AUTOMOTIVE-SPACER P/N EOAB-14A468-AA
 - 5 LEADWIRE ORIENTATION: COMMON TERMINAL - BLACK WIRE
NORMALLY OPEN TERMINAL - WHITE WIRE

CHARACTERISTICS	ELECTRICAL DATA
OPERATING FORCE ---- 9 OZ MAX	CONTACT ARRANGEMENT S P N O
RELEASE FORCE ---- 1/2 OZ MIN	
DIFFERENTIAL TRAVEL --- .065 MAX	
DO NOT OVERTRAVEL MORE THAN ---- .060	

THIS DRAWING COVERS A PROPRIETARY ITEM AND IS THE PROPERTY OF MICRO SWITCH, A DIVISION OF HONEYWELL. THIS DRAWING IS NOT TO BE COPIED OR USED WITHOUT THE APPROVAL OF MICRO SWITCH.

MICRO SWITCH
a Honeywell Division

SWITCH - BASIC

CATALOG LISTING
YZ-3RL55517-W103

FED MFG CODE 91929

THIRD ANGLE PROJECTION

SCALE FULL

DO NOT SCALE PRINT

UNLESS OTHERWISE SPECIFIED TOLERANCES ARE

ONE PLACE	(.0)	±.030
TWO PLACE	(.00)	±.015
THREE PLACE	(.000)	±.005
ANGLES		±

WEIGHT