

MICRO SWITCH

A DIVISION OF MINNEAPOLIS-HONEYWELL REGULATOR COMPANY

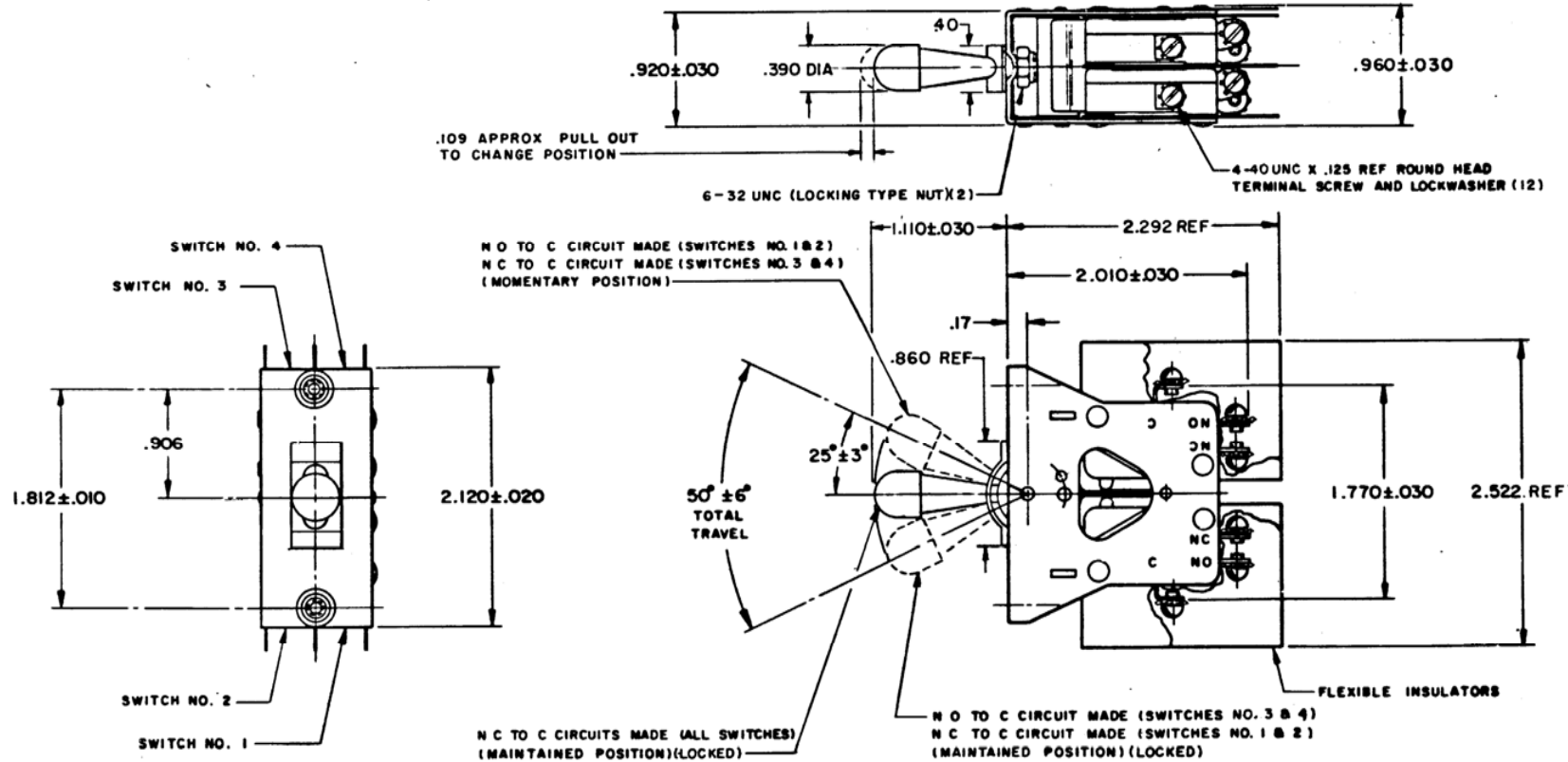
FED. MFR. CODE 91929

**ASSEMBLY-
TOGGLE SWITCH**

CATALOG LISTING
115 AT 2

M

REPLACES
RELEASE NO. PR-5681
CHECK
IONS
5681
R W
76
4181
M N 94
CHECK
4 MARCH 76
C E B
CHECK
3 MARCH 76
K S W



THIS DRAWING COVERS A PROPRIETARY ITEM AND IS THE PROPERTY OF MICRO SWITCH, A DIVISION OF MINNEAPOLIS-HONEYWELL REGULATOR CO. THIS DRAWING IS NOT TO BE COPIED OR USED WITHOUT THE APPROVAL OF MICRO SWITCH.

CHARACTERISTICS	ELECTRICAL DATA	SCALE FULL
	CONTACT ARRANGEMENT S P D T (4)	DO NOT SCALE PRINT
	15 A-1/3 HP-125 OR 250 VAC 1/2 A-125 VDC; 1/4 A-250 VDC	UNLESS OTHERWISE SPECIFIED DIMENSIONS ARE IN INCHES
		TOLERANCES ARE:
		ONE PLACE (.05) 1.000
		TWO PLACE (.005) 2.000
		THREE PLACE (.000) 3.000
		ANGLES 2
		WEIGHT

NOTE:
 1 - UNIT INCLUDES CAT. LIST. V3-201 (4) BASIC SWITCH
 2 - SWITCHES DO NOT NECESSARILY OPERATE SIMULTANEOUSLY