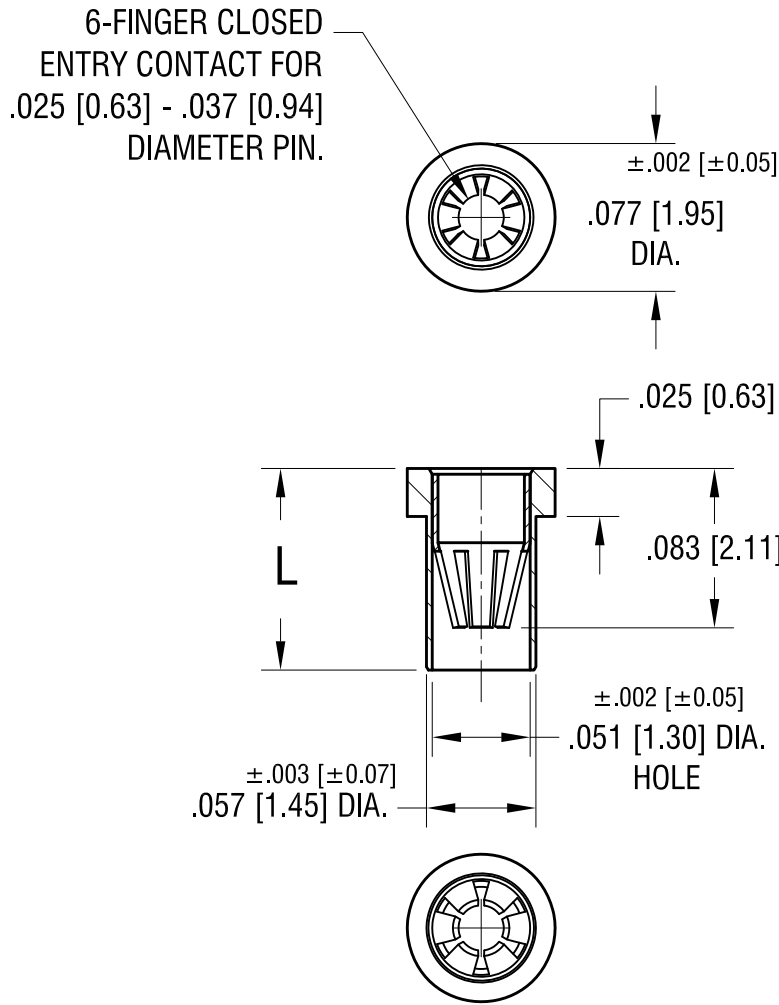


THIS DOCUMENT IS THE PROPERTY OF KEYSTONE ELECTRONICS CORP. AND SHALL NOT BE REPRODUCED, DISTRIBUTED OR USED AS A BASIS FOR MANUFACTURE WITHOUT PRIOR WRITTEN PERMISSION FROM KEYSTONE ELECTRONICS CORP.



NOTES:

- 1. SPRING CONTACT:
 MAT'L - BERYLLIUM COPPER
 FINISH - TIN/LEAD PLATE
 BODY:
 MAT'L - BRASS
 FINISH - TIN/LEAD PLATE
- 2. MOUNTING HOLE DIA.: .061 [1.55]

PART NO.	'L' DIM.
1614-1	.095 [2.41]
1614-2	.105 [2.67]
1614-3	.155 [3.94]

DATE	DESCRIPTION	REV.
5.9.11	CHANGE AS PER ECN 11-060	B
10.24.07	CHANGE AS PER ECN 07-068	A

KEYSTONE ELECTRONICS CORP.			
www.keyelco.com • ASTORIA, N.Y. 11105-2017 • Tel (718) 956-8900			
PART NAME MICRO JACK, SOLDER MOUNT			
MATERIAL AS NOTED			
FINISH AS NOTED		DRN BY BOONE	DATE 2.26.07
		APP'D LN	SCALE 10X
TOLERANCES DECIMAL ANGULAR	INCH [MM] ± .005 [± 0.13] ± 1°	CODE C/M	DWG NO. 1614-
UNLESS OTHERWISE SPECIFIED			