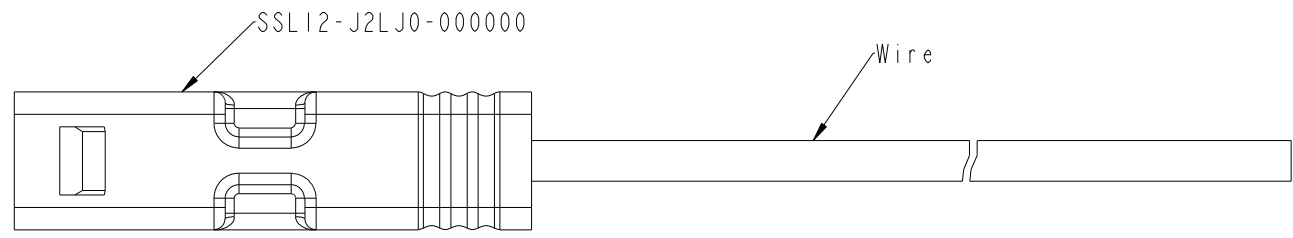
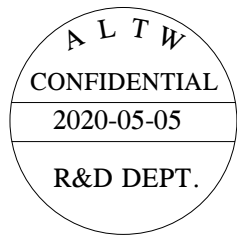
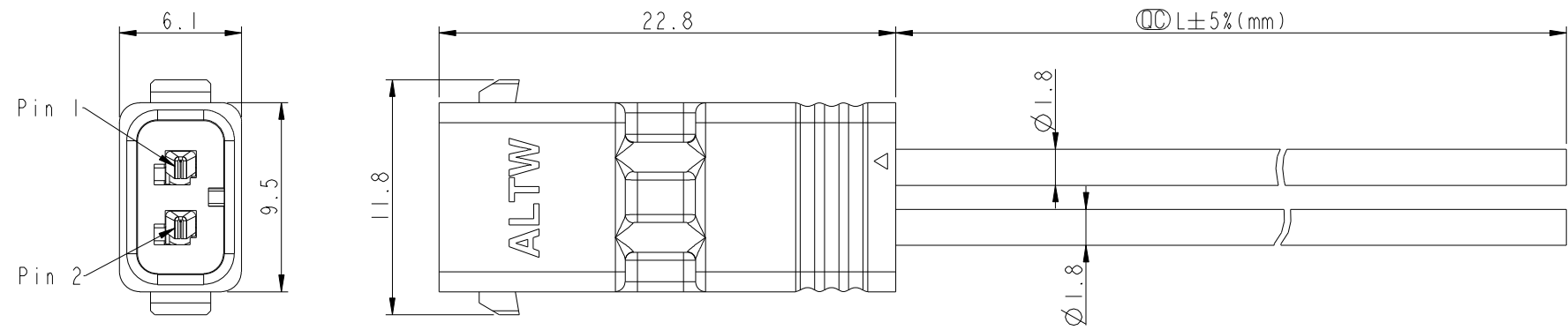


THIS DOCUMENT IS SUBJECT TO CHANGE WITHOUT NOTICE. IT IS CONFIDENTIAL AND A PROPERTY OF Amphenol LTW. DISCLOSURE TO THIRD PARTY HAS TO BE AUTHORIZED BY Amphenol LTW.

REV.	ECN NO.	DATE	SIGN	DESCRIPTION
E	C191496	2019/09/07	NianPing Yu	Add UL Label
F	C192063	2019/12/03	NianPing Yu	$\triangle$ F x1
G	C200559	2020/05/05	NianPing Yu	$\triangle$ G X1



SSL12-J2LJ0-020AXX

- 01: L=100±20mm
- 02: L=200±20mm
- 04: L=400±25mm
- Standard Length is 400mm.
- Wire Length Range(L): 100~9900mm
- 20: 20AWG

- Notes:
- \*  $\text{⌀}$  Important Dimension To Check.
  - \* Waterproof Rate: IP68(mating)  
1M Depth Of Water In 24 Hours.
  - \* Housing: Thermoplastic, UL94V-0, Natural White.
  - \* Terminal: Copper Alloy, Gold Plated on contact area.
  - \* Seals: Silicone, Gray.
  - \* Wire: UL1430 20AWG.
  - \* Current Rating : 5A maximum.
  - \* Voltage Rating: 250V DC/AC maximum.
  - \* Operating Temperature: -40~+105°C.

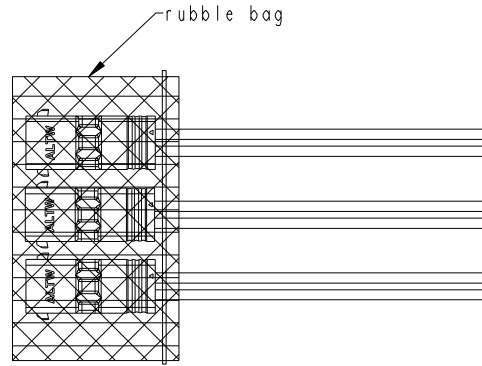
2	Red	紅
1	Brown	棕
Conn.	Wire	
Pin-out		

UNIT:mm		TITLE	SSL1.2 2P WIRE ASS'Y JACK TO OPEN		
TOLERANCE		SCALE	3:1	SIZE	A4
.X	±0.25	REV.	G	WC-REV.	A.8
.XX	±0.1	SHEET 1 OF 2			
.XXX	±0.05	$\text{⌀}$ : Inspection item			
ANGLES	±1°				

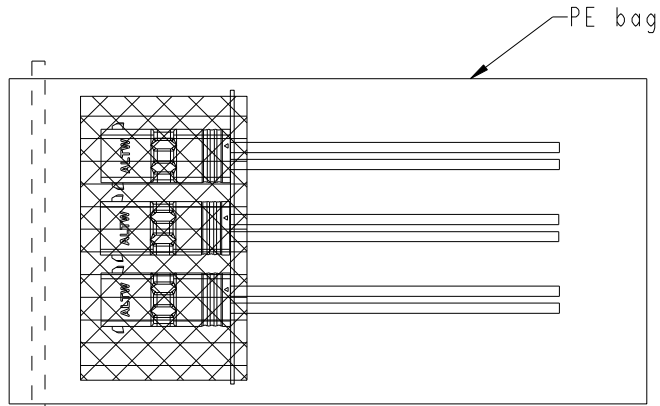
**Amphenol LTW**  
安費諾亮泰企業股份有限公司

ITEM NO	DRWN BY	DATE
DWG NO	NianPing Yu	2019-09-07
SSL12-J2LJ0-020AXX	CHEKED BY	DATE
CUSTOMER	Fisher Wang	2019-09-07
ALTW	APPROVED BY	DATE
	Max Yang	2019-09-07

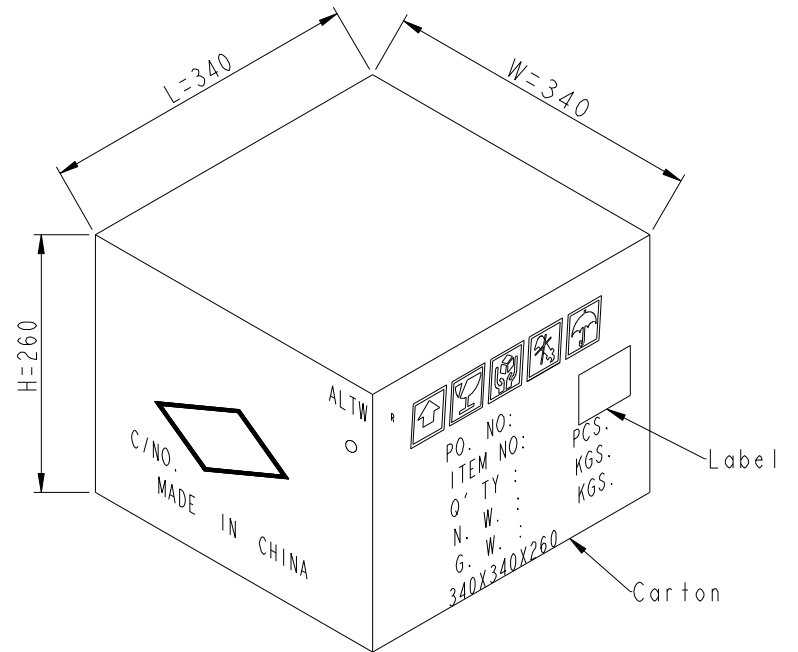
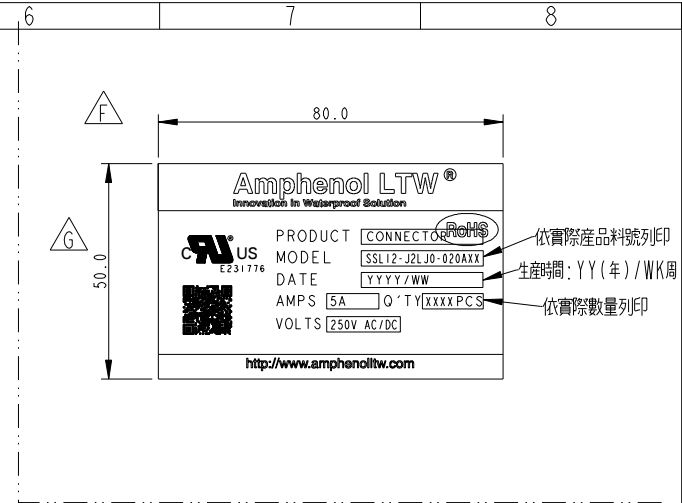
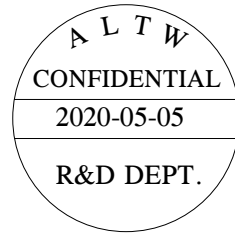
**PACKAGE**



10pcs connector put on rubble bag, and with a cable ties.



100 Pcs Cable into a PE Bag



UNIT:mm		TITLE	SSL1.2 2P WIRE ASS'Y PLUG TO OPEN		
TOLERANCE		SCALE	SIZE	SHEET	OF
±0.5mm		1:1	A4	2	2
REV.	G	WC-REV.	A.5	QC: Inspection item	

**Amphenol LTW**  
安費諾亮泰企業股份有限公司

ITEM NO	DRAWN BY	DATE
DWG NO	CHECKED BY	DATE
CUSTOMER	APPROVED BY	DATE
SSL12-J2LJ0-020AXX	NianPing Yu Fisher Wang	2019-09-07 2019-09-07
ALTW	Max Yang	2019-09-07

THIS DOCUMENT IS SUBJECT TO CHANGE WITHOUT NOTICE. IT IS CONFIDENTIAL AND A PROPERTY OF Amphenol LTW. DISCLOSURE TO THIRD PARTY HAS TO BE AUTHORIZED BY Amphenol LTW.