

## Sidelooker Phototransistor

### PT908-7B-F



#### Features

- Fast response time
- High sensitivity
- Small junction capacitance
- Pb Free
- This product itself will remain within RoHS compliant version
- Compliance with EU REACH
- Compliance Halogen Free (Br < 900ppm, Cl < 900ppm, Br+ Cl < 1500ppm)

#### Descriptions

- PT908-7B-F is a phototransistor in miniature package which is molded in a black plastic with spherical top view lens
- The device is spectrally matched to infrared emitting diode

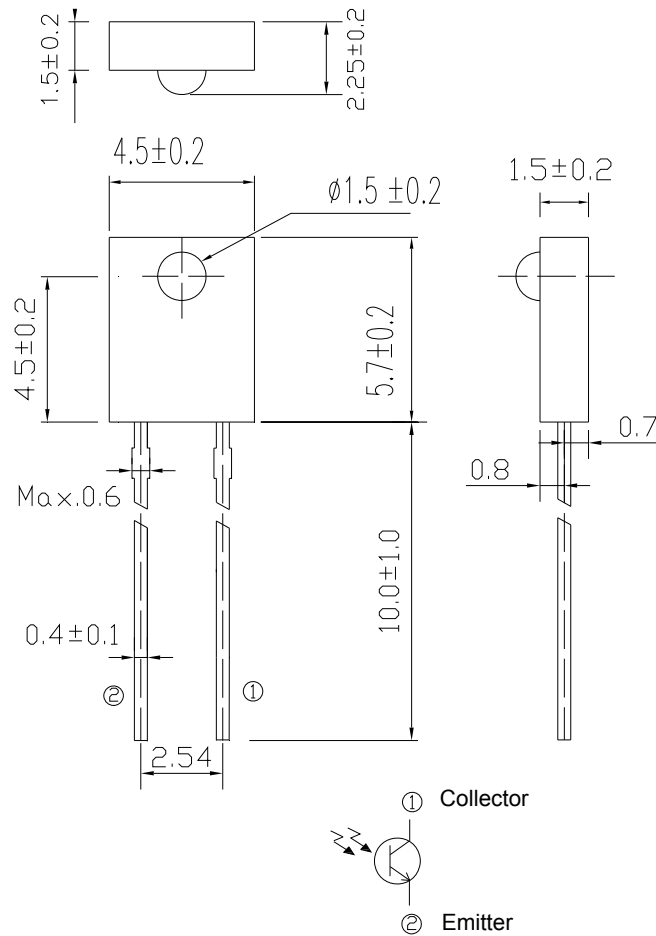
#### Applications

- Optoelectronic switch
- VCR, Video Camera
- Floppy disk drive
- Infrared applied system

#### Device Selection Guide

| Part Category | Chip Material | Lens Color |
|---------------|---------------|------------|
| PT            | Silicon       | Black      |

## Package Dimensions



- Notes:**
1. All dimensions are in millimeters
  2. Tolerances unless dimensions  $\pm 0.3$  mm

## Absolute Maximum Ratings ( $T_a=25^\circ\text{C}$ )

| Parameter   | Symbol    | Rating    | Units            |
|---|-----------|-----------|------------------|
| Collector-Emitter Voltage   | $V_{CEO}$ | 30        | V                |
| Emitter-Collector-Voltage   | $V_{ECO}$ | 5         | V                |
| Collector Current   | $I_C$     | 20        | mA               |
| Operating Temperature   | $T_{opr}$ | -25 ~ +85 | $^\circ\text{C}$ |
| Storage Temperature   | $T_{stg}$ | -40 ~ +85 | $^\circ\text{C}$ |
| Soldering Temperature *1  | $T_{sol}$ | 260       | $^\circ\text{C}$ |
| Power Dissipation at (or below)<br>25 $^\circ\text{C}$ Free Air Temperature | $P_d$     | 75        | mW               |

- Notes:** \*1. Soldering time  $\leq 5$  seconds

**Electro-Optical Characteristics (Ta=25°C)**

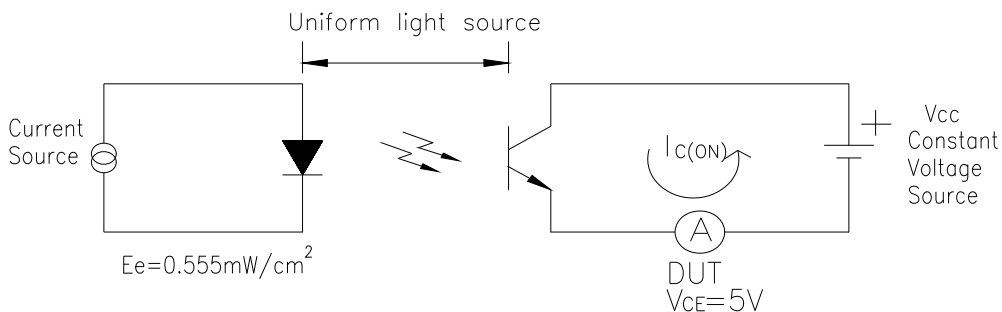
| Parameter                            | Symbol          | Condition                         | Min. | Typ. | Max. | Units   |
|--------------------------------------|-----------------|-----------------------------------|------|------|------|---------|
| Rang of Spectral Bandwidth           | $\lambda_{0.5}$ | ----                              | 740  | --   | 1100 | nm      |
| Wavelength of Peak Sensitivity       | $\lambda_p$     | ----                              | --   | 940  | --   | nm      |
| Collector-Emitter Breakdown Voltage  | $BV_{CEO}$      | $I_C=100\mu A$<br>$E_e=0mW/cm^2$  | 30   | --   | --   | V       |
| Emitter-Collector Breakdown Voltage  | $BV_{ECO}$      | $I_E=100\mu A$<br>$E_e=0mW/cm^2$  | 5    | --   | --   | V       |
| Collector Dark Current               | $I_{CEO}$       | $V_{CE}=20V$<br>$E_e=0mW/cm^2$    | --   | --   | 100  | $\mu A$ |
| Collector-Emitter Saturation Voltage | $V_{CE(sat)}$   | $I_C=2mA$<br>$E_e=1mW/cm^2$       | --   | --   | 0.4  | V       |
| On State Collector Current           | $I_{C(on)}$     | $V_{CE}=5V$<br>$E_e=0.555mW/cm^2$ | 0.80 | --   | 3.06 | mA      |

**Notes:** This bin table is only for reference, not for specific bin shipment.

**Test Method For  $I_{C(on)}$ :**

Condition:  $V_{CE}=5V$   $E_e=0.555mW/cm^2$

Light current test method for PT:



**Typical Electro-Optical Characteristics Curves**

Fig.1 Spectral Sensitivity

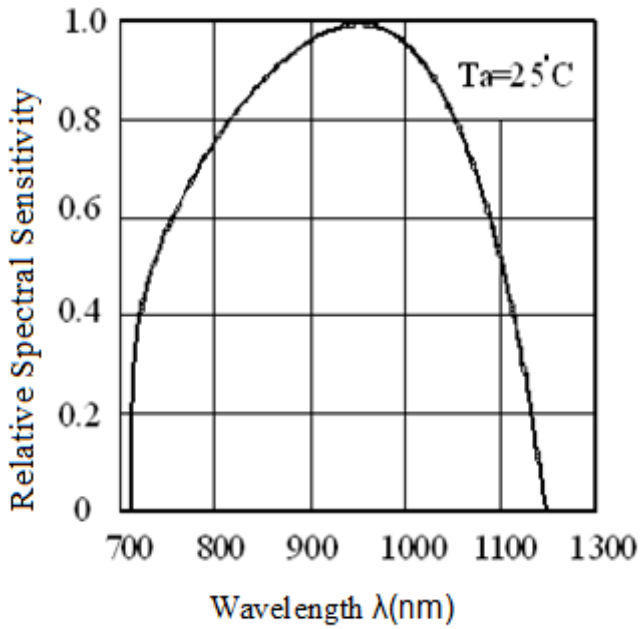


Fig.2 Collector Current vs. Irradiance

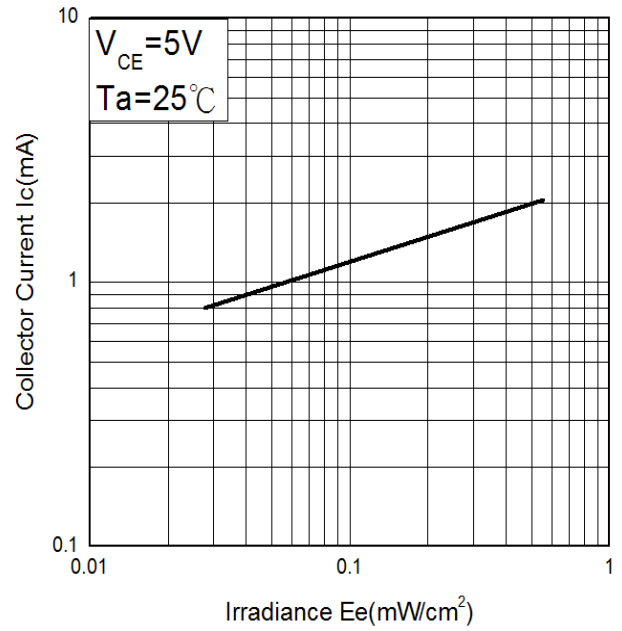
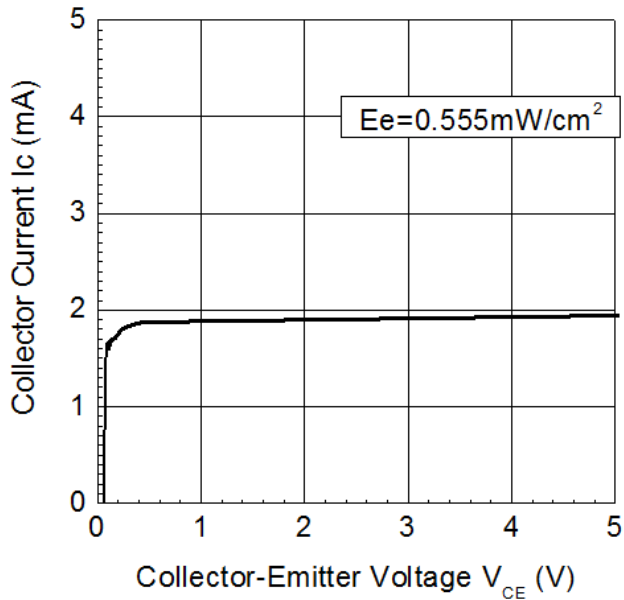


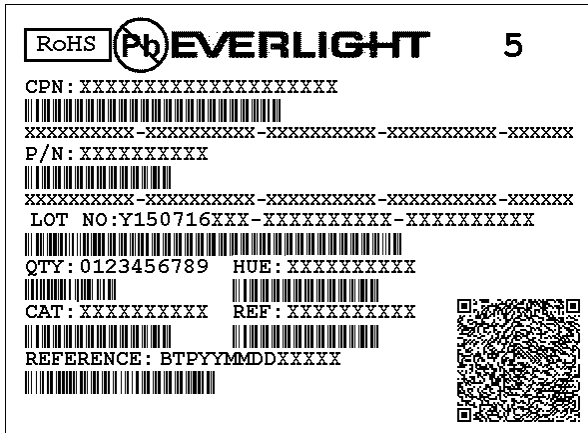
Fig.3 Collector Current vs. Collector-Emitter Voltage



## Packing Quantity Specification

1000 pcs/bag, 10 bags/box  
10 boxes/carton

## Label Form Specification



- CPN: Customer Part Number
- P/N: Part Number
- QTY: Packing Quantity
- CAT: Ranks
- REF: Reference
- LOT No: Lot Number

## Notes

### Lead Forming

1. During lead frame bending, the lead frame should be bent at a distance more than 3mm from bottom of the epoxy.  
Note: Must fix lead frame and do not touch epoxy before bending to avoid Phototransistors broken.
2. Lead forming should be done before soldering.
3. Avoid stressing the Phototransistor package during leads forming. The stress to the base may damage the Phototransistor's characteristics or it may break the Phototransistors.
4. Cut the Phototransistor lead frame at room temperature. Cutting the lead frame at high temperatures may cause failure of the Phototransistors.
5. When mounting the Phototransistors onto a PCB, the PCB holes must be aligned exactly with the lead position of the Phototransistor. If the Phototransistors are mounted with stress at the leads, it causes deterioration of the epoxy resin and this will degrade the Phototransistors.

### Storage

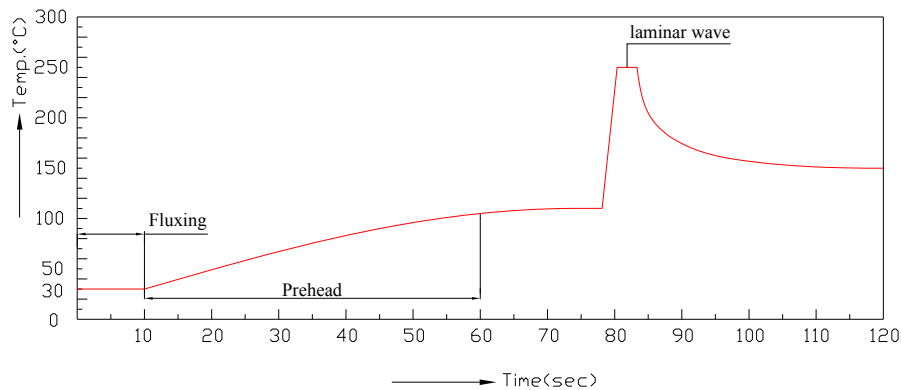
1. The Phototransistors should be stored at 10~30°C and 70%RH or less after being shipped from Everlight and the storage life limits are 3 months. If the Phototransistors are stored for 3 months or more, they can be stored at 10°C~25°C and 20%RH~60%RH for a year in a sealed container with a nitrogen atmosphere. After opening the package, the devices must be stored at 10°C~25°C and 20%RH~60%RH, and suggested to be used within 24 hours or as soon as possible. Besides, suggest that the remaining devices seal in the package bag as soon as possible please.
2. Please avoid rapid transitions in ambient temperature, especially in high humidity environments where condensation can occur.

### Soldering

- Careful attention should be paid during soldering. When soldering, leave more than 3mm from solder joint to epoxy bulb, and soldering beyond the base of the tie bar is recommended.
- Recommended soldering conditions:

| Hand Soldering       |   | DIP Soldering     |  |
|----------------------|---|-------------------|--|
| Temp. at tip of iron | 300°C Max. (30W Max.)                     | Preheat temp.     | 100°C Max. (60 sec Max.)                   |
| Soldering time       | 3 sec Max.                                | Bath temp. & time | 260 Max., 5 sec Max                        |
| Distance             | 3mm Min.(From solder joint to epoxy bulb) | Distance          | 3mm Min. (From solder joint to epoxy bulb) |

- Recommended soldering profile



- Avoiding applying any stress to the lead frame while the Phototransistors are at high temperature particularly when soldering.
- Dip and hand soldering should not be done more than one time
- After soldering the Phototransistors, the epoxy bulb should be protected from mechanical shock or vibration until the Phototransistors return to room temperature.
- A rapid-rate process is not recommended for cooling the Phototransistors down from the peak temperature.
- Although the recommended soldering conditions are specified in the above table, dip or hand soldering at the lowest possible temperature is desirable for the Phototransistors.
- Wave soldering parameter must be set and maintain according to recommended temperature and dwell time in the solder wave.

### Cleaning

Do not clean the Phototransistors by the ultrasonic.

### Heat Management

- Heat management of Phototransistors must be taken into consideration during the design stage of Phototransistor application. The current should be de-rated appropriately by referring to the de-rating curve found in each product specification.
- The temperature surrounding the Phototransistor in the application should be controlled.

### ESD (Electrostatic Discharge)

1. The products are sensitive to static electricity or surge voltage. ESD can damage a die and its reliability.
2. When handling the products, the following measures against electrostatic discharge are strongly recommended:
  - Eliminating the charge
    - Grounded wrist strap, ESD footwear, clothes and floors
    - Grounded workstation equipment and tools
    - ESD table/shelf mat made of conductive materials
3. Proper grounding is required for all devices, equipment, and machinery used in product assembly. Surge protection should be considered when designing of commercial products.
4. If tools or equipment contain insulating materials such as glass or plastic, the following measures against electrostatic discharge are strongly recommended:
  - Dissipating static charge with conductive materials
  - Preventing charge generation with moisture
  - Neutralizing the charge with ionizers

### Other

1. Above specification may be changed without notice. EVERLIGHT will reserve authority on material change for above specification.
2. The graphs shown in this datasheet are representing typical data only and do not show guaranteed values.
3. When using this product, please observe the absolute maximum ratings and the instructions for use outlined in these specification sheets. EVERLIGHT assumes no responsibility for any damage resulting from use of the product which does not comply with the absolute maximum ratings and the instructions included in these specification sheets.
4. These specification sheets include materials protected under copyright of EVERLIGHT. Reproduction in any form is prohibited without the specific consent of EVERLIGHT.
5. This product is not intended to be used for military, aircraft, automotive, medical, life sustaining or life saving applications or any other application which can result in human injury or death. Please contact authorized Everlight sales agent for special application request.