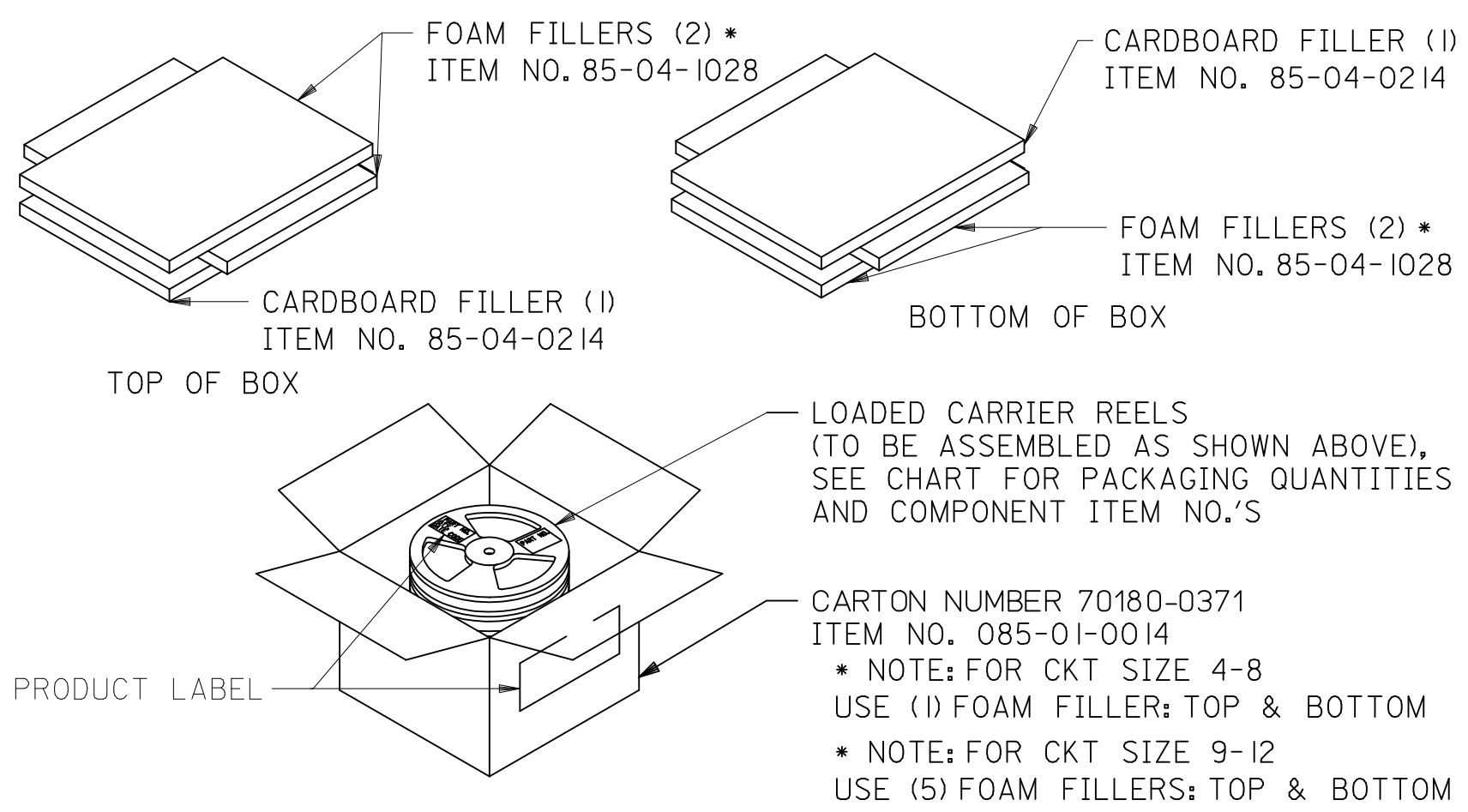
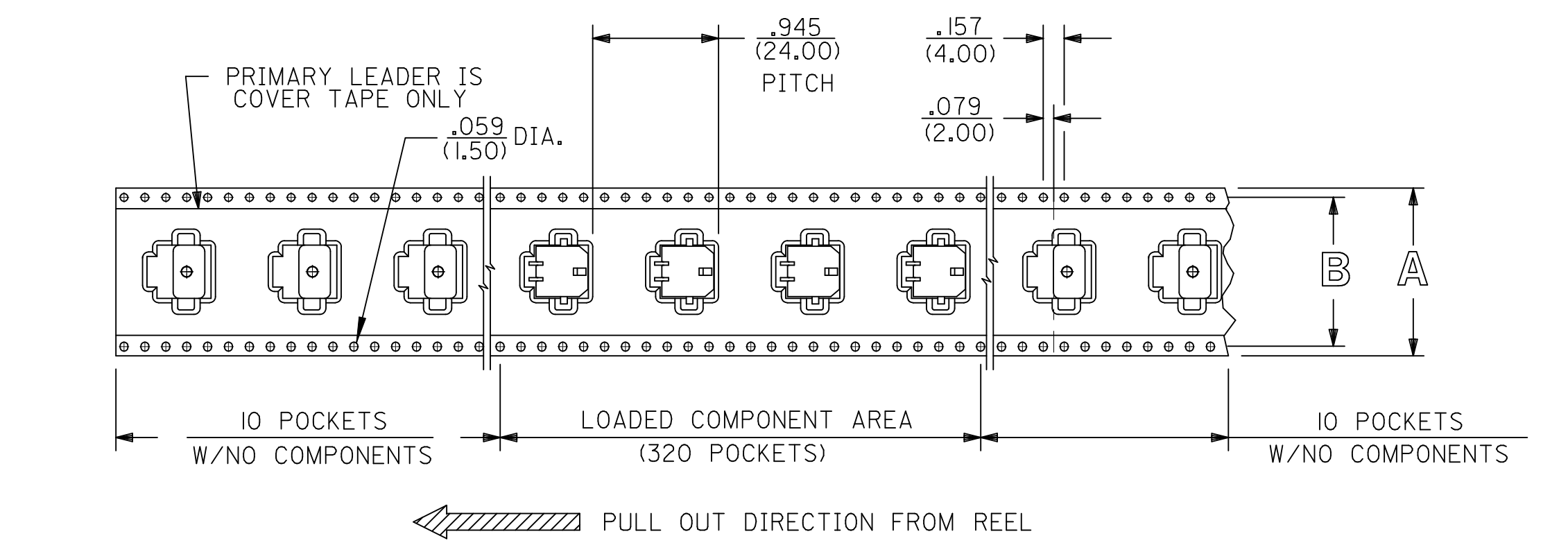
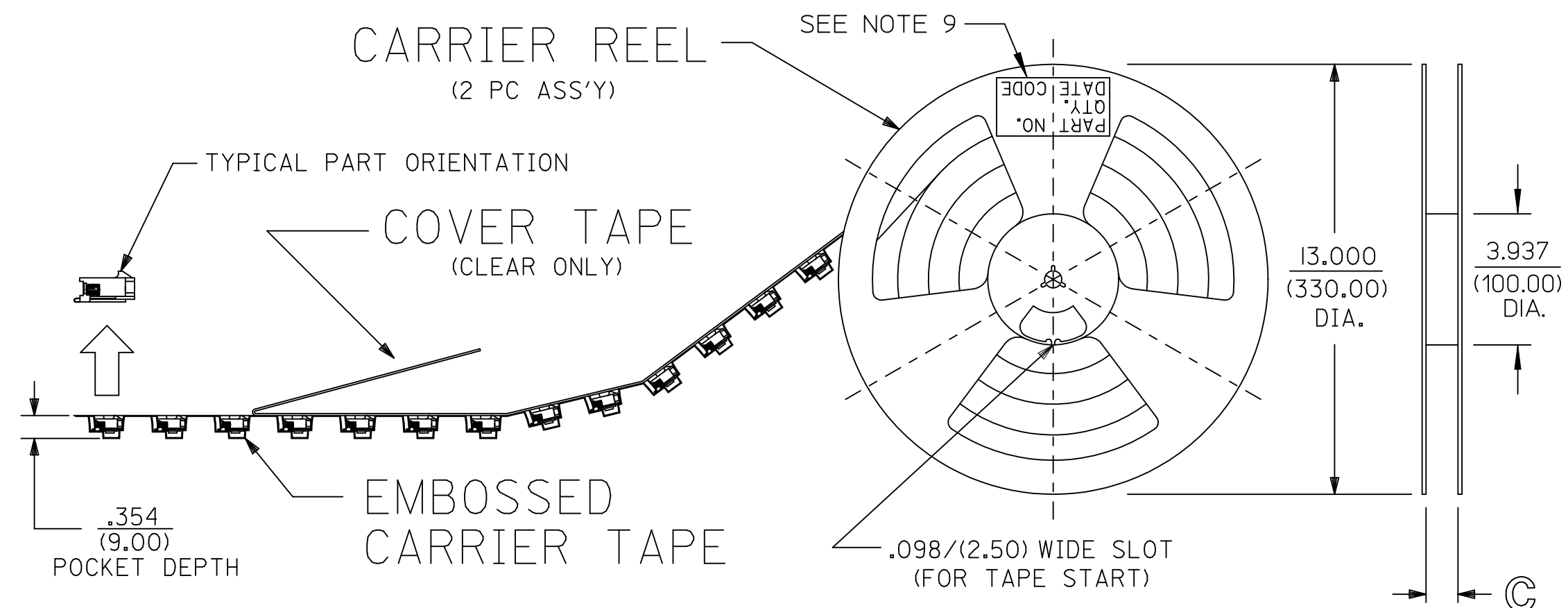


TAPE AND REEL SPECIFICATIONS FOR ALL RIGHT ANGLE IN-LINE SURFACE MOUNT MICRO-FIT(3.0)

PACKAGING ITEM NO.	ASSEMBLY ITEM NO.	EMBOSSED TAPE ITEM NO.	CKT. SIZE	PARTS PER REEL	CARTON PART #	REELS/CARTON	SPQ	COVER TAPE ITEM NO.	CARRIER HALF/REEL ITEM NO.	CARRIER HALF/REEL ITEM NO.	DIM A	DIM B	DIM C
70873-0702	43650-02**	70180-3002	2	320	70180-0371	9	2880	43655-0001	70180-6501	70180-6501	1.260/(32.00)	1.118/(28.40)	1.276/(32.40)
70873-0703	43650-03**	70180-3003	3	320	70180-0371	9	2880	43655-0001	70180-6501	70180-6501	1.260/(32.00)	1.118/(28.40)	1.276/(32.40)
70873-0704	43650-04**	70180-3004	4	320	70180-0371	7	2240	43655-0002	70180-6501	70180-6502	1.732/(44.00)	1.591/(40.40)	1.748/(44.40)
70873-0705	43650-05**	70180-3005	5	320	70180-0371	7	2240	43655-0002	70180-6501	70180-6502	1.732/(44.00)	1.591/(40.40)	1.748/(44.40)
70873-0706	43650-06**	70180-3006	6	320	70180-0371	7	2240	43655-0002	70180-6501	70180-6502	1.732/(44.00)	1.591/(40.40)	1.748/(44.40)
70873-0707	43650-07**	70180-3007	7	320	70180-0371	7	2240	43655-0002	70180-6501	70180-6502	1.732/(44.00)	1.591/(40.40)	1.748/(44.40)
70873-0708	43650-08**	70180-3008	8	320	70180-0371	7	2240	43655-0002	70180-6501	70180-6502	1.732/(44.00)	1.591/(40.40)	1.748/(44.40)
70873-0709	43650-09**	70180-3009	9	320	70180-0371	5	1600	43655-0003	70180-6502	70180-6502	2.205/(56.00)	2.063/(52.40)	2.220/(56.40)
70873-0710	43650-10**	70180-3010	10	320	70180-0371	5	1600	43655-0003	70180-6502	70180-6502	2.205/(56.00)	2.063/(52.40)	2.220/(56.40)
70873-0711	43650-11**	70180-3011	11	320	70180-0371	5	1600	43655-0003	70180-6502	70180-6502	2.205/(56.00)	2.063/(52.40)	2.220/(56.40)
70873-0712	43650-12**	70180-3012	12	320	70180-0371	5	1600	43655-0003	70180-6502	70180-6502	2.205/(56.00)	2.063/(52.40)	2.220/(56.40)

NOTES:

- 1) PACKAGING MATERIALS: EMBOSSED CARRIER TAPE IS POLYSTYRENE (PS), TOP COVER TAPE IS A COMPOSITE OF POLYETHYLENE TEREPHTHALATE (PET), POLYETHYLENE (PE), AND POLYFILM (PEF), CARRIER REEL IS POLYSTYRENE (PS).
- 2) THIS CONNECTOR COMPLIES WITH MOLEX PRODUCT SPECIFICATION PS-43650
- 3) EACH REEL MUST BE LOADED WITH 320 CONNECTORS (SEE NOTE 5).
- 4) THE FOLLOWING NOTES HAVE BEEN DERIVED FROM THE E.I.A. STANDARDS 481.
- 5) CONNECTOR MINIMUMS/REEL ARE SHOWN ABOVE, IN NO CASE SHALL THERE BE TWO CONSECUTIVE COMPONENTS MISSING BETWEEN THE FIRST AND LAST PART OF ANY REEL.
- 6) THE TOP COVER TAPE SHALL BE CLEAR ONLY, NOT EXTEND OVER THE EDGES OF THE CARRIER TAPE OR COVER ANY PART OF THE SPROCKET HOLES.
- 7) ADJACENT LAYERS OF TAPE SHALL NOT STICK TOGETHER WHEN WOUND ON THE CARRIER REEL.
- 8) THE TOP COVER TAPE MUST BE SECURELY ATTACHED TO THE EMBOSSED CARRIER TAPE BY USE OF HEAT.
- 9) EACH REEL SHALL HAVE A LABEL AFFIXED TO IT WITH THE FOLLOWING INFORMATION: PART NO., QUANTITY=320, AND DATE CODE. LABEL SHOWN FOR ILLUSTRATION ONLY. LABEL TO BE LOCATED ON SIDE OF REEL OPPOSITE THE ROUND SPROCKET HOLES.
- 10) TAPE SPLICES ARE NOT PERMITTED.
- 11) THE TOP COVER TAPE SHALL HAVE A TOTAL PEEL STRENGTH OF 0.1-0.7 NEWTONS WHEN PULLED OPPOSITE THE DIRECTION OF CARRIER TAPE TRAVEL. THE CARRIER AND/OR COVER TAPE SHALL BE PULLED WITH A VELOCITY OF 120±mm PER MINUTE.
- 12) ALL DIMENSIONS ARE SHOWN FOR REFERENCE ONLY.



ADD SHEET 4 EC NO: UCP2012-3776 DRWN:MMSTROH 2012/05/17 CHKD:SSOUSEK 2012/06/15 APPR:FSMITH 2012/06/27	QUALITY SYMBOLS ∇=0 ∇=0 ∇=3	GENERAL TOLERANCES (UNLESS SPECIFIED)		DIMENSION STYLE IN/MM		SCALE ---	DESIGN UNITS METRIC	THIRD ANGLE PROJECTION		
		mm	INCH	DRAWN BY	DATE	TITLE				
		4 PLACES ± ---	± ---	BAP	03/25/96	MICRO FIT (3.0)				
		3 PLACES ± ---	± ---	CHECKED BY	DATE	TAPE & REEL PK SPEC. FOR				
2 PLACES ± ---	± ---	BAP	03/25/96	R.A. IN-LINE SMT ASS'Y						
1 PLACE ± ---	± ---	APPROVED BY	DATE	MATERIAL NO.		DOCUMENT NO.	SHEET NO.			
0 PLACE ±	±	RJF	03/25/96	SEE CHART		PK-70873-07**	1 OF 4			
DRAFT WHERE APPLICABLE MUST REMAIN WITHIN DIMENSIONS				THIS DRAWING CONTAINS INFORMATION THAT IS PROPRIETARY TO MOLEX INCORPORATED AND SHOULD NOT BE USED WITHOUT WRITTEN PERMISSION						