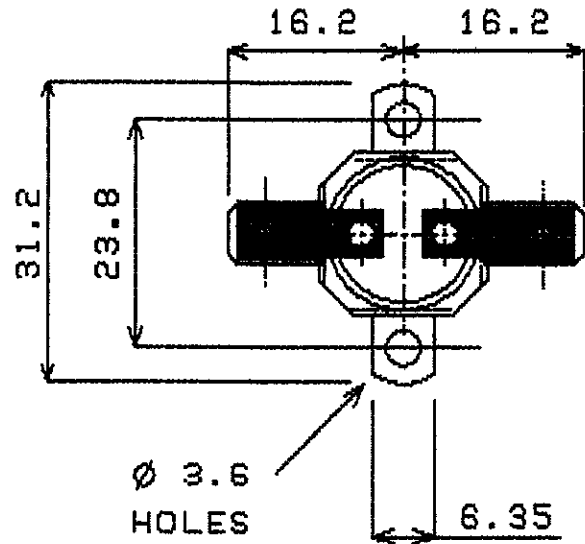


DO NOT SCALE ALL DIMENSIONS ARE FOR REFERENCE ONLY



OPERATING CRITERIA

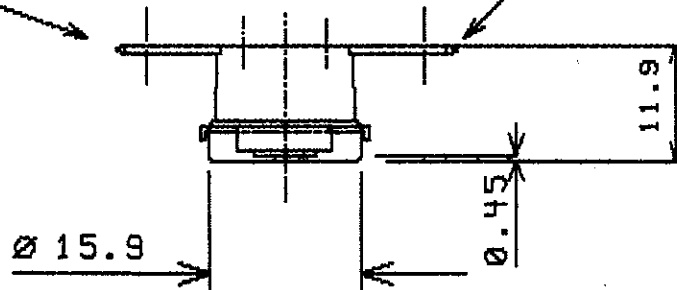
VOLTS: 240 AMPS: 10 HZ:

OPERATING TEMPS. DEG. C

OPEN: 20 ± 3
 CLOSE: 35 ± 5

6.35x0.8
Q.C.

6.35x0.8
Q.C.



NOTE: ORIENTATION OF BRACKET IS NOT FIXED

ISSUE	A	B							
MOD No	2052	2250							
MTH/YR	3/97	7/98							

ENCODING REQUIREMENTS

OUR: LASER CODE
 RP 9100 442 XXX

CAP: B200 MAT'L: ALUMINIUM
 BRK'T: B2036 MAT'L: STEEL
 PLATING: NICKEL
 TERMINAL: T146 T146
 MATERIAL: BRASS BRASS
 PLATING: G1

ELMWOOD DEVICE & UNIQUE PART No.
 2455RP-9100-442

ELMWOOD DRG No. ISSUE
 965210 B



ELMWOOD
 SENSORS LTD

DATE OF ISSUE STAMP

Deliver
 THP

DATE CODE