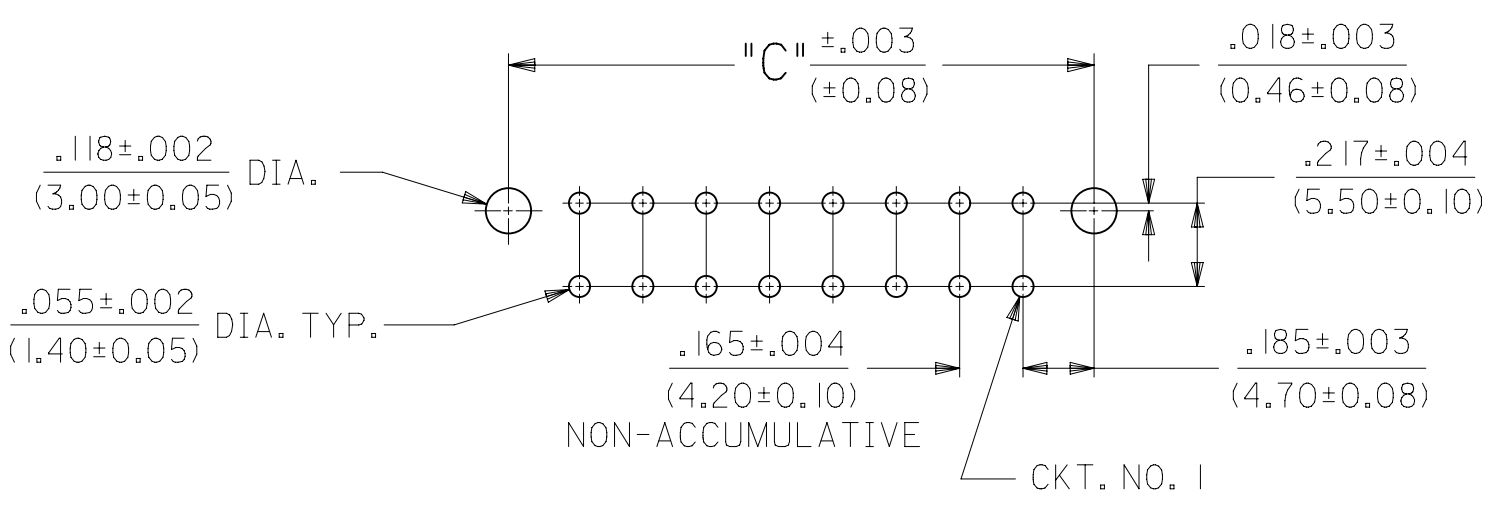
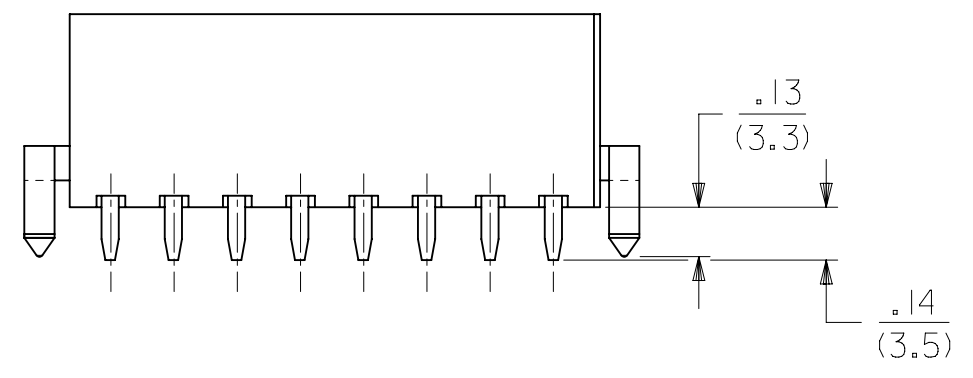
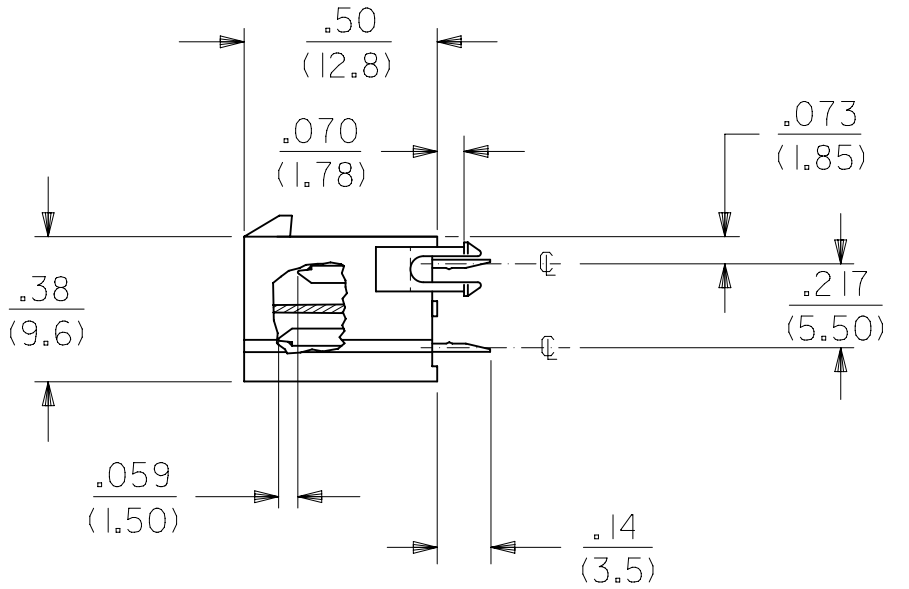
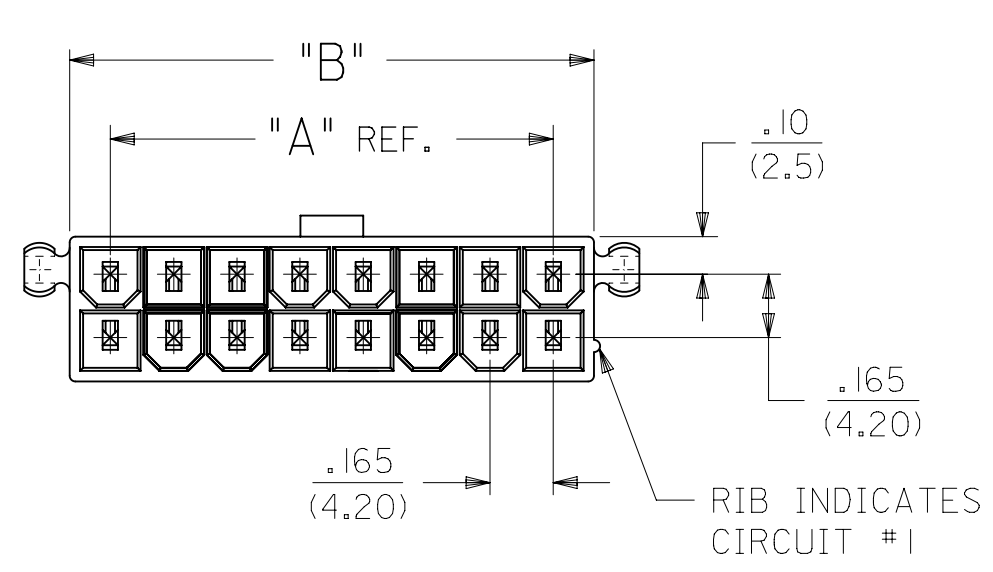
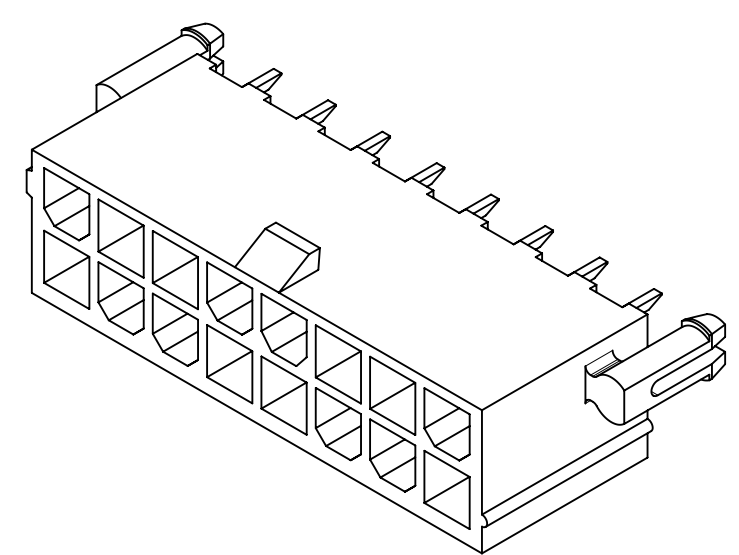


| CIRCUIT SIZE | DIM. "A"       | DIM. "B"       | DIM. "C"         |
|--------------|----------------|----------------|------------------|
| 2            | —              | .21<br>(5.4)   | .370<br>(9.40)   |
| 4            | .17<br>(4.2)   | .38<br>(9.6)   | .535<br>(13.60)  |
| 6            | .33<br>(8.4)   | .54<br>(13.8)  | .701<br>(17.80)  |
| 8            | .50<br>(12.6)  | .71<br>(18.0)  | .866<br>(22.00)  |
| 10           | .66<br>(16.8)  | .87<br>(22.2)  | 1.031<br>(26.20) |
| 12           | .83<br>(21.0)  | 1.04<br>(26.4) | 1.197<br>(30.40) |
| 14           | .99<br>(25.2)  | 1.20<br>(30.6) | 1.362<br>(34.60) |
| 16           | 1.16<br>(29.4) | 1.37<br>(34.8) | 1.528<br>(38.80) |
| 18           | 1.32<br>(33.6) | 1.54<br>(39.0) | 1.693<br>(43.00) |
| 20           | 1.49<br>(37.8) | 1.70<br>(43.2) | 1.858<br>(47.20) |
| 22           | 1.65<br>(42.0) | 1.87<br>(47.4) | 2.024<br>(51.40) |
| 24           | 1.82<br>(46.2) | 2.03<br>(51.6) | 2.189<br>(55.60) |

**NOTES**

- HOUSING MATERIAL AND OPTIONS:  
SEE CHARACTERISTICS LEGEND ON SHEET 2  
TERMINAL MATERIAL: BRASS ALLOY
- TERMINAL PLATING:  
"A"= .000100/(.00254) MIN. MATTE TIN OVER .000050/(.00127) MIN. NICKEL. OVERALL  
"D"= .000100/(.00254) MIN. BRIGHT TIN OVER .000050/(.00127) MIN. NICKEL. OVERALL  
"E"= .000030/(.00076) MIN. SELECT GOLD, .000100/(.00254) MIN. SELECT MATTE TIN, OVER .000050/(.00127) MIN. NICKEL OVERALL
- PRODUCT SPECIFICATION: PS-5556-001
- PACKAGING SPECIFICATION: SEE CHART ON SHEET 2
- PART MATES WITH MINI-FIT JR RECEPTACLE #5557
- PARTS ARE NOT DESIGNED FOR CURRENT SHARING.
- PART CONFORMS TO CLASS "B" REQUIREMENTS OF COSMETIC SPECIFICATION PS-45499-002
- CONNECTOR ASSEMBLIES ARE NOT TO BE MATED OR UNMATED WHILE CIRCUITS ARE LIVE
- TEXT ON PART IS FOR REFERENCE ONLY. TEXT AND TEXT LOCATION MAY VARY DEPENDING ON PART NUMBER AND/OR TOOL.



RECOMMENDED HOLE LAYOUT FOR .070/(1.78) MAX. THICK P.C. BOARD

VIEWED FROM COMPONENT SIDE

|   |  |                 |         |   |                  |                                   |  |  |  |
|---|--|-----------------|---------|---|------------------|-----------------------------------|--|--|--|
| THIS DRAWING CONTAINS INFORMATION THAT IS PROPRIETARY TO MOLEX ELECTRONIC TECHNOLOGIES, LLC AND SHOULD NOT BE USED WITHOUT WRITTEN PERMISSION |  |                 |         |   |                  |                                   |  |  |  |
| SYMBOLS   |  | DIMENSION UNITS |         | SCALE   |                  | CURRENT REV DESC: INITIAL RELEASE |  |  |  |
| ∇ = 0   | IN/MM  | 2:1             |         | <p><b>molex</b></p> <p>2-24 CKT VERT HDR ASSY<br/>MIN-FIT JR MF/BL W/WO PEGS</p> <p>PRODUCT CUSTOMER DRAWING</p> <p>DOCUMENT NUMBER: 434600000-SD   DOC TYPE: PSD   DOC PART: 000   REVISION: A</p> <p>MATERIAL NUMBER: SEE SHEET 2   CUSTOMER: GENERAL MARKET   SHEET NUMBER: 1 OF 2</p> |                  |                                   |  |  |  |
| ∇ = 0   | GENERAL TOLERANCES (UNLESS SPECIFIED)                |                 |         |   |                  |                                   |  |  |  |
| ∇ = 0   | MM   | INCH            |         |   |                  |                                   |  |  |  |
| ∇ = 0   | 4 PLACES   | ±               | ±       |   |                  |                                   |  |  |  |
| ∇ = 0   | 3 PLACES   | ±               | ± 0.015 | EC NO: 173061   | DRWN: AZAHIROVIC | 2018/02/26                        |  |  |  |
| ∇ = 0   | 2 PLACES   | ± 0.38          | ± 0.02  | CHK'D: JBELL  | 2018/04/06       |                                   |  |  |  |
| ∇ = 0   | 1 PLACE  | ± 0.5           | ±       | APPR: FSMITH  | 2018/04/13       |                                   |  |  |  |
| ∇ = 0   | 0 PLACES   | ±               | ±       | INITIAL REVISION:   |                  |                                   |  |  |  |
| ∇ = 0   | ANGULAR TOL  | ± 0.5 °         |         | DRWN: AFG   | 1994/12/14       |                                   |  |  |  |
| ∇ = 0   | DRAFT WHERE APPLICABLE MUST REMAIN WITHIN DIMENSIONS |                 |         | APPR: FSMITH  | 2011/06/17       |                                   |  |  |  |
| ∇ = 0   |  |                 |         | THIRD ANGLE PROJECTION  | DRAWING          | SERIES                            |  |  |  |
|   |  |                 |         | ∅   | C-SIZE           | 43460                             |  |  |  |

| ITEM NO.   | CHARACTERISTIC DESCRIPTION | TERMINAL VERSION REQUIRED AT EACH CIRCUIT LOCATION: (SEE CODES AT RIGHT) |    |    |    |    |    |    |    |    |    |    |    |    |    |    |    |    |    |    |    |    |    |    |    | PACKAGING   |
|------------|----------------------------|--|----|----|----|----|----|----|----|----|----|----|----|----|----|----|----|----|----|----|----|----|----|----|----|-------------|
|            |                            | 1  | 2  | 3  | 4  | 5  | 6  | 7  | 8  | 9  | 10 | 11 | 12 | 13 | 14 | 15 | 16 | 17 | 18 | 19 | 20 | 21 | 22 | 23 | 24 |             |
| 43460-0011 | 02FAD                      | 9  | 5  | -  | -  | -  | -  | -  | -  | -  | -  | -  | -  | -  | -  | -  | -  | -  | -  | -  | -  | -  | -  | -  | -  | PK-5566-003 |
| 43460-0012 | 02AAA                      | 8  | 1  | -  | -  | -  | -  | -  | -  | -  | -  | -  | -  | -  | -  | -  | -  | -  | -  | -  | -  | -  | -  | -  | -  | PK-5566-001 |
| 43460-0013 | 08EAA                      | 8  | 1  | 8  | 8  | 8  | 1  | 8  | 8  | -  | -  | -  | -  | -  | -  | -  | -  | -  | -  | -  | -  | -  | -  | -  | -  | PK-5566-001 |
| 43460-0014 | 04FAA                      | 1  | 8  | 8  | 8  | -  | -  | -  | -  | -  | -  | -  | -  | -  | -  | -  | -  | -  | -  | -  | -  | -  | -  | -  | -  | PK-5566-001 |
| 43460-0015 | 24AAA                      | 1  | 8  | 8  | 8  | 8  | 8  | 8  | 8  | 8  | 8  | 8  | 1  | 1  | 8  | 8  | 8  | 8  | 8  | 8  | 8  | 8  | 8  | 8  | 1  | PK-5566-001 |
| 43460-0016 | 24AAE                      | 3  | 10 | 10 | 10 | 10 | 10 | 10 | 10 | 10 | 10 | 10 | 3  | 3  | 10 | 10 | 10 | 10 | 10 | 10 | 10 | 10 | 10 | 10 | 3  | PK-5566-001 |
| 43460-0017 | 06BAE                      | 10   | 10 | 10 | 3  | 3  | 10 | -  | -  | -  | -  | -  | -  | -  | -  | -  | -  | -  | -  | -  | -  | -  | -  | -  | -  | PK-5566-001 |

| TERM. CODES FOR CHART AT LEFT |           |          |
|-------------------------------|-----------|----------|
| TERMINAL NO.                  | PLATING / | MATERIAL |
| 1=MAKE-FIRST                  | A         | BRASS    |
| 3=MAKE-FIRST                  | E         | BRASS    |
| 5=MAKE-FIRST                  | D         | BRASS    |
| 8=STANDARD                    | A         | BRASS    |
| 9=STANDARD                    | D         | BRASS    |
| 10=STANDARD                   | E         | BRASS    |

CHARACTERISTICS LEGEND:

CIRCUIT SIZE: \_\_\_\_\_ \*\* \* \* \*

(02-24)

HOUSING MATERIAL AND OPTIONS: \_\_\_\_\_


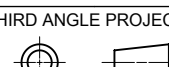
"A"=NYLON 6/6, UNFILLED U.L. 94V-2, WITH PEGS, COLOR: NATURAL.  
 "B"=NYLON 6/6, UNFILLED U.L. 94V-0, WITH PEGS, COLOR: NATURAL.  
 "E"=NYLON 6/6, UNFILLED U.L. 94V-2, WITHOUT PEGS, COLOR: NATURAL.  
 "F"=NYLON 6/6, UNFILLED U.L. 94V-0, WITHOUT PEGS, COLOR: NATURAL.

TERMINAL MATERIAL: \_\_\_\_\_

"A"=BRASS ALLOY

TERMINAL PLATING (SEE NOTE 2): \_\_\_\_\_

"A"= 100 MIN. MATTE TIN OVER 50 MIN. NICKEL  
 "D"= 100 MIN. TIN OVER 50 MIN. NICKEL  
 "E"= 30 MIN. GOLD AND 100 MIN. MATTE TIN OVER 50 MIN. NICKEL

|         |   |       |         |  |   |  |  |  |  |   |   |  |  |
|---------|---|-------|---------|--|---|--|--|--|--|---|---|--|--|
| SYMBOLS | THIS DRAWING CONTAINS INFORMATION THAT IS PROPRIETARY TO MOLEX ELECTRONIC TECHNOLOGIES, LLC AND SHOULD NOT BE USED WITHOUT WRITTEN PERMISSION |       |         |  |   |  |  |  |  |   |   |  |  |
|         | DIMENSION UNITS   | SCALE |         | CURRENT REV DESC: INITIAL RELEASE  |   |  |  |  |  |  |   |  |  |
| ▽ = 0   | IN/MM   | 1:1   |         | EC NO: 173061<br>DRWN: AZAHIROVIC 2018/02/26<br>CHK'D: JBELL 2018/04/06<br>APPR: FSMITH 2018/04/13 |   |  |  |  |  |   |   | 2-24 CKT VERT HDR ASSY<br>MIN-FIT JR MF/BL W/WO PEGS |  |
| ▽ = 0   | GENERAL TOLERANCES (UNLESS SPECIFIED)   |       |         |  |   |  |  |  |  | INITIAL REVISION:<br>DRWN: AFG 1994/12/14<br>APPR: FSMITH 2011/06/17                  |   |  |  |
| ▽ = 0   | 4 PLACES ±  |       | MM      | INCH   | DOCUMENT NUMBER<br><b>434600000-SD</b>                    |  |  |  |  |   |   |  |  |
| ▽ = 0   | 3 PLACES ±  |       | ± 0.015 |  |   |  |  |  |  |   | MATERIAL NUMBER<br>SEE SHEET 2  |  |  |
| ▽ = 0   | 2 PLACES ±  |       | ± 0.38  | ± 0.02   | GENERAL MARKET  |  |  |  |  |   |   |  |  |
| ▽ = 0   | 1 PLACE ±   |       | ± 0.5   | ±  |   |  |  |  |  |   | THIRD ANGLE PROJECTION<br> |  |  |
| ▽ = 0   | 0 PLACES ±  |       | ±       | ±  | DRAFT WHERE APPLICABLE MUST REMAIN WITHIN DIMENSIONS      |  |  |  |  |   |   |  |  |
| ▽ = 0   | ANGULAR TOL ± 0.5 °   |       |         |  |   |  |  |  |  |   | THIS DRAWING REPLACES DRAWING SDA-43460-****  |  |  |
| ▽ = 0   | DRAFT WHERE APPLICABLE MUST REMAIN WITHIN DIMENSIONS  |       |         |  | DOCUMENT STATUS   P1   RELEASE DATE   2018/04/13 22:56:46 |  |  |  |  |   |   |  |  |