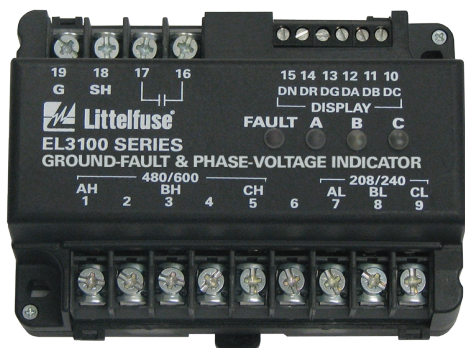


EL3100 SERIES

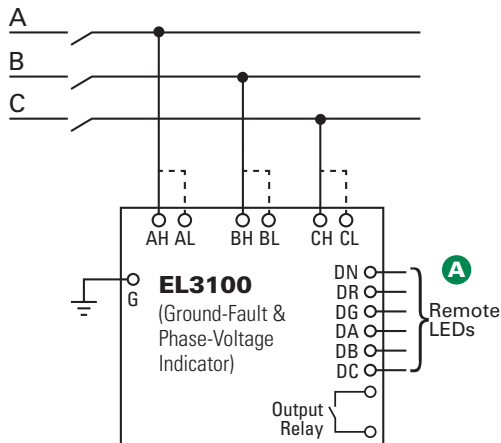
Ground-Fault & Phase-Voltage Indicator



Description

The EL3100 is a self-powered ground-fault and phase-voltage indication system for 3-phase systems. The EL3100 meets the National Electrical Code (NEC) and the Canadian Electrical Code (CEC) requirements for ground detectors for ungrounded alternating-current systems. Voltage connections are provided on the EL3100 for 208, 240, 480, and 600-V systems. Three green LED's on the EL3100 indicate the presence of phase-to-ground voltage and one red LED indicates a ground fault. The EL3100 can operate stand-alone or with up to five remote LED indicators. A solid-state relay output provides indication of a ground fault. The output relay is closed when the 3-phase neutral voltage shifts as the result of ground leakage.

Simplified Circuit Diagram



Features & Benefits

FEATURES	BENEFITS
NEC® and CEC Code compliant	Meets National Electrical Code (NEC®) Article 250.21 and Canadian Electrical Code Part 1, Section 10-106 (2) requirements for ungrounded systems
Low-voltage remote LEDs	System voltage is not present at the remote LED location
Phase-voltage indication	Indicates the presence of voltage on both grounded and ungrounded systems
Output relay	Allows for remote ground-fault indication

Ordering Information

ORDERING NUMBER	MOUNTING
EL3100-00	DIN, Surface
ACCESSORIES	REQUIREMENT
RK-310X-0Y	Optional

Note: X=R for red LED and G for green LED
Y=0 for no label and 1 for a ground-fault label

Accessories



Remote LEDs
High-intensity 16-mm IP67 LED lamps available in red and green colors.

Specifications

Input Voltage	Input L: 208/240 Vac Input H: 480/600 Vac
Dimensions	H 87.0 mm (3.43") W 112.5 mm (4.43") D 56.0 mm (2.2")
Approvals	CSA certified, UL Listed (E340889)
Conformally Coated	Standard feature
Warranty	5 years
Mounting	DIN, Surface