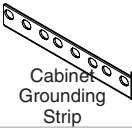



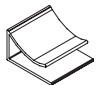

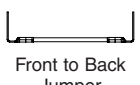



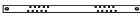

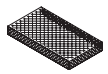

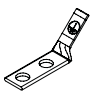








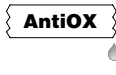



INSTALLATION INSTRUCTIONS T-PMPI-270-PC

© PANDUIT Corp. 2006

	CGK630U	CGK630UA	CGK630UB	CGR630U	CGR630UA	CGR630UB	CGJxxxU	CGJxxxUA	CGJxxxUB	RGSxxxUC	RGSxxxA-1	RGSxxxA-1	THSK4-1	THSK8-1	CGK630U	CGK630UA	CGK630UB	CGR630U	CGR630UA	CGR630UB	CGJxxxU	CGJxxxUA	CGJxxxUB	RGSxxxUC	RGSxxxA-1	RGSxxxA-1	THSK4-1	THSK8-1		
 Cabinet Grounding Strip	1	1	-	-	-	-	-	-	-	4	4	4	-	-	 M6 Screw	8	-	-	-	-	-	-	-	-	-	-	-	-	-	
 Cage Nut Grounding Strip	-	-	1	-	-	-	-	-	-	-	-	-	-	-	 M6 HDW	8	-	8	-	8	-	-	-	-	-	-	-	-	-	
 Strip Clip	-	-	3	-	-	-	-	-	-	-	-	12	12	-	 M6 HDW	16	-	16	-	-	-	-	-	-	-	-	-	-	-	
 Front to Back Jumper	2	2	2	2	2	2	2	2	2	-	-	-	-	-	 10-32 Screw	-	8	-	-	-	-	-	-	-	-	-	-	-	-	-
 Universal Grounding Sticker	2	2	2	2	2	4	4	4	4	-	-	-	-	-	 10-32 HDW	-	8	-	8	-	8	-	-	-	-	-	-	-	-	
 19" Universal Ground Bar	1	1	1	1	1	-	-	-	-	-	-	-	-	-	 10-32 HDW	-	16	-	16	-	16	-	-	-	-	-	-	-	-	
 Cleaning Pad	1	1	1	1	1	1	1	1	1	1	1	1	-	-	 M5 Screw	-	8	-	-	-	-	-	-	-	-	-	-	-	-	
 ESD Port	2	2	2	-	-	-	-	-	-	-	-	-	-	-	 M5 HDW	-	8	-	8	-	8	-	-	-	-	-	-	-	-	
 ESD Sticker	2	2	2	-	-	-	-	-	-	-	-	-	-	-	 M5 HDW	-	16	-	16	-	16	-	-	-	-	-	-	-	-	
 12-24 Screw	8	-	-	-	-	-	-	-	-	16	-	-	-	-	 Cage Nut Stud HDW	-	-	13	-	8	-	8	-	-	-	-	-	-	-	
 12-24 HDW	8	-	-	8	-	8	-	-	-	-	-	-	-	-	 Thru-Hole HDW	-	-	-	-	-	-	-	-	8	-	-	4	4	8	
 12-24 HDW	16	-	28	16	-	24	16	-	24	24	-	8	8	12	18	 AntiOX	1	1	1	1	1	1	1	1	1	1	1	1	1	1
															 AntiOX															

All torque values are based on a maximum Equipment Rail coating of .003 inches.

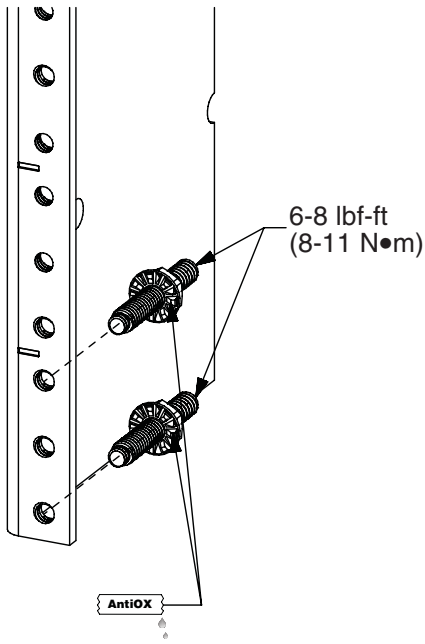
For Technical Support: www.panduit.com/resources/install_maintain.asp

INSTALLATION INSTRUCTIONS T-PMPI-270-PC

CGK630U, CGK630UA, CGR630U, CGR630UA, CGJxxxU, CGJxxxUA, RGSxxx, RGSxxxA

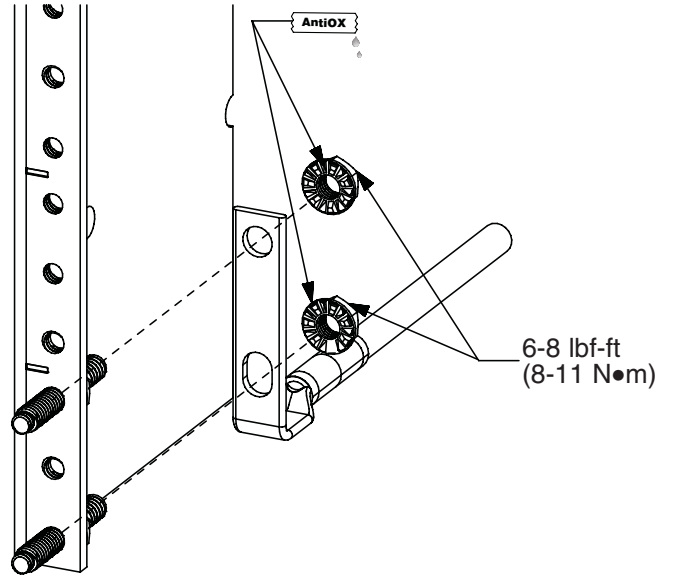
1

CGK630U, UA
CGR630U, UA
CGJxxxU, UA



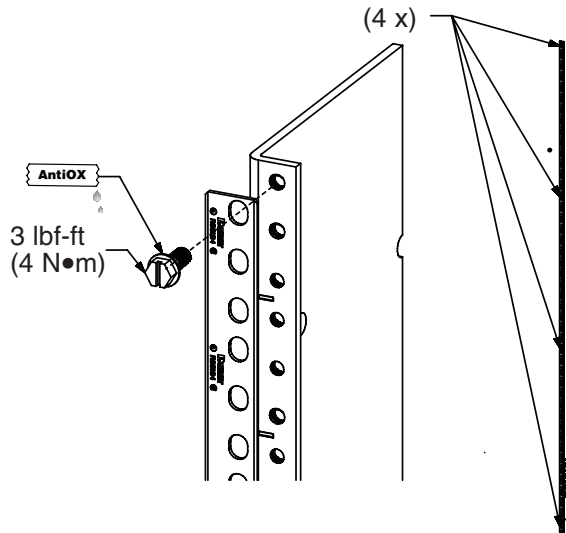
2

CGK630U, UA
CGR630U, UA
CGJxxxU, UA



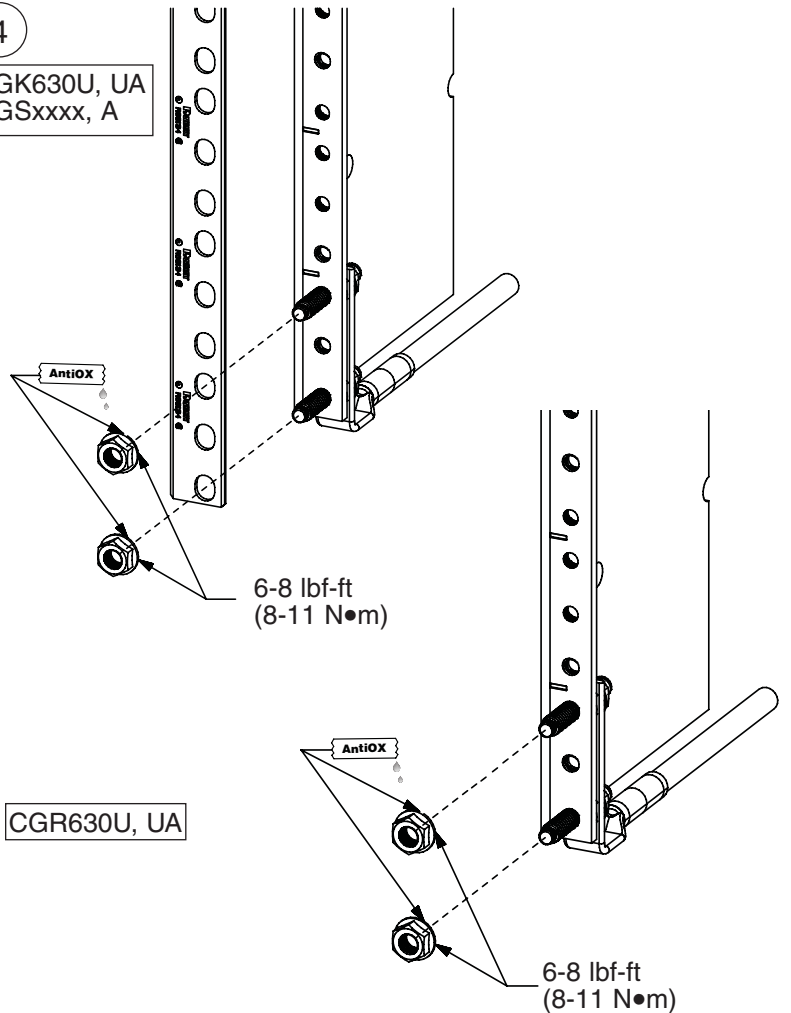
3

CGK630U, UA
RGSxxxx, A



4

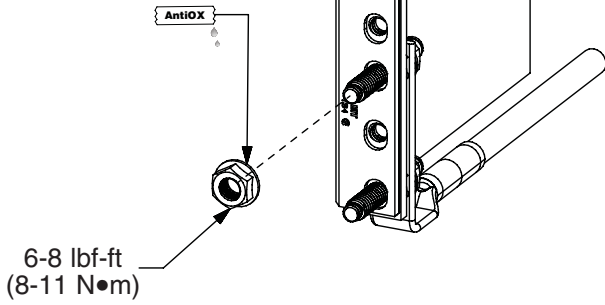
CGK630U, UA
RGSxxxx, A



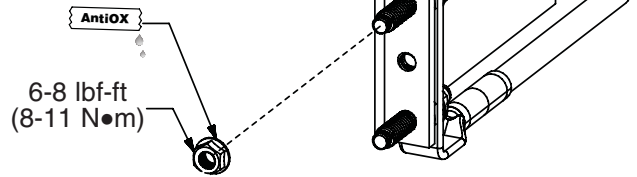
INSTALLATION INSTRUCTIONS T-PMPI-270-PC

5

CGK630U, UA
RGSxxxx, A

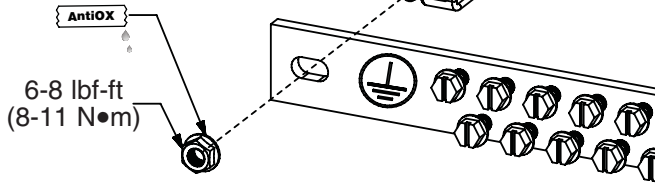


CGR630U, UA

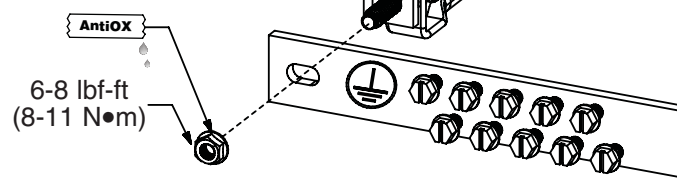


6

CGK630U, UA

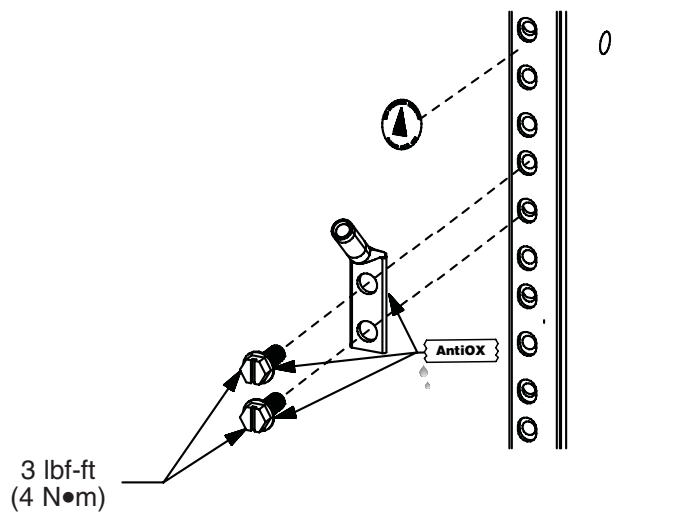


CGR630U, UA



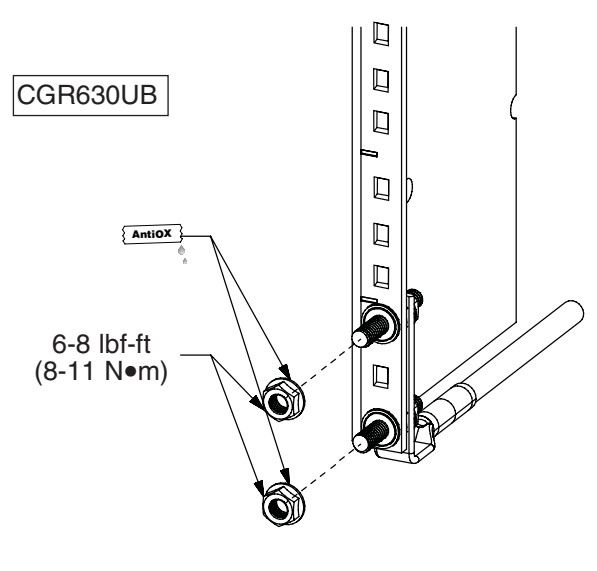
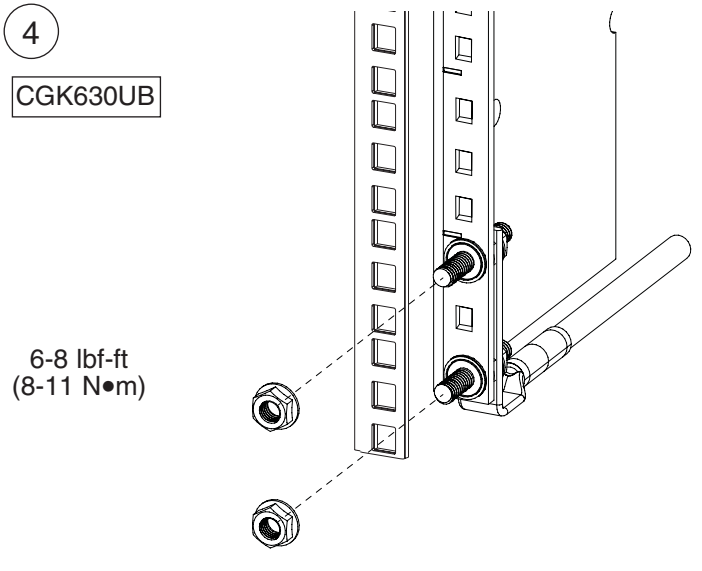
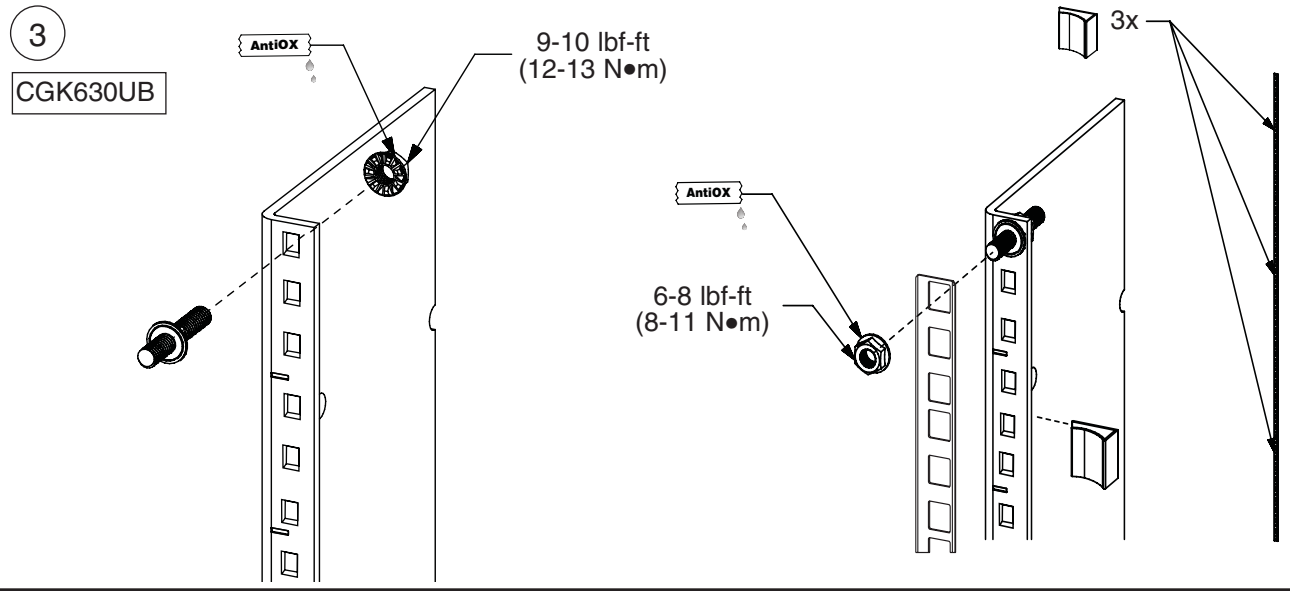
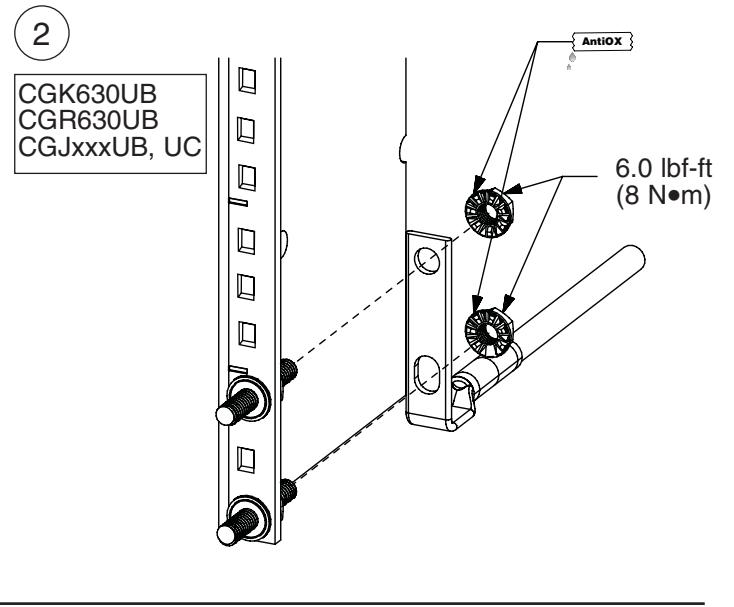
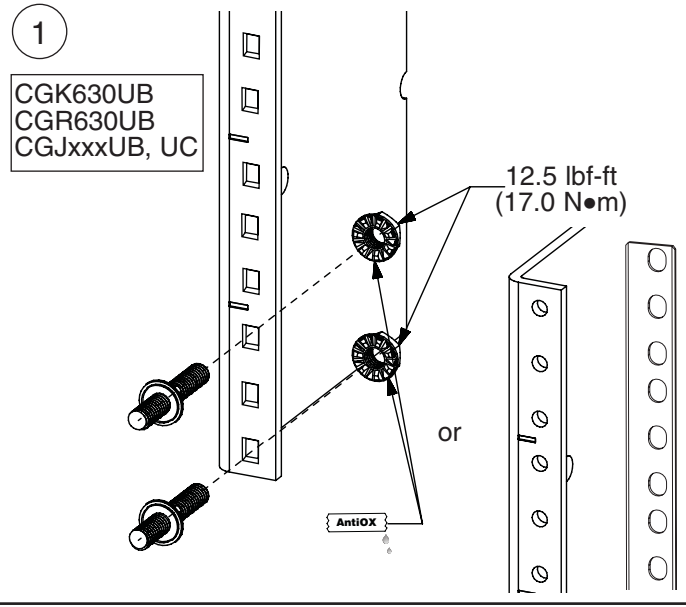
7

CGK630U, UA



INSTALLATION INSTRUCTIONS T-PMPI-270-PC

CGK630UB, CGR630UB, CGJxxxUB, CGJxxxUC, RGSxxxxC, THSK4, THSK8

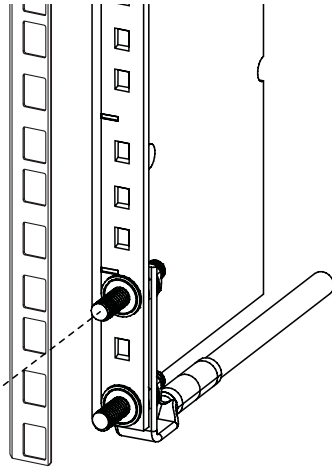


INSTALLATION INSTRUCTIONS T-PMPI-270-PC

5

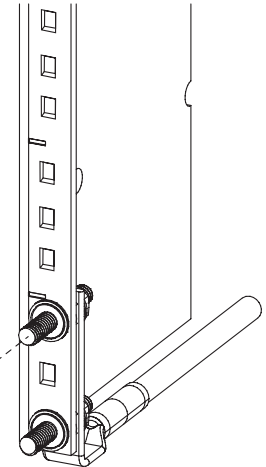
CGK630UB

AntiOX
6-8 lbf-ft
(8-11 N•m)



CGR630UB

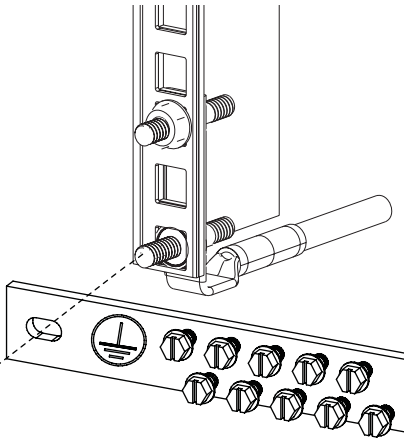
AntiOX
6-8 lbf-ft
(8-11 N•m)



6

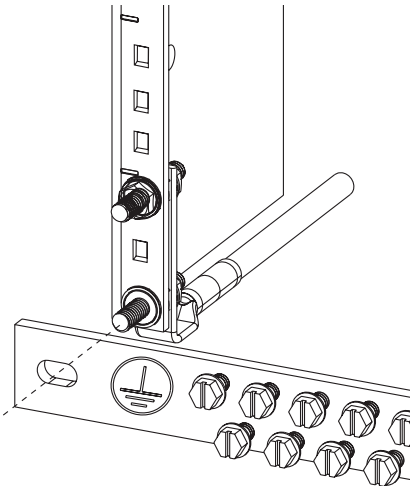
CGK630UB

AntiOX
6-8 lbf-ft
(8-11 N•m)



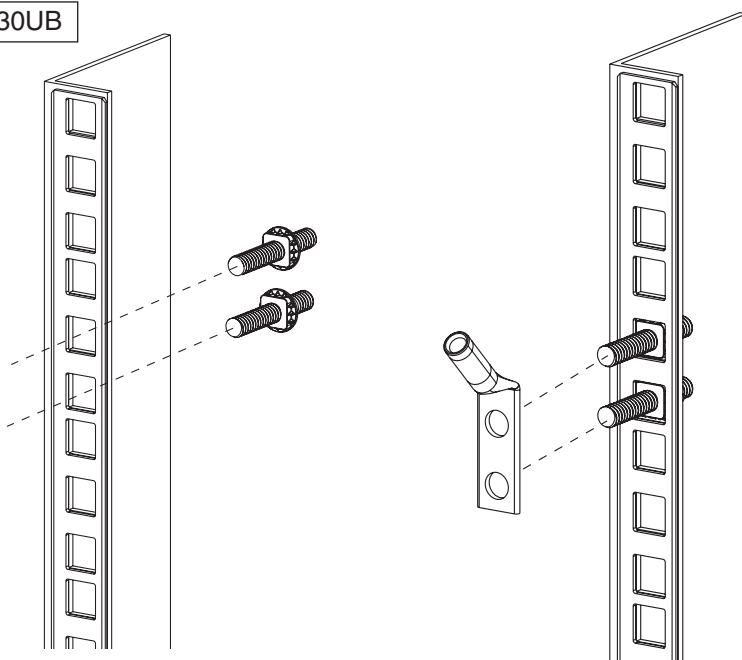
CGR630UB

AntiOX
6-8 lbf-ft
(8-11 N•m)

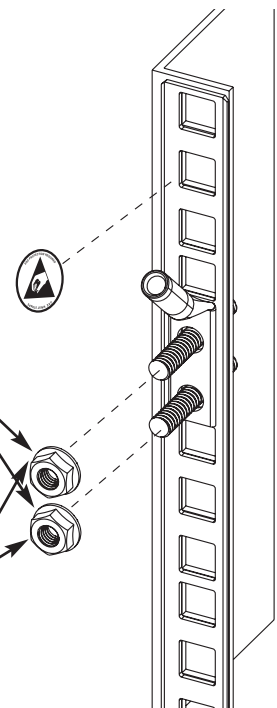


7

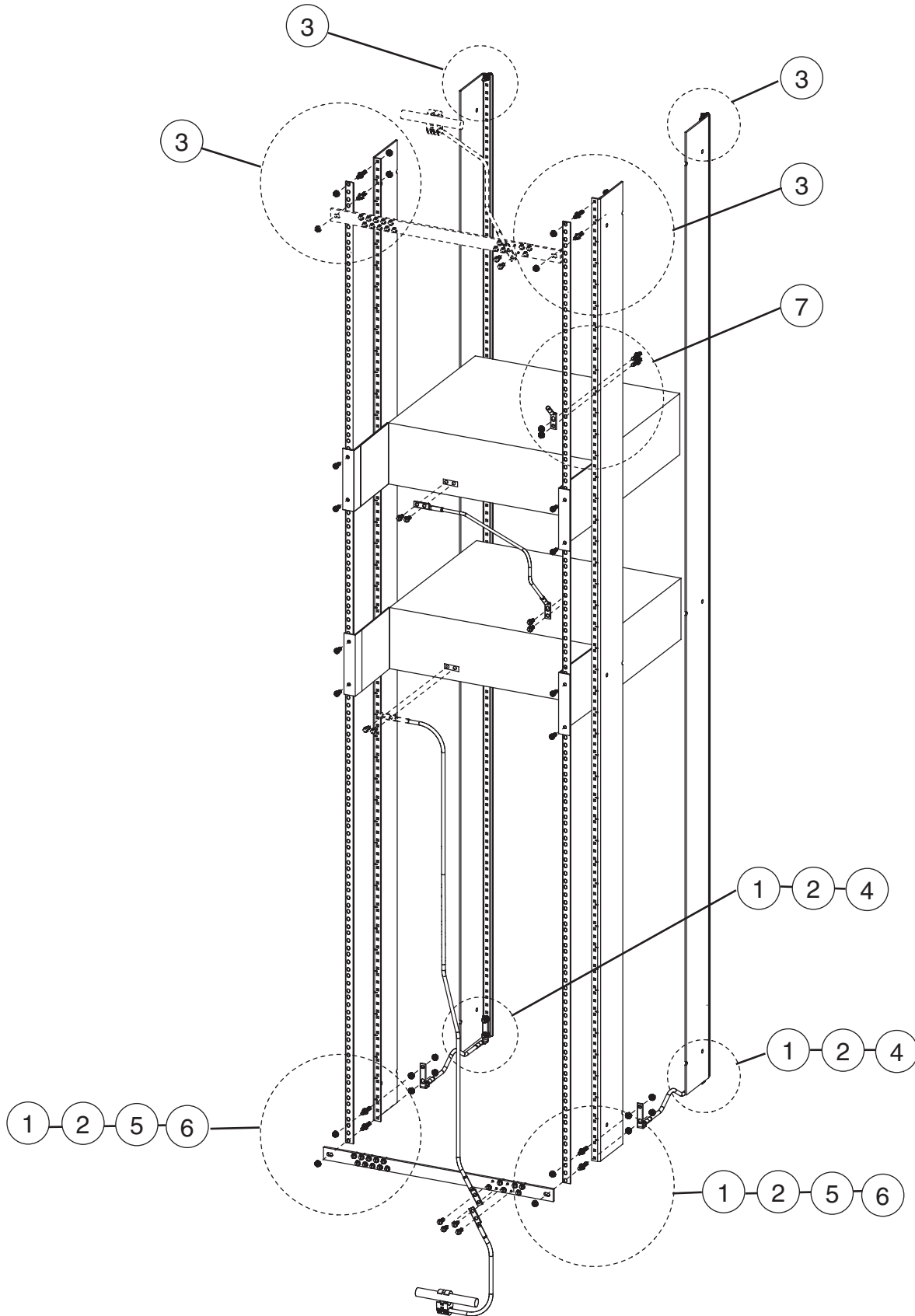
CGK630UB



AntiOX
9.5 lbf-ft
(13 N•m)



INSTALLATION INSTRUCTIONS T-PMPI-270-PC



For Instructions in Local Languages
and Technical Support:

http://www.panduit.com/resources/install_maintain.asp



www.panduit.com

E-mail:
cs@panduit.com

Fax:
(815)485-5839