

# Cartridge Fuse Holders

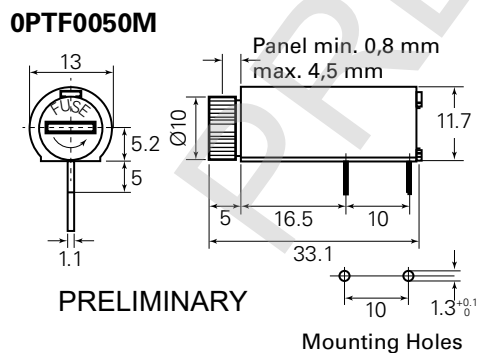
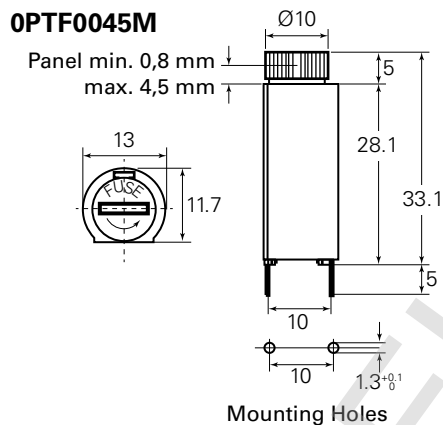
## OPTF0045M & OPTF0050M Circuit Board Mountable



### Product Characteristics

OPTF0045M / OPTF0050M	
<b>Compatible Fuses</b>	5x20 mm
<b>Electrical Specifications</b>	Rated Voltage: 250V
	Rated Current: 10 A
	Rated Power: 2.5W
<b>Materials</b>	Molded Holder and Cap Body: Black PBT (UL94 V-0)
	PCB Terminals: Tin plated brass
<b>Protection Class &amp; Category</b>	PC2 (IEC 60127-6)
<b>Contact Resistance</b>	≤ 5mΩ
<b>Degree of Protection</b>	IP 20
<b>IAmbient Temperature</b>	-30 °C to 85 °C

### Product Dimensions (in mm)



### Ordering Information

Ordering PN	Description	Packaging
OPTF0045M	Vertical Mount	1000 pieces, bulk pack
OPTF0050M	Horizontal Mount	1000 pieces, bulk pack

**Note**  
Panel minimum 0,8 mm and maximum 4,5 mm

### Additional Information



Resources



Accessories



Samples

**Disclaimer Notice** - Information furnished is believed to be accurate and reliable. However, users should independently evaluate the suitability of and test each product selected for their own applications. Littelfuse products are not designed for, and may not be used in, all applications. Read complete Disclaimer Notice at <http://www.littelfuse.com/disclaimer-electronics>.