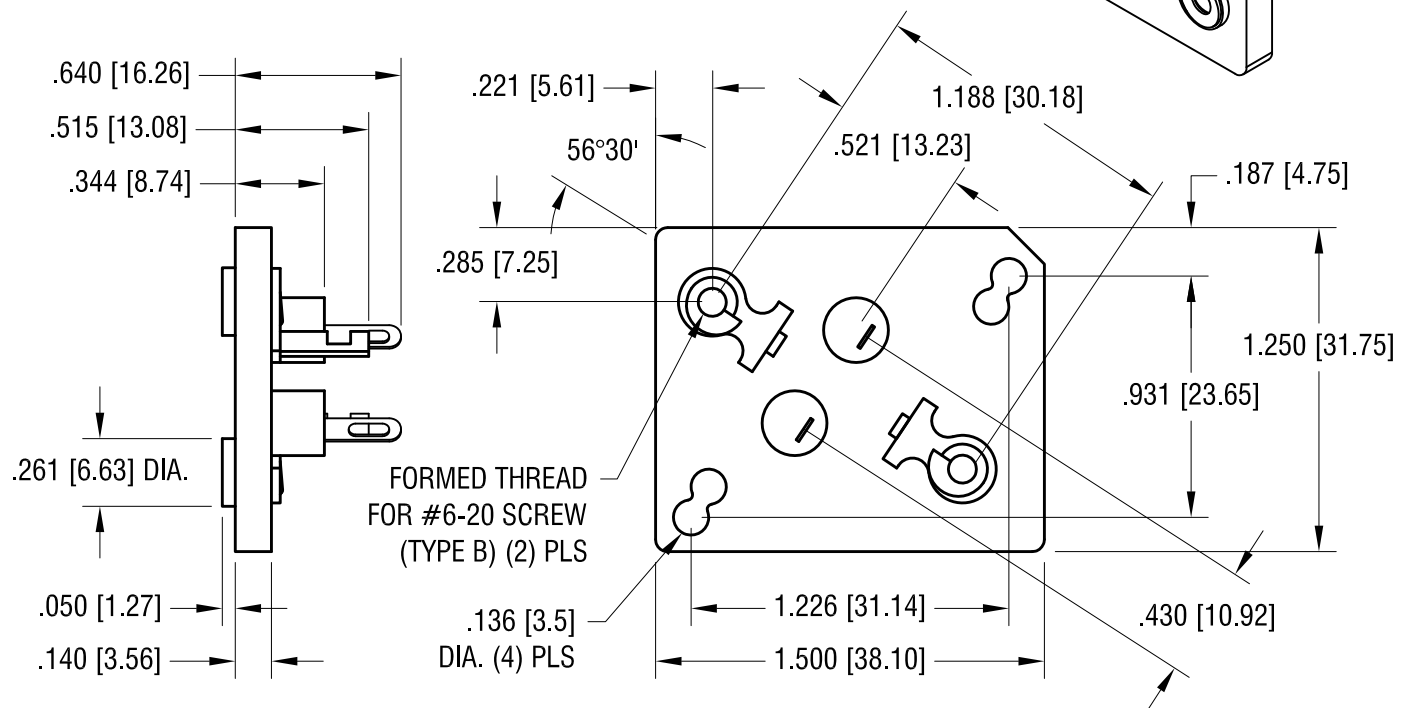
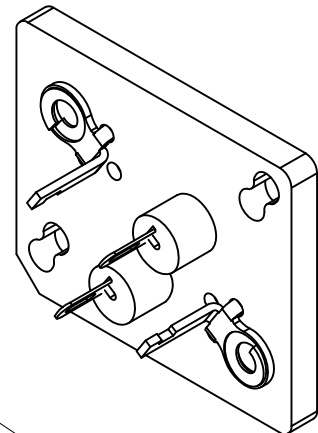


THIS DOCUMENT IS THE PROPERTY OF
KEYSTONE ELECTRONICS CORP. AND
SHALL NOT BE REPRODUCED, DISTRIBUTED
OR USED AS A BASIS FOR MANUFACTURE
WITHOUT PRIOR WRITTEN PERMISSION
FROM KEYSTONE ELECTRONICS CORP.



NOTES:
 BASE:
 MAT'L - MOLDED NYLON 6/6 UL 94V-2
 COLLECTOR PLATE:
 MAT'L - STEEL, TIN PLATE
 CONTACTS:
 MAT'L - BRASS, TIN PLATE

KEYSTONE ELECTRONICS CORP.			
www.keyelco.com • ASTORIA, N.Y. 11105-2017 • Tel (718) 956-8900			
PART NAME		TO-3 POWER SOCKET	
MATERIAL		AS NOTED	
FINISH		DRN BY	DATE
AS NOTED		BOONE	2.11.42
		APP'D	SCALE
		LN	1.3X
TOLERANCES	INCH [MM]	CODE	DWG NO.
DECIMAL	± .005 [± 0.13]	C	4620
ANGULAR	± 1°		
UNLESS OTHERWISE SPECIFIED			

2.11.10	CHANGE AS PER ECN 10-012	A
DATE	DESCRIPTION	REV.