

TPS75525EVM

Voltage Regulator Evaluation Module

User's Guide

IMPORTANT NOTICE

Texas Instruments Incorporated and its subsidiaries (TI) reserve the right to make corrections, modifications, enhancements, improvements, and other changes to its products and services at any time and to discontinue any product or service without notice. Customers should obtain the latest relevant information before placing orders and should verify that such information is current and complete. All products are sold subject to TI's terms and conditions of sale supplied at the time of order acknowledgment.

TI warrants performance of its hardware products to the specifications applicable at the time of sale in accordance with TI's standard warranty. Testing and other quality control techniques are used to the extent TI deems necessary to support this warranty. Except where mandated by government requirements, testing of all parameters of each product is not necessarily performed.

TI assumes no liability for applications assistance or customer product design. Customers are responsible for their products and applications using TI components. To minimize the risks associated with customer products and applications, customers should provide adequate design and operating safeguards.

TI does not warrant or represent that any license, either express or implied, is granted under any TI patent right, copyright, mask work right, or other TI intellectual property right relating to any combination, machine, or process in which TI products or services are used. Information published by TI regarding third-party products or services does not constitute a license from TI to use such products or services or a warranty or endorsement thereof. Use of such information may require a license from a third party under the patents or other intellectual property of the third party, or a license from TI under the patents or other intellectual property of TI.

Reproduction of information in TI data books or data sheets is permissible only if reproduction is without alteration and is accompanied by all associated warranties, conditions, limitations, and notices. Reproduction of this information with alteration is an unfair and deceptive business practice. TI is not responsible or liable for such altered documentation.

Resale of TI products or services with statements different from or beyond the parameters stated by TI for that product or service voids all express and any implied warranties for the associated TI product or service and is an unfair and deceptive business practice. TI is not responsible or liable for any such statements.

Mailing Address:

Texas Instruments
Post Office Box 655303
Dallas, Texas 75265

EVM IMPORTANT NOTICE

Texas Instruments (TI) provides the enclosed product(s) under the following conditions:

This evaluation kit being sold by TI is intended for use for **ENGINEERING DEVELOPMENT OR EVALUATION PURPOSES ONLY** and is not considered by TI to be fit for commercial use. As such, the goods being provided may not be complete in terms of required design-, marketing-, and/or manufacturing-related protective considerations, including product safety measures typically found in the end product incorporating the goods. As a prototype, this product does not fall within the scope of the European Union directive on electromagnetic compatibility and therefore may not meet the technical requirements of the directive.

Should this evaluation kit not meet the specifications indicated in the EVM User's Guide, the kit may be returned within 30 days from the date of delivery for a full refund. **THE FOREGOING WARRANTY IS THE EXCLUSIVE WARRANTY MADE BY SELLER TO BUYER AND IS IN LIEU OF ALL OTHER WARRANTIES, EXPRESSED, IMPLIED, OR STATUTORY, INCLUDING ANY WARRANTY OF MERCHANTABILITY OR FITNESS FOR ANY PARTICULAR PURPOSE.**

The user assumes all responsibility and liability for proper and safe handling of the goods. Further, the user indemnifies TI from all claims arising from the handling or use of the goods. Please be aware that the products received may not be regulatory compliant or agency certified (FCC, UL, CE, etc.). Due to the open construction of the product, it is the user's responsibility to take any and all appropriate precautions with regard to electrostatic discharge.

EXCEPT TO THE EXTENT OF THE INDEMNITY SET FORTH ABOVE, NEITHER PARTY SHALL BE LIABLE TO THE OTHER FOR ANY INDIRECT, SPECIAL, INCIDENTAL, OR CONSEQUENTIAL DAMAGES.

TI currently deals with a variety of customers for products, and therefore our arrangement with the user **is not exclusive**.

TI assumes **no liability for applications assistance, customer product design, software performance, or infringement of patents or services described herein**.

Please read the EVM User's Guide and, specifically, the EVM Warnings and Restrictions notice in the EVM User's Guide prior to handling the product. This notice contains important safety information about temperatures and voltages. For further safety concerns, please contact the TI application engineer.

Persons handling the product must have electronics training and observe good laboratory practice standards.

No license is granted under any patent right or other intellectual property right of TI covering or relating to any machine, process, or combination in which such TI products or services might be or are used.

Mailing Address:

Texas Instruments
Post Office Box 655303
Dallas, Texas 75265

DYNAMIC WARNINGS AND RESTRICTIONS

It is important to operate this EVM within the input voltage range of 2.8–5.5 V and the output current range of 0 mA to 5 mA.

Exceeding the specified input range may cause unexpected operation and/or irreversible damage to the EVM. If there are questions concerning the input range, please contact a TI field representative prior to connecting the input power.

Applying loads outside of the specified output range may result in unintended operation and/or possible permanent damage to the EVM. Please consult the EVM User's Guide prior to connecting any load to the EVM output. If there is uncertainty as to the load specification, please contact a TI field representative.

During normal operation, some circuit components may have case temperatures greater than 85°C. The EVM is designed to operate properly with certain components above 85°C as long as the input and output ranges are maintained. These components include but are not limited to linear regulators, switching transistors, pass transistors, and current sense resistors. These types of devices can be identified using the EVM schematic located in the EVM User's Guide. When placing measurement probes near these devices during operation, please be aware that these devices may be very warm to the touch.

Mailing Address:

Texas Instruments
Post Office Box 655303
Dallas, Texas 75265

Preface

About This Manual

This user's guide describes the TPS75525EVM LDO regulator evaluation module. Each EVM contains a SLVP190 test board with one TPS75525KTT 5-A, 2.5-V linear regulator and one TPS75733KTT 3-A, 3.3-V linear regulator as well as supporting passive components. The EVM provides a convenient method of evaluating the performance of the TPS755xx and TPS757xx linear regulator families.

How to Use This Manual

- Chapter 1—Introduction
- Chapter 2—EVM Test Setup
- Chapter 3—Test Results

Trademarks

PowerFlex is a trademark of Texas Instruments.

Related Documentation From Texas Instruments

- TPS755xx data sheet (literature number SLVS293)
- TPS757xx data sheet (literature number SLVS306)



Contents

1	Introduction	1-1
1.1	TPS755xx and TPS757xx Families of LDO Regulators	1-2
1.2	EVM Design Strategy	1-2
1.3	Adjustment by Jumper and Switch	1-3
1.4	Schematic	1-4
1.5	Bill of Materials	1-5
1.6	Board Layout	1-5
2	EVM Test Setup	2-1
3	Test Results	3-1

Figures

1-1	TPS75525EVM Schematic Diagram	1-4
1-2	Top Layer	1-5
1-3	Bottom Layer (top view)	1-6
1-4	Assembly Drawing	1-6
2-1	Recommended TPS75525EVM Test Setup	2-1
3-1	Power-Up Sequencing Capability	3-1

Tables

1-1	TPS75525EVM Jumper Explanations	1-3
1-1	TPS75525EVM Recommended Jumper Settings	1-3
1-2	TPS75525EVM Bill of Materials	1-5



Introduction

This user's guide describes the TPS75525EVM LDO regulator evaluation module. Each EVM contains an SLVP190 test board with one TPS75525KTT 5-A, 2.5-V linear regulator and one TPS75733KTT 3-A, 3.3-V linear regulator, as well as supporting passive components. Although other configurations are possible through jumper selection, this EVM is configured to perform power-up sequencing, i.e., the 2.5-V regulator powers up before the 3.3-V regulator. This type of power-up sequencing is recommended when powering the 2.5-V core voltage and 3.3-V I/O voltage power supply rails in many DSP, microcontroller, and FPGA applications.

Topic	Page
1.1 TPS755xx and TPS757xx Families of LDO Regulators	1-2
1.2 EVM Design Strategy	1-2
1.3 Adjustment by Jumper and Switch	1-3
1.4 Schematic	1-4
1.5 Bill of Materials	1-5
1.6 Board Layout	1-5

1.1 TPS755xx and TPS757xx Families of LDO Regulators

Like all LDO linear regulators, the TPS755xx and TPS757xx families of LDO regulators use a series pass element and feedback network, including an error amplifier and voltage reference, to provide a regulated output voltage from a slightly higher, possibly varying input voltage. The distinguishing characteristics of these regulators include high current output, low dropout and integrated power good. Specific capabilities of these regulators include:

- 5-A (TPS755xx) and 3-A (TPS757xx) maximum load current
- Both families are available in 1.5-V, 1.8-V, 2.5-V, 3.3-V, and adjustable with active low enable ($\overline{\text{EN}}$)
- Very low dropout voltage (250 mV at 5 A for the TPS75533)
- Active low power good ($\overline{\text{PG}}$) signal
- Available in either TO-220 or TO-263 packages for maximum power dissipation capability

1.2 EVM Design Strategy

Power-up sequencing is recommended when powering the core and I/O power supply rails in many DSP, microcontroller, and FPGA applications. Designing a system without proper sequencing can result in two types of faults. The first type represents a threat to the long-term reliability of the dual voltage device. The second can cause faults in and possible permanent damage to the I/O ports of the processor or the supporting system devices. Through jumper selections, the two regulators on this EVM have been configured to perform power-up sequencing. The active low power good ($\overline{\text{PG}}$) output of the TPS75525 2.5-V regulator has been tied to the active low enable ($\overline{\text{EN}}$) input of the TPS75733 3.3-V regulator. Therefore, the 3.3-V regulator will not be enabled until the 2.5-V regulator is within approximately 90% of its regulated voltage. A high current Schottky diode has been placed between the two voltage rails so that the 2.5-V rail will pull the 3.3-V rail up to 2.5 V until the 3.3-V regulator is enabled.

The EVM board can be used to perform other tests. The jumpers can be changed as indicated in Table 1–1 so that each regulator can be separately enabled and/or disabled. U1 and U2 can be replaced with any of the TPS755xx, TPS756xx, TPS757xx, TPS758xx, and TPS759xx fixed regulator options. As per Table 1–1, changing JP4 causes resistors R4 and R5 to become usable and U1 can be replaced with one of TPS75x01 adjustable voltage option regulators. Note that diode D1 may need to be removed if the output voltage of U1 is larger than the output voltage of U3 by more than 0.3 V.

The board has been designed to accommodate either the TO-220 (KC) and TO-263 PowerFlex™ (KTT) packages, but not both at the same time. The TO-263 packages have been installed on this EVM and soldered to the ground plane area on both the top and bottom layers of the board for heat sinking. Refer to the TPS755xx and TPS757xx data sheets for the maximum power dissipation capabilities of the TO-263 packages. If the TO-263 packages are replaced with TO-220 packages, appropriate heat sinks will have to be attached to the TO-220 packages to achieve comparable power dissipation.

1.3 Adjustment by Jumper and Switch

The schematic for the EVM is provided in Figure 1–1.

Table 1–1. TPS75525EVM Jumper Explanations

Jumper or Switch	Status	Description
JP1	Open (Default)	Pin 3 of JP3 is pulled high to VIN. If pins 2–3 of JP3 are shorted, then U2 $\overline{\text{EN}}$ is pulled high to V_I thereby disabling U2. If pins 1–2 of JP3 are shorted, JP1 has no effect.
	Short	Pin 3 of JP3 is tied low to GND. If pins 2–3 of JP3 are shorted, then U2 $\overline{\text{EN}}$ is tied low to GND thereby enabling U2. If pins 1–2 of JP3 are shorted, JP1 has no effect.
JP2	Open	U1 $\overline{\text{EN}}$ pulled high to V_I thereby disabling U1.
	Short (Default)	U1 $\overline{\text{EN}}$ tied low to GND thereby enabling U1.
JP3	Short 1-2 (Default)	$\overline{\text{EN}}$ of U2 is tied to pin 1 of JP4. If pins 1–2 of JP4 are shorted, then U1 $\overline{\text{PG}}$ drives U2 $\overline{\text{EN}}$ for power up sequencing. If pins 2–3 of JP4 are shorted, then changing JP3 has no effect.
	Short 2–3	U2 $\overline{\text{EN}}$ independent of U1. U2 status is controlled by JP1
JP4	Short 1–2 (Default)	$\overline{\text{PG}}$ of U1 is tied to pin 1 of JP3. If pins 1–2 of JP3 are shorted, then U1 $\overline{\text{PG}}$ drives U2 $\overline{\text{EN}}$ for power up sequencing. If pins 2–3 of JP4 are shorted, then changing JP3 has no effect.
	Short 2–3	U1 can accommodate the TPS75x01 adjustable option regulator using resistors R4 and R5.

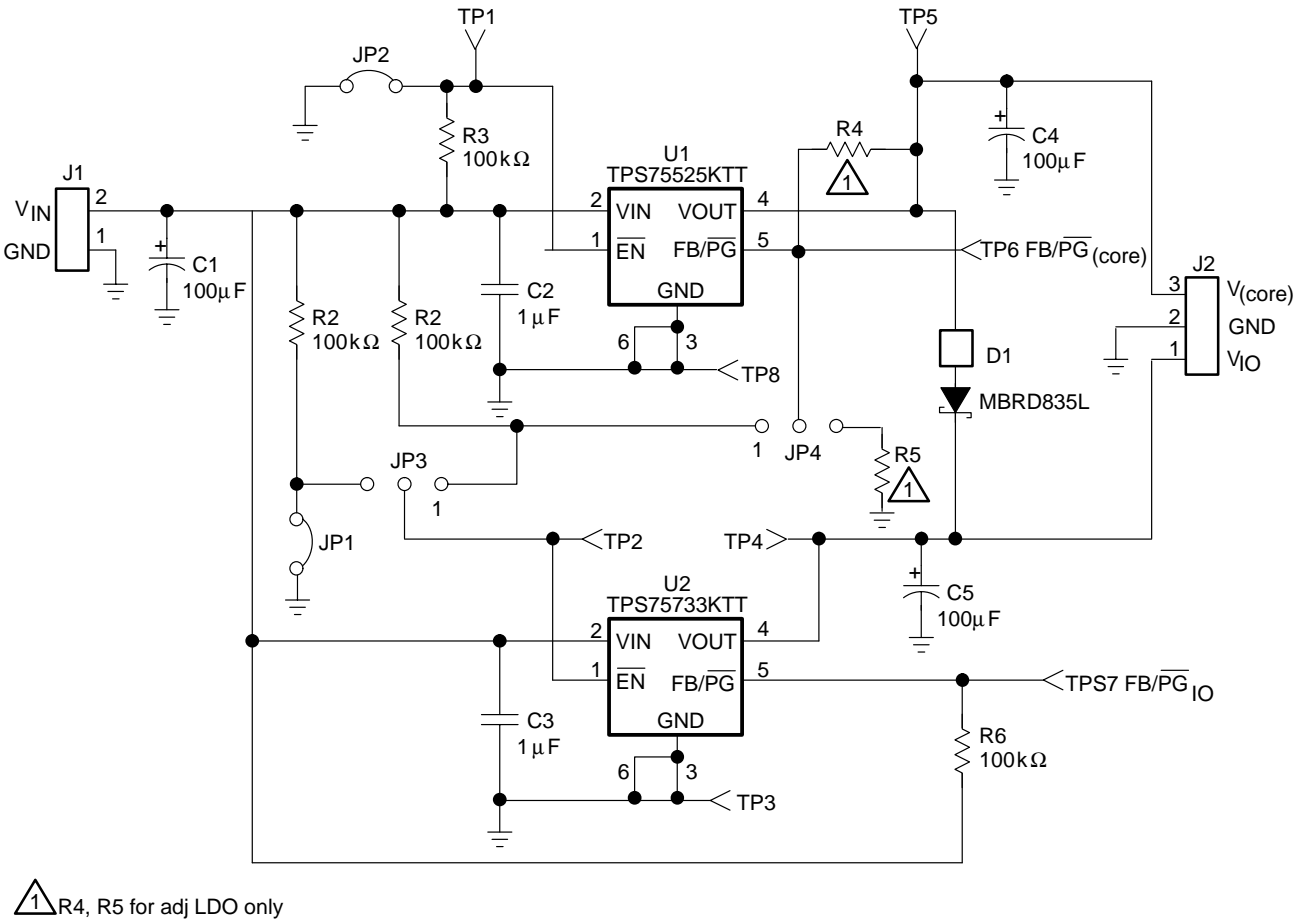
Table 1–2. TPS75525EVM Recommended Jumper Settings

JP1	JP2	JP3	JP4	Description
Open	Open	Short 1–2	Short 1–2	Recommended setup for power up sequencing when JP2 is connected to a function generator.
Open	Short	Short 1–2	Short 1–2	
Short	Short	Short 2–3	Short 1–2	Recommended setup for dc operation.
Short	Short	Short 2–3	Short 2–3	Recommended setup when replacing U2 with TPS75x01 adjustable option.

1.4 Schematic

Figure 1-1 shows the TPS75525EVM schematic diagram.

Figure 1-1. TPS75525EVM Schematic Diagram



1.5 Bill of Materials

Table 1–3 lists materials required for the TPS75525 EVMs.

Table 1–3. TPS75525EVM Bill of Materials

Qty	Ref Des	Description	Size	MFR	Part Number
3	C1, C4, C5	Capacitor, tantalum, 100 μ F, 10 V, 20%	7343 (D)	Sprague	293D107X0010D2T
2	C2, C3	Capacitor, ceramic, 1- μ F, 16 V, X7R, 10%	805	Murata	GRM40X7R105K16
1	D1	Diode, Schottky, 8.0-A, 35 V	TO-252AA	On Semi	MBRD835L
1	J1	Terminal block, 2 pin, 15 A, 5,1 mm	148830	OST	ED1609
1	J2	Terminal block, 3 pin, 15 A, 5,1 mm	221430	OST	ED1610
2	JP1, JP2	Header, 2 pin, 100 mil spacing, (36-pin strip)	0.100 \times 2	Sullins	PTC36SAAN
2	JP3, JP4	Header, 3 pin, 100 mil spacing, (36-pin strip)	0.100 \times 3	Sullins	PTC36SAAN
4	R1, R2, R3, R6	Resistor, chip, 100 k Ω , 1/10 W, 1%	805	Std	Std
0	R4, R5		805	—	—
6	TP1, TP2, TP4 – TP7	Test point, red, 1 mm	0.038	Farnell	240–345
2	TP3, TP8	Test point, black, 1 mm	0.038	Farnell	240–333
1	U1	IC, voltage regulator, LDO, 2.5 V, 5 A	267750	TI	TPS75525KTT
1	U2	IC, voltage regulator, LDO, 3.3 V, 5 A	267750	TI	TPS75733KTT
4	—	Shunt, 100 mil, black	0.1	3M	929950–00
1	—	PCB, 2.7 in \times 2.59 in \times 0.062 in		Any	SLVP190

1.6 Board Layout

Figures 1–2 and 1-3 show the board layout for the TPS75525EVM

Figure 1–2. Top Layer

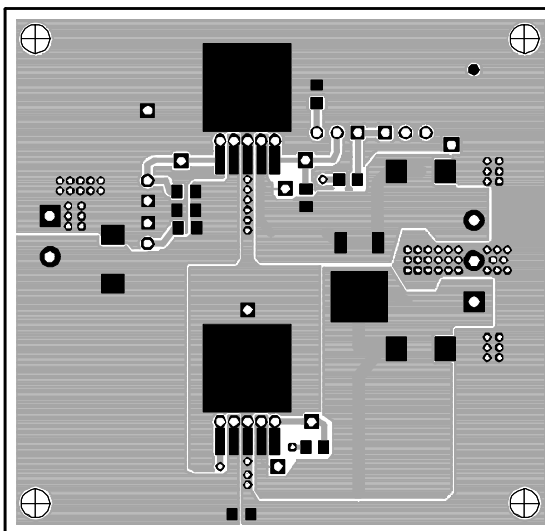


Figure 1–3. Bottom Layer (top view)

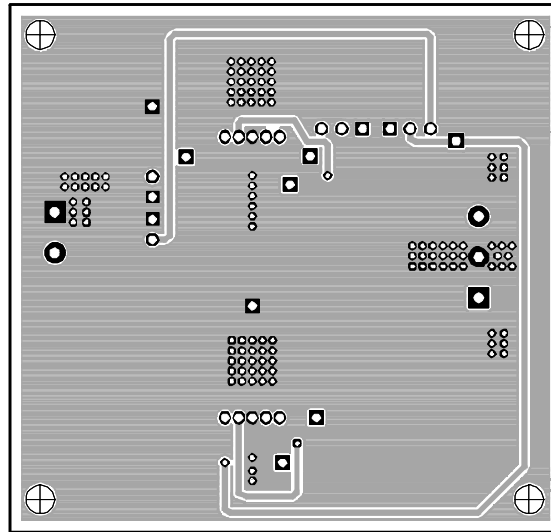
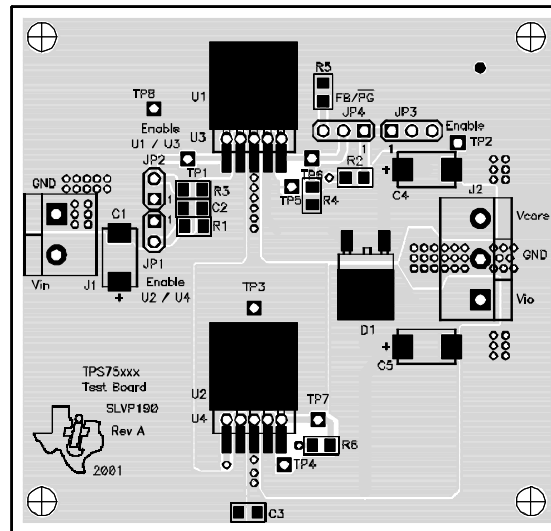


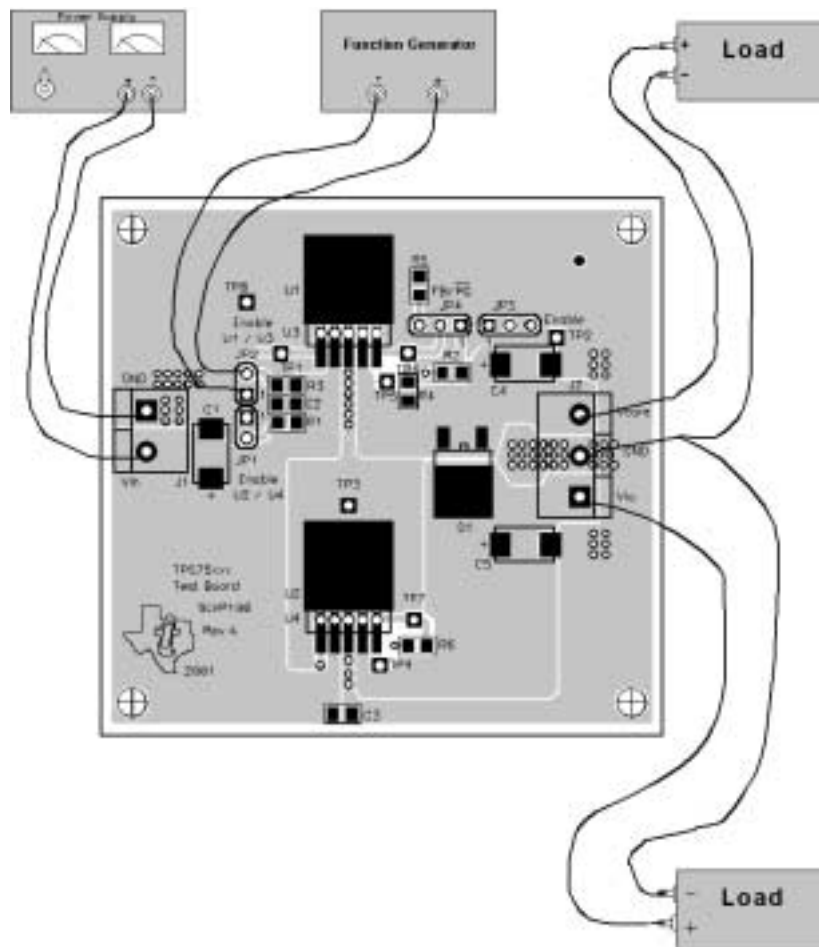
Figure 1–4. Assembly Drawing



EVM Test Setup

This chapter provides recommended test equipment and procedures for evaluating the power up sequencing capability of the TPS75525EVM. Figure 2–1 shows the test setup.

Figure 2–1. Recommended TPS75525EVM Test Setup



The following is a list of recommended equipment.

- Power supply with 5-V and 8-A current limit connected to V_I and GND.
- Oscilloscope set to 100 $\mu\text{s}/\text{div}$ and triggering off the falling edge of channel 1.
 - Channel 1—set to 5 V/div, position at 2 V, and connected to TP1
 - Channel 2—set to 1 V/div, position at -1 V, measure high or max, and connected to TP5 (U1)
 - Channel 3—set to 1 V/div, position at -4 V, measure high or max, and connected to TP4 (U2)
- Set the function generator to 1 Hz, 25% duty cycle, 0-V to 5-V amplitude (may require a setting of 2.5-V square wave and 2.5-V dc offset) square wave and connected across JP2 (per the schematic in Figure 1–1).
- A variable resistance or electronic load capable of dissipating 10 W on J2 between $V_{(\text{CORE})}$ and GND and a similar variable resistance, or an electronic load capable of dissipating 10 W on J2 between V_{IO} and GND.

The following steps are recommended for evaluating the power-up sequencing of the two devices:

- 1) Turn on the power supply, then the function generator.
- 2) Set each variable resistance or electronic load so that each regulator will provide the desired current. Do not exceed the maximum current of each device.
- 3) Verify on the oscilloscope that the voltage on channel 2 ramps up to 2.5 V before the voltage on channel 3 ramps up to 3.3 V.
- 4) Turn off the function generator then the power supply. Disconnect the function generator.

Other test setups are possible by changing the jumpers.

When performing tests that require the devices to provide large dc currents, the test board, regulators, and loads will get hot. It is the user's responsibility to ensure that the test board and load resistors can handle the power dissipation.

Refer to the TPS755xx and TPS757xx datasheets for the maximum power dissipation capabilities of the TO–263 and TO-220 packages. Additional air flow may be required to achieve the desired power dissipation. If the junction temperature of the device exceeds 125°C, the device may attempt to protect itself from damage by entering a thermal shutdown mode. The device will have to cool down before it can be restarted.

Test Results

This chapter presents laboratory test results of the TPS75525EVM obtained for the recommended test procedures in Chapter 2.

Figure 3–1 shows the power up sequencing capability of the EVM. Channel 1 is $\overline{\text{ENABLE}}$. Channel 2 is $V_{(\text{CORE})}$. Channel 3 is V_{IO} .

Figure 3–1. Power-Up Sequencing Capability

