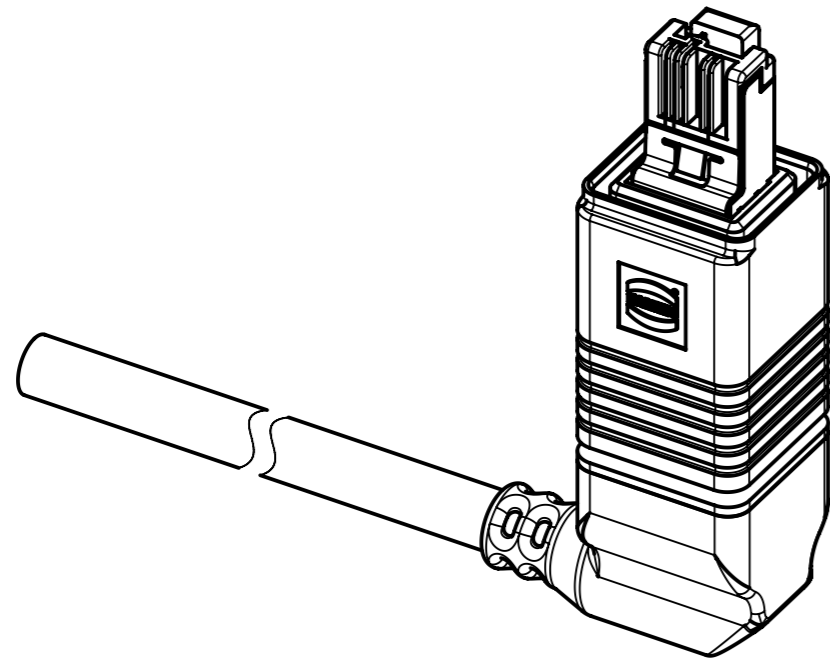


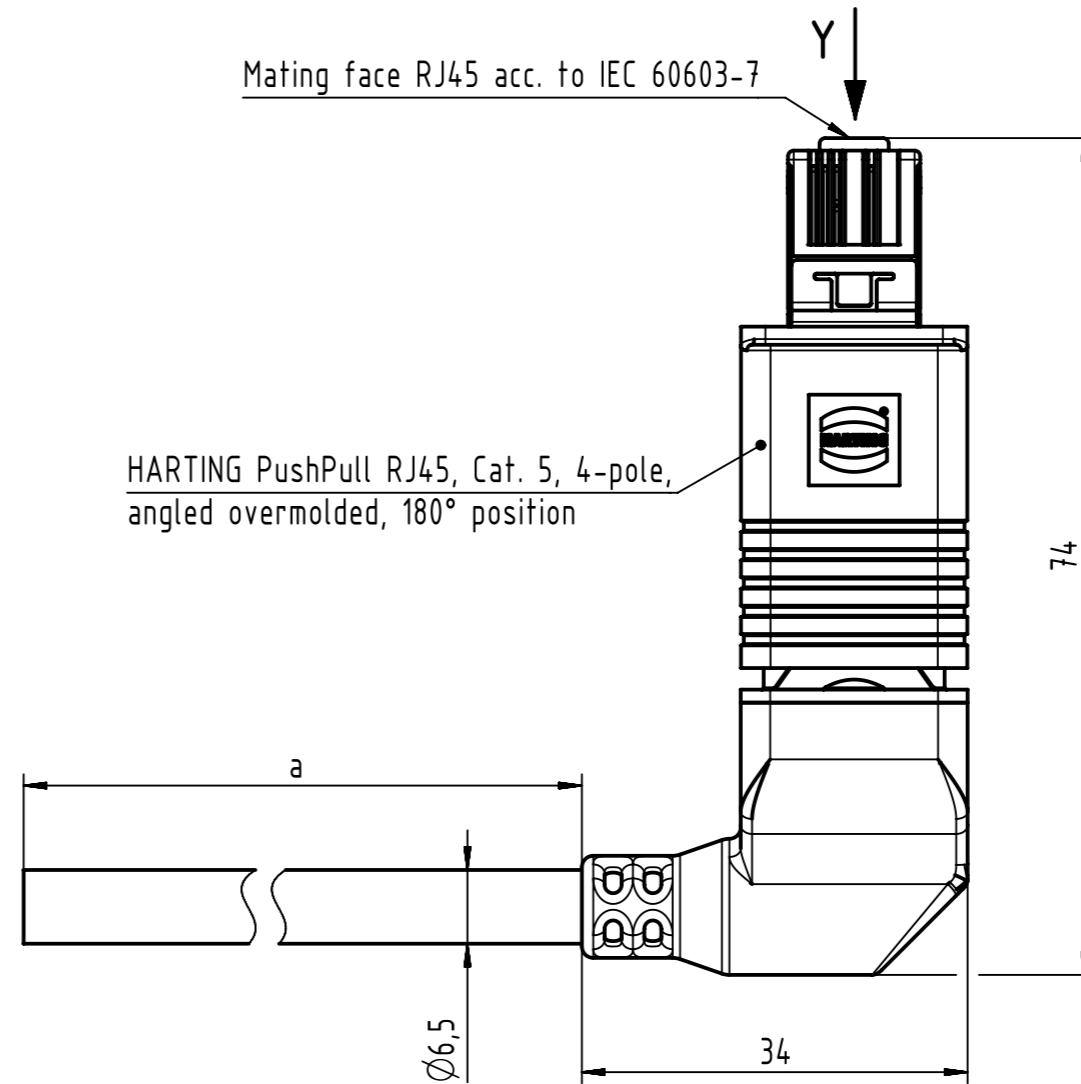
Connector Location A

Connector Location B



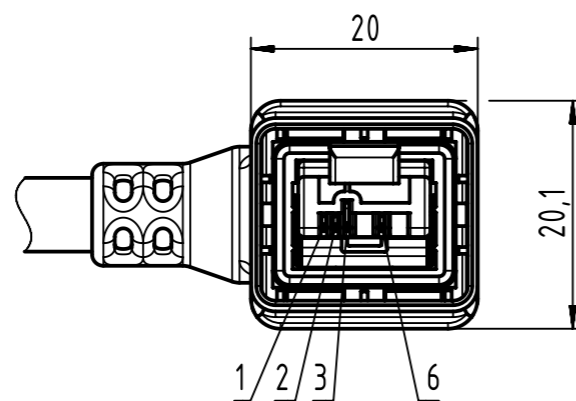
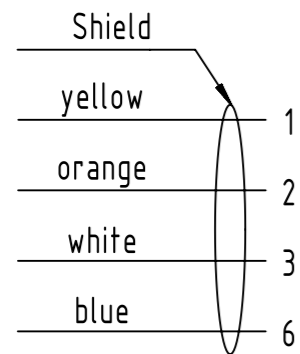
Mating face RJ45 acc. to IEC 60603-7

HARTING PushPull RJ45, Cat. 5, 4-pole, angled overmolded, 180° position



Y  
male

Loading-Plan



- Protection level: IP65/67  
- Temperature range: -40°C ... +70°C

	All rights reserved Department HCS - RO		Created by STOCHECIC Stocheci		Inspected by COSTEA Costea		Standardisation MUNTEANV Muntean		Date 2018-06-13		State Final Release	
	HARTING Customised Solutions D-32339 Espelkamp		Title <b>HARTING PushPull RJ45 Cable Assembly</b>				Doc-Key / ECM-Nr. 100155524/UGD/004/D 500000136213		Rev. <b>D</b>		Page 1/2	

	1	2	3	4
A				
B	44	09474000044		100
	43	09474000043		90
	42	09474000042		80
	41	09474000041		70
	40	09474000040		60
	39	09474000039		50
	38	09474000038		40
	37	09474000037		30
	36	09474000036		20
	35	09474000035		15
	34	09474000034		10
	33	09474000033		9
	32	09474000032		8
C	31	09474000031		7
	30	09474000030		6
	29	09474000029		5
	28	09474000028		4
	27	09474000027		3
	26	09474000026		2
	25	09474000025		1.5
	24	09474000024		1
	23	09474000023		0.5
D	22	09474000022		100
	21	09474000021		90
	20	09474000020		80
	19	09474000019		70
	18	09474000018		60
	17	09474000017		50
	16	09474000016		40
	15	09474000015		30
	14	09474000014		20
	13	09474000013		15
	12	09474000012		10
E	11	09474000011		9
	10	09474000010		8
	9	09474000009		7
	8	09474000008		6
	7	09474000007		5
	6	09474000006		4
	5	09474000005		3
	4	09474000004		2
	3	09474000003		1.5
	2	09474000002		1
	1	09474000001		0.5
F	Cont. no.	Part no.	Type of cable	Dim. a[m]
			RJI Ethernet stranded cable, 4xAWG22/7, PVC, Cat. 5+, green	
			RJI Ethernet standard cable, AWG22/1, 2x2x0.64, PVC, Cat. 5+, green	

	5	6	7	8
	88	09474000088		100
	87	09474000087		90
	86	09474000086		80
	85	09474000085		70
	84	09474000084		60
	83	09474000083		50
	82	09474000082		40
	81	09474000081		30
	80	09474000080		20
	79	09474000079		15
	78	09474000078		10
	77	09474000077		9
	76	09474000076		8
	75	09474000075		7
	74	09474000074		6
	73	09474000073		5
	72	09474000072		4
	71	09474000071		3
	70	09474000070		2
	69	09474000069		1.5
	68	09474000068		1
	67	09474000067		0.5
	66	09474000066		100
	65	09474000065		90
	64	09474000064		80
	63	09474000063		70
	62	09474000062		60
	61	09474000061		50
	60	09474000060		40
	59	09474000059		30
	58	09474000058		20
	57	09474000057		15
	56	09474000056		10
	55	09474000055		9
	54	09474000054		8
	53	09474000053		7
	52	09474000052		6
	51	09474000051		5
	50	09474000050		4
	49	09474000049		3
	48	09474000048		2
	47	09474000047		1.5
	46	09474000046		1
	45	09474000045		0.5
	Cont. no.	Part no.	Type of cable	Dim. a[m]
			RJI Ethernet stranded cable, AWG22/7, 2x2x0.75, outdoor, PVC, Cat. 5+, black	
			RJI Ethernet trailing cable, AWG22/7, 2x2x0.75, PUR, Cat. 5+, green	
		All Dimensions in mm	Tech. Character.	Free size tol.
		According to production drawing		
		All rights reserved	Created by STOCEVIC Stocheci	Inspected by COSTEA Costea
		Department HCS - RO	Standardisation MUNTEANV Muntean	Date 2018-06-13
			State Final Release	
			Title HARTING PushPull RJ45 Cable Assembly	
			Doc-Key / ECM-Nr. 100155524/UGD/004/D 500000136213	
			Type TB	Number 09474000XXX
			Rev. D	Page 2/2