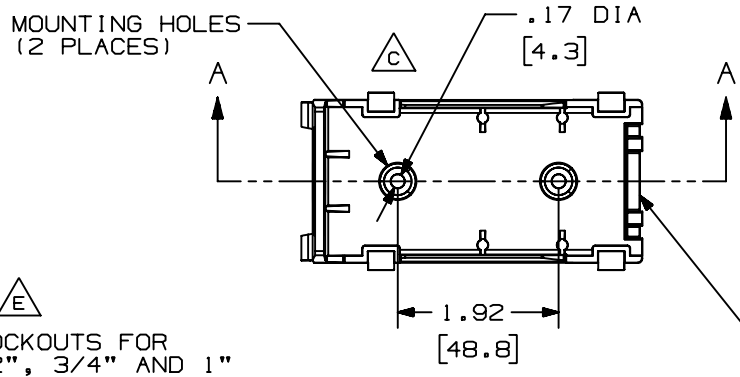


THIS COPY IS PROVIDED ON A RESTRICTED BASIS AND IS NOT TO BE USED IN ANY WAY DETRIMENTAL TO THE INTERESTS OF PANDUIT CORP.

PANDUIT P/N	WEIGHT
DCEFX-X	18.7 LB/100 PCS (8500g/100 PCS)

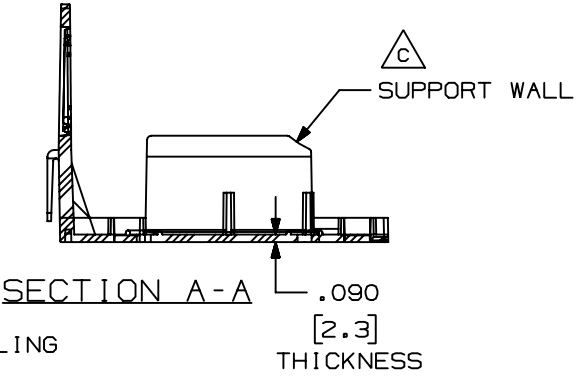
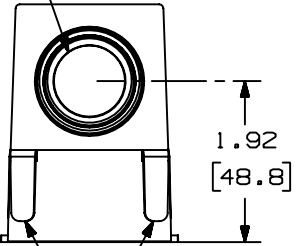
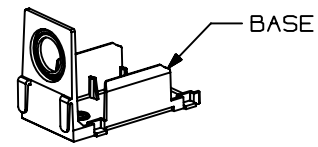
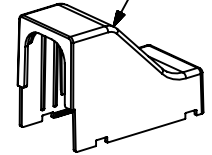


- NOTES:**
- SEE CURRENT CATALOG FOR ADDITIONAL PART NUMBER SUFFIXES TO INDICATE COLOR AND/OR PACKAGE QUANTITY.
 - CAN BE USED WITH VARIOUS TYPES OF PAN-WAY RACEWAYS AND ADAPTERS.
 - DIMENSIONS IN PARENTHESES ARE IN METRIC.

KNOCKOUTS FOR 1/2", 3/4" AND 1" CONDUIT ENTRIES

BREAKOUTS FOR RACEWAY ENTRY

COVER SEE SHT. 2 OF 2



SUSPENDED CEILING HOLDING TABS

THICKNESS

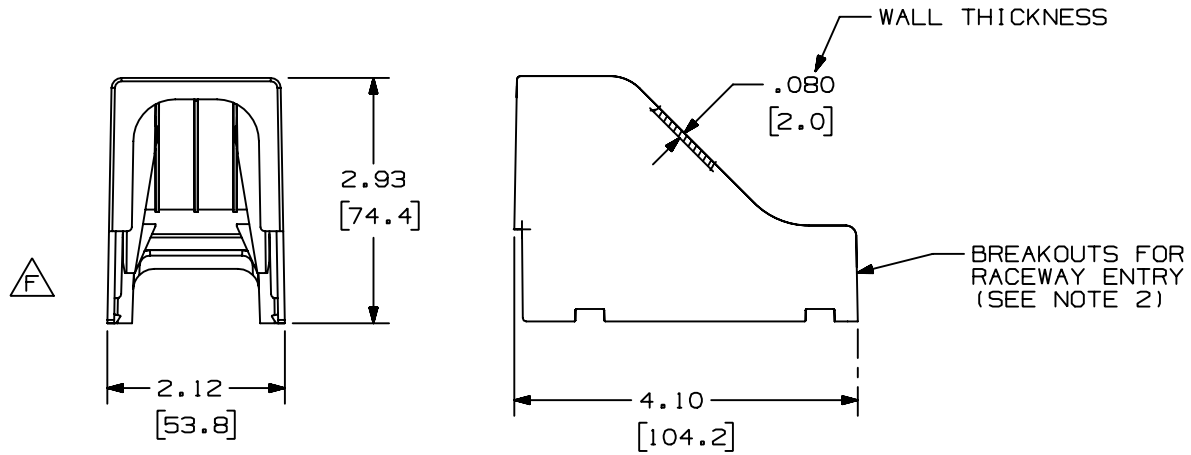
CAD FILENAME/LAYERS D35542BA_DCEFX_03

PANDUIT CORP. TINLEY PARK, ILLINOIS
DROP CEILING ENTRANCE FITTING (DCEFX-X)
 CUSTOMER DRAWING

REV	DATE	BY	CHK	DESCRIPTION	ECN	CHK	CUST	SUP
3	1-02-97	RCA	CEF	G. ADDED SEE SHEET 1 OF 2 FOR REVISION ON PAGE 2, REV 2.	35542-01	CEF	CEF	
-	-----	--	---	F. REVISED GEOMETRY - ADDED INTERIOR RIBS E. REVISED EDGE RADIUS	-----	---	---	
2	12-17-96	PM	CEF	D. REVISED WEIGHT C. ADDED SUPPORT WALL	35542-01	CEF	CEF	
1	10-16-96	RCA	CEF	B. CHANGED P/N FROM DCEFX-A TO DCEFX-X. A. REMOVED NOTE 3 AND NOTES RELATING TO ADHESIVE.	35542-01	CEF	CEF	
R	3-26-96	DW	CEF	RELEASED TO PRODUCTION.	35542-01	CEF		

UNLESS OTHERWISE SPECIFIED, DIMENSIONAL TOLERANCES ARE: (.X) ± (.XXX) ±.010(.3) (.XX) ±.03(.8) ANGLES ±		UNLESS OTHERWISE SPECIFIED, ALL DIMENSIONS ARE GIVEN IN INCHES, THIRD ANGLE PROJECTION.	
DRAWN BY DW	MAT'L: PVC	SCALE NONE	
DATE 3-26-96	CHECKED BY CEF	DRAWING NO. 35542-01 SHT 1 OF 2	DWG A SIZE

THIS COPY IS PROVIDED ON A RESTRICTED BASIS AND IS NOT TO BE USED IN ANY WAY DETRIMENTAL TO THE INTERESTS OF PANDUIT CORP.



△

CAD FILENAME/LAYERS										D35542BA_DCEFX_03					
										<h1>PANDUIT</h1> CORP. TINLEY PARK, ILLINOIS DROP CEILING ENTRANCE FITTING (DCEFX-X) CUSTOMER DRAWING					
												UNLESS OTHERWISE SPECIFIED, DIMENSIONAL TOLERANCES ARE: (.X) ± (.XXX) ±.010(.3) (.XX) ±.03(.8) ANGLES ±		UNLESS OTHERWISE SPECIFIED, ALL DIMENSIONS ARE GIVEN IN INCHES, THIRD ANGLE PROJECTION.	
												DRAWN BY DW		MAT'L: PVC	
DATE 03-26-96		CHECKED BY CEF		DRAWING NO. 35542-01 SHT 2 OF 2		DWG A SIZE									

REV	DATE	BY	CHK	DESCRIPTION	ECN	CHK	CUST	SUP
3	01-02-96	RCA	CEF	FOR REVISIONS SEE SHT 1 OF 2.	35542-01	CEF	CEF	
2	12-17-96	PM	CEF	FOR REVISIONS SEE SHT 1 OF 2.	35542-01	CEF	CEF	
1	10-16-96	RCA	CEF	FOR REVISIONS SEE SHT 1 OF 2.	35542-01	CEF	CEF	
R	03-26-96	DW	CEF	FOR REVISIONS SEE SHT 1 OF 2.	35542-01	CEF	CEF	