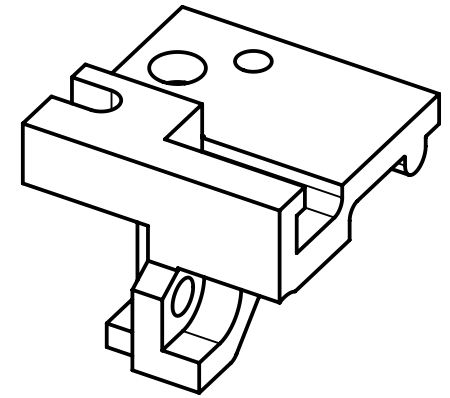
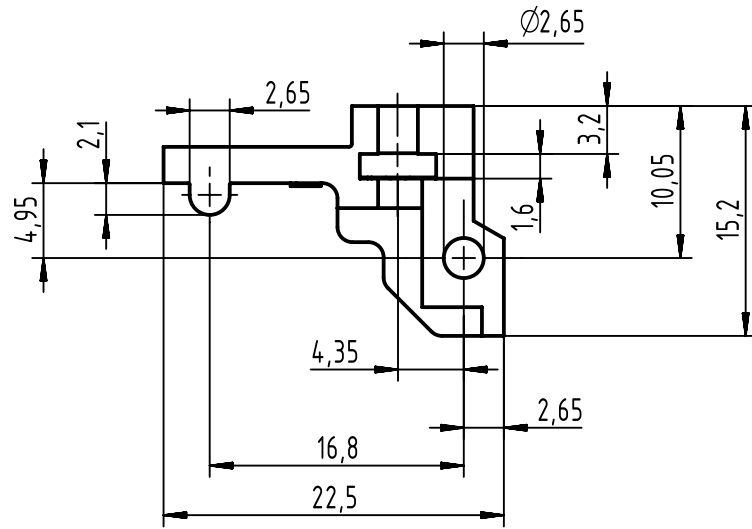
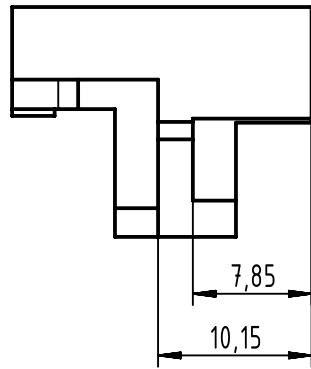
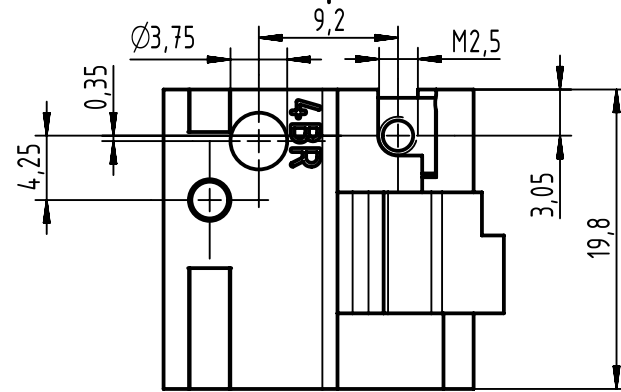



A

B

C

D



	All rights reserved Department EC PD - DE	All Dimensions in mm Original Size DIN A4			Scale 2:1	Free size tol.	Ref. Sub. 09 06 901 9925 / 31980 / 24.03.04
		Created by TADJE	Inspected by DAHMS	Standardisation HOFFMANN	Date 2014-02-27	State Final Release	
HARTING Electronics GmbH D-32339 Espelkamp		Title DIN Power fixing bracket BR 20mm metallized with nut				Doc-Key / ECM-Nr. 100072777/UGD/004/B 500000071935	
		Type TB	Number 09069019925			Rev. B	Page 1/1