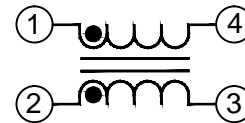
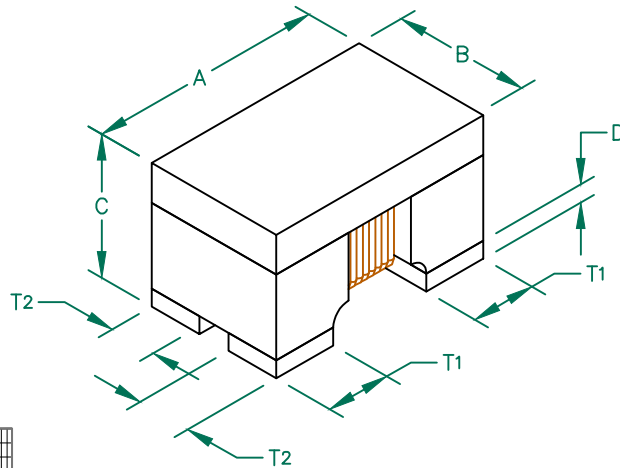


CM0805A371R-10

PHYSICAL DIMENSIONS:

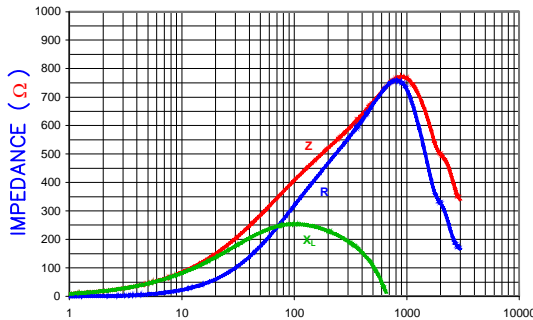
A	2.00 [.079]	+ 0.20 [.008]
B	1.20 [.047]	+ 0.20 [.008]
C	1.20 [.047]	+ 0.20 [.008]
D	0.15 [.006]	+ 0.10 [.004]
T1	0.55 [.022]	+ 0.10 [.004]
T2	0.46 [.018]	+ 0.10 [.004]



Electrical Characteristics		Nominal	Min	Max
Common Mode Impedance @ 100MHz	(Ω)	370	278	436
DCR	(Ω)	-	-	0.5
Rated Current	(mA)	-	-	100

- NOTES: UNLESS OTHERWISE SPECIFIED
1. TAPED AND REELED per CURRENT EIA SPECIFICATIONS 7" REELS, EMBOSSED PLASTIC TAPE 2,000 PCS/REEL.
 2. TERMINATION FINISH 100% MATTE TIN.
 3. COMPONENTS SHOULD BE ADEQUATELY PREHEATED BEFORE SOLDERING.
 4. OPERATING TEMP. RANGE: $-40^{\circ}\text{C} \sim +125^{\circ}\text{C}$. (INCLUDING SELF-HEATING)

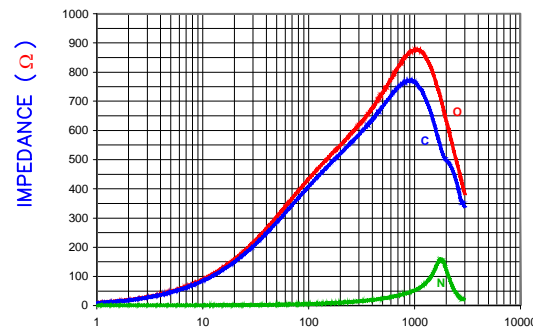
Z, R, XL vs. FREQUENCY



FREQUENCY (MHz)

Z R XL

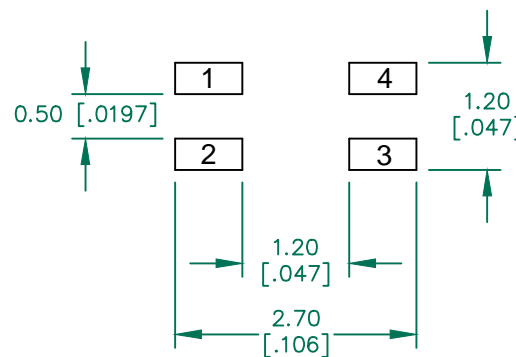
Z vs. FREQUENCY (C,N,O)



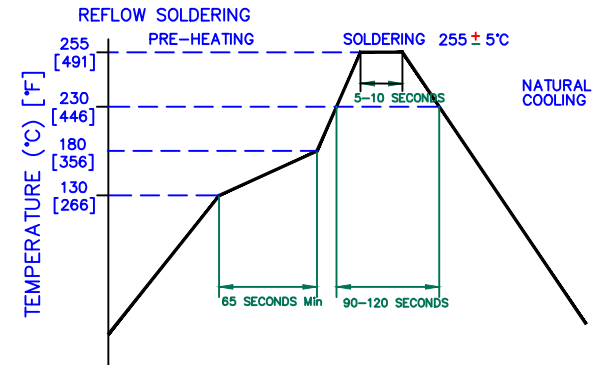
FREQUENCY (MHz)

Open Common Normal

LAND PATTERNS FOR REFLOW SOLDERING



RECOMMENDED SOLDERING CONDITIONS



DIMENSIONS ARE IN mm [INCHES].				This print is the property of Laird Tech. and is loaned in confidence subject to return upon request and with the understanding that no copies shall be made without the written consent of Laird Tech. All rights to design or invention are reserved.			
D	ADD OPERATING TEMPERATURE UPDATE LAIRD LOGO AND REFLOW CURVE	08/05/13	QU	PROJECT/PART NUMBER: CM0805A371R-10		REV	D
C	UPDATE COMPANY LOGO	04/28/09	JRK	DATE: 08/11/06		PART TYPE:	CM CHOKE
B	UPDATE COMPANY LOGO	05/10/07	JRK	SCALE: NTS		DRAWN BY:	JRK
A	ORIGINAL DRAFT	08/11/06	JRK	SHEET:		1 of 1	
REV	DESCRIPTION	DATE	INT	CAD #	CM0805A371R-10-D	TOOL #	-

