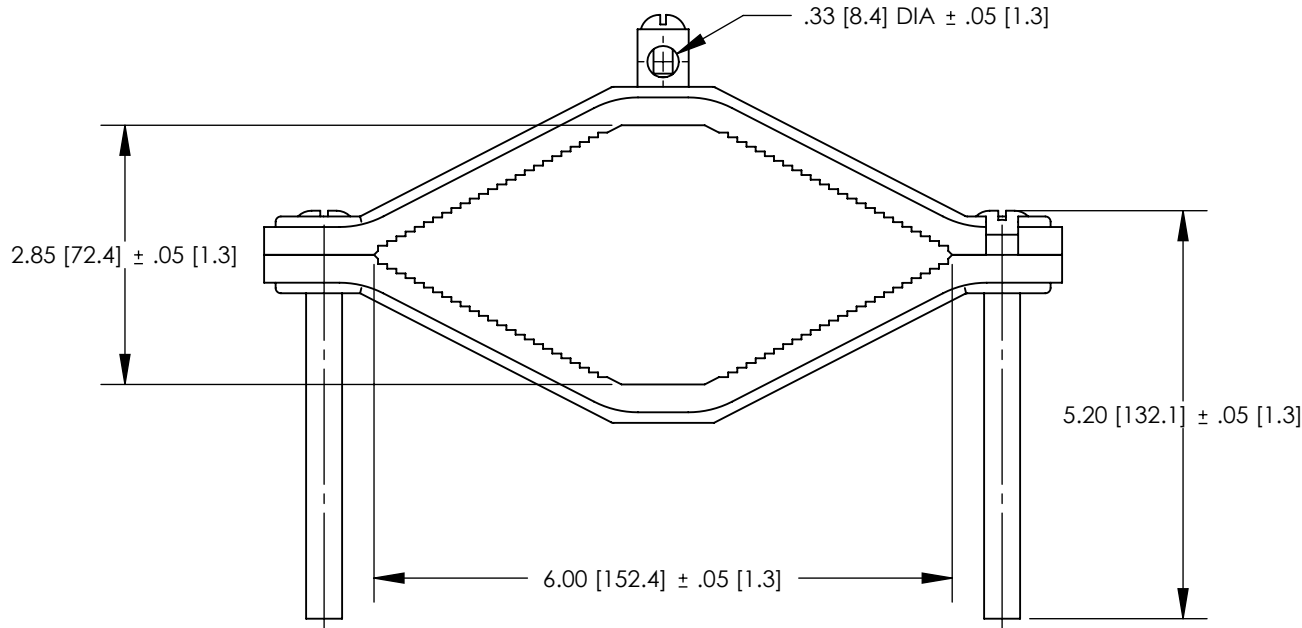
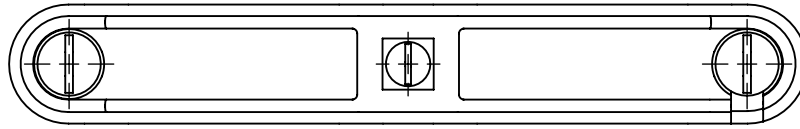
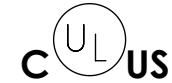


THIS COPY IS PROVIDED ON A RESTRICTED BASIS AND IS NOT TO BE USED IN ANY WAY DETRIMENTAL TO THE INTERESTS OF PANDUIT CORP.



NOTES:

- MATERIAL:  
BODY - BRONZE (GUN METAL)  
SCREW - STEEL, ZINC PLATED
- PARTS ARE cULus LISTED TO UL467 AS  
GROUNDING & BONDING EQUIPMENT.
- SEE WWW.PANDUIT.COM FOR PART NUMBER  
SUFFIX DESIGNATION FOR PACKAGE SIZE.



PART NUMBER	DESCRIPTION	WATER PIPE SIZE	GROUNDING WIRE
GPC2-6	GROUND CLAMP BARE WIRE WITH STEEL SCREWS	4" - 6"	10 - 2 STR

REV	DATE	BY	CHK	APR	DESCRIPTION	ECN
00	7/12	JHNU	SRBI	RGB	DRAWING RELEASED	10J018AV-JC

TITLE		BRONZE GROUND PIPE CLAMP - 4"-6" (GPC2-6) CUSTOMER DRAWING	
ITEM REVISION NAME	10J018AV/00		
DATASET FILE NAME	10J018AV-JC/00.SLDDRW		
UNLESS OTHERWISE SPECIFIED, DIMENSIONAL TOLERANCES ARE: IN [mm]		MATERIAL	
.X ±	.XXX ±	SEE NOTES	
.XX ±	ANGLES ±		
DRAWN BY JHNU		DATE 7/12	SCALE N/A
THIRD ANGLE PROJECTION		DRAWING NUMBER 10J018AV-JC	
SHEET 1 OF 1		SIZE A	