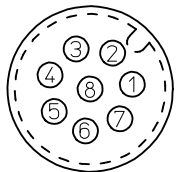


M12 8POLE FEMALE



VIEW FROM THE WIRES SIDE

Pin	Wire color
1	WHITE
2	BROWN
3	GREEN
4	YELLOW
5	GRAY
6	PINK
7	BLUE
8	RED

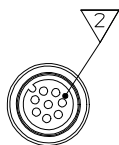
PART No MATRIX

8	0	8	S	0	0	*	*	*	M	*	*	*	*	*
8=Micro Change	0=Portable	8=8 Core	500 = Shielded Female Straight			P19 - Black BRD PUR 0.25mm S19 - Yellow Braided PVC 0.25mm E62 - Gray SHLD PVC 0.25mm			M=Metres F=Feet	LENGTH 020-2 METRES 050-5 METRES 200-20 METRES			OVERMOULD COLOUR Blank=Black (Standard) A=Grey Y=Yellow	

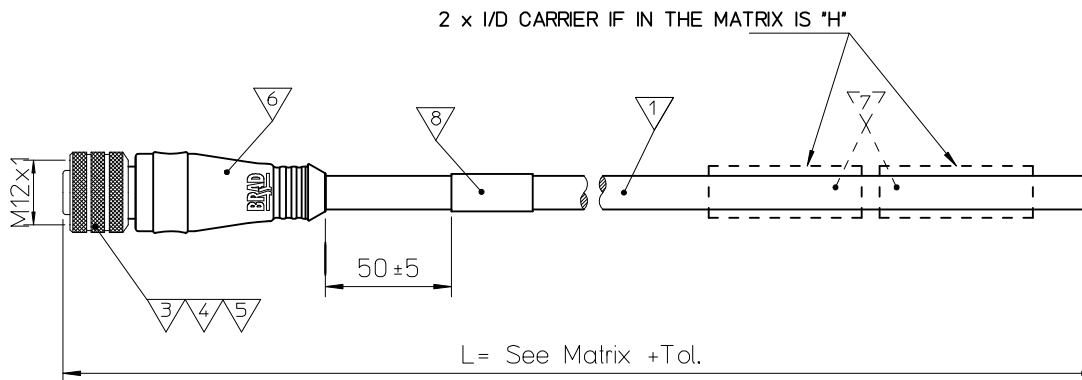
Over	Up to and including	Tolerance (+)
0	305	+19
305	915	+45
915	1830	+56
1830	3660	+89
3660	7320	+165
7320	14640	+317
14640	30500	+610
30500	>	+2% of length

- OPTIONS
- ▽6 OVERMOULD COLOUR  
Blank=Black (Standard)  
A=Grey  
Y=Yellow
  - ▽3 COUPLING NUT MATERIAL  
Blank=Standard  
1 = Stainless steel  
5 = Delrin  
7 = Teflon coat
  - ▽7 ID CARRIER  
H=2xID CARRIER

SHIELD CONNECTED TO COUPLING NUT



VIEW FROM THE FRONT SIDE

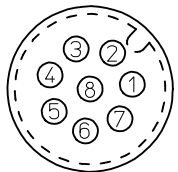


Bill of Materials

ITEM	QTY.	DESCRIPTION	MATERIAL	FINISH
8	1	LABEL	-	-
7	-	ID CARRIER	SEE MATRIX	SEE MATRIX
6	-	MOLDING MATERIAL	SEE MATRIX	SEE MATRIX
5	1	O-RING	FPM	RED
4	-	CONTACT FEMALE	SEE MATRIX	SEE MATRIX
3	1	COUPLING NUT FEMALE M12	SEE MATRIX	SEE MATRIX
2	1	INSERT M12 FEMALE	SEE MATRIX	SEE MATRIX
1	-	CABLE	SEE MATRIX	SEE MATRIX

<p>ORIGINAL RELEASE EC NO: IPG2016-0383 DRWN:AKONDRAC IUK 2015/09/10 CHKD:MMAJGAT 2015/09/10 APPR:MIWASIECZKO 2015/09/29</p>	QUALITY SYMBOLS	GENERAL TOLERANCES (UNLESS SPECIFIED)	DIMENSION STYLE	SCALE	DESIGN UNITS	THIRD ANGLE PROJECTION	
	▽=0 ∇=0	mm INCH	MM ONLY	---	METRIC		
		4 PLACES ± --- ± --- 3 PLACES ± --- ± --- 2 PLACES ± --- ± --- 1 PLACE ± --- ± --- 0 PLACE ± --- ± ---	DRAWN BY DATE AKONDRAC IUK 2015/09/10 CHECKED BY DATE MMAJGAT 2015/09/10 APPROVED BY DATE MIWASIECZKO 2015/09/29	TITLE	MMC-8P-ST-XXX-PUR-SHIELDED		
		ANGULAR ± 1 ° DRAFT WHERE APPLICABLE MUST REMAIN WITHIN DIMENSIONS	MATERIAL NO. SEE MATRIX	DOCUMENT NO. SD-120069-036	SHEET NO. 1 OF 1		

M12 8POLE FEMALE



VIEW FROM THE WIRES SIDE

Pin	Wire color
1	WHITE
2	BROWN
3	GREEN
4	YELLOW
5	GRAY
6	PINK
7	BLUE
8	RED

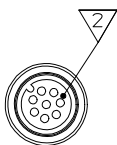
PART No MATRIX

8	0	8	S	0	0	*	*	*	M	*	*	*	*	*
8=Micro Change	0=Portable	8=8 Core	500 = Shielded Female Straight			P19 - Black BRD PUR 0.25mm S19 - Yellow Braided PVC 0.25mm E62 - Gray SHLD PVC 0.25mm			M=Metres F=Feet	LENGTH 020-2 METRES 050-5 METRES 200-20 METRES			OVERMOULD COLOUR Blank=Black (Standard) A=Grey Y=Yellow	

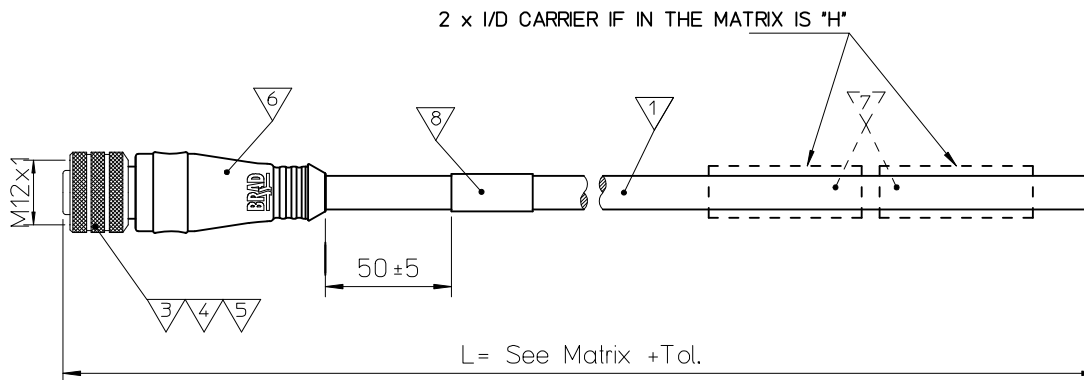
Over	Up to and including	Tolerance (+)
0	305	+19
305	915	+45
915	1830	+56
1830	3660	+89
3660	7320	+165
7320	14640	+317
14640	30500	+610
30500	>	+2% of length

- OPTIONS
- ▽6 OVERMOULD COLOUR  
Blank=Black (Standard)  
A=Grey  
Y=Yellow
  - ▽3 COUPLING NUT MATERIAL  
Blank=Standard  
1 = Stainless steel  
5 = Delrin  
7 = Teflon coat
  - ▽7 ID CARRIER  
H=2xID CARRIER

SHIELD CONNECTED TO COUPLING NUT



VIEW FROM THE FRONT SIDE



Bill of Materials

ITEM	QTY.	DESCRIPTION	MATERIAL	FINISH
8	1	LABEL	-	-
7	-	ID CARRIER	SEE MATRIX	SEE MATRIX
6	-	MOLDING MATERIAL	SEE MATRIX	SEE MATRIX
5	1	O-RING	FPM	RED
4	-	CONTACT FEMALE	SEE MATRIX	SEE MATRIX
3	1	COUPLING NUT FEMALE M12	SEE MATRIX	SEE MATRIX
2	1	INSERT M12 FEMALE	SEE MATRIX	SEE MATRIX
1	-	CABLE	SEE MATRIX	SEE MATRIX

<p>ORIGINAL RELEASE EC NO: IPG2016-0383 DRWN:AKONDRAC IUK 2015/09/10 CHKD:MMAJGAT 2015/09/10 APPR:MIWASIECZKO 2015/09/29</p>	QUALITY SYMBOLS	GENERAL TOLERANCES (UNLESS SPECIFIED)	DIMENSION STYLE	SCALE	DESIGN UNITS	THIRD ANGLE PROJECTION	
	▽=0 ∇=0	mm INCH	MM ONLY	---	METRIC		
		4 PLACES ± --- ± --- 3 PLACES ± --- ± --- 2 PLACES ± --- ± --- 1 PLACE ± --- ± --- 0 PLACE ± --- ± ---	DRAWN BY DATE AKONDRAC IUK 2015/09/10 CHECKED BY DATE MMAJGAT 2015/09/10 APPROVED BY DATE MIWASIECZKO 2015/09/29	TITLE	MMC-8P-ST-XXX-PUR-SHIELDED		
		ANGULAR ± 1 ° DRAFT WHERE APPLICABLE MUST REMAIN WITHIN DIMENSIONS	MATERIAL NO. SEE MATRIX	DOCUMENT NO. SD-120069-036	SHEET NO. 1 OF 1		