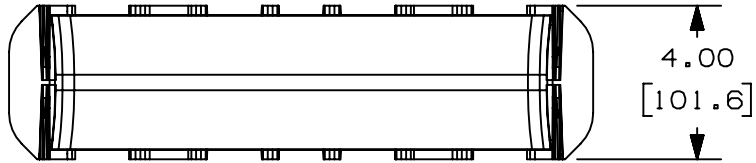


2

1

THIS COPY IS PROVIDED ON A RESTRICTED BASIS AND IS NOT TO BE USED IN ANY WAY DETRIMENTAL TO THE INTERESTS OF PANDUIT CORP.

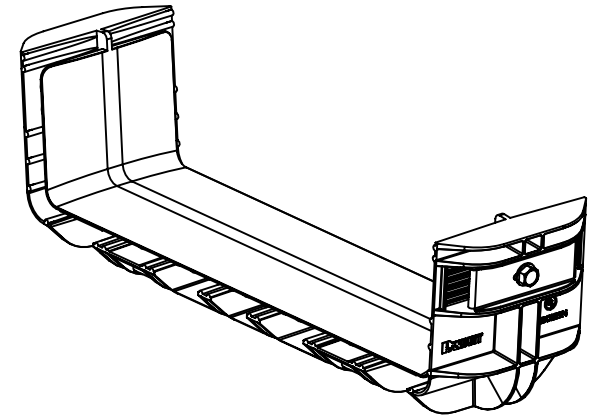
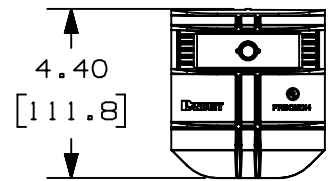
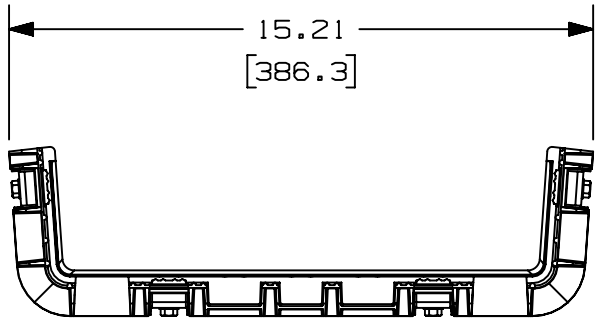


PANDUIT PART NUMBER	WEIGHT	MATERIAL
FRBC12X4**	1.2 LB/EACH (544g/EACH)	ABS-STEEL
FRBC12X4L**	1.2 LB/EACH (544g/EACH)	PC/ABS-STEEL



NOTES:

- SEE CURRENT CATALOG FOR ADDITIONAL PART SUFFIXES TO INDICATE COLOR AND/OR PACKAGE QUANTITY.
- DIMENSIONS IN PARENTHESES ARE IN METRIC.



A

A

REV	DATE	BY	CHK	APR	DESCRIPTION	ECN
04B	1-14-20	MES	DWR	DWR	K. ADDED FRBC12X4L** PART NUMBER	V09002DZ/01
4	05-16-13	JBN	RTFI	RN	J. UPDATED DRAWING BORDER & TITLE BLOCK	37617-78

<p>TITLE FIBERRUNNER 12X4 QUIKLOCK COUPLER FRBC12X4**, FRBC12X4L** CUSTOMER DRAWING</p>					
<p>ITEM REVISION NAME D37617DT/03</p>					
<p>DATASET FILE NAME D37617DT_DC/04B</p>					
<p>UNLESS OTHERWISE SPECIFIED, DIMENSIONAL TOLERANCES ARE: IN [mm]</p>					
<p>.X ± .XX ± .03 [.8]</p>		<p>.XXX ± ANGLES ±</p>		<p>MATERIAL: SEE PART NUMBER TABLE ABOVE</p>	
				<p>DRAWING NUMBER: 37617-78</p>	
<p>DRAWN BY JHNU</p>	<p>DATE 01-03-01</p>	<p>CHK DJWA</p>	<p>SCALE NONE</p>	<p>SHT 1 OF 1</p>	<p>SIZE A</p>

2

1

D10100DA/15