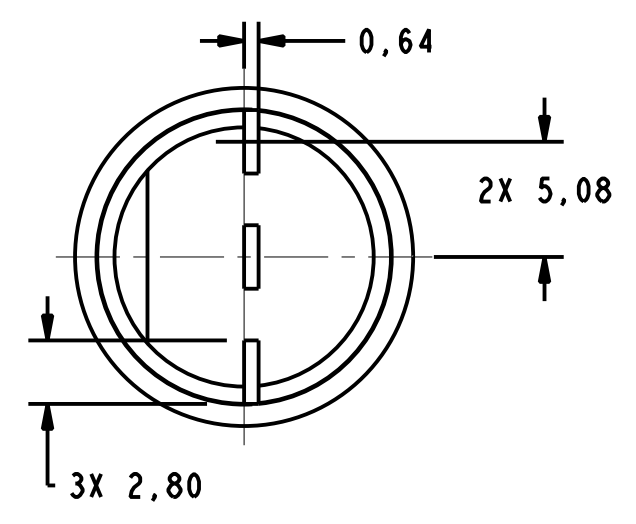
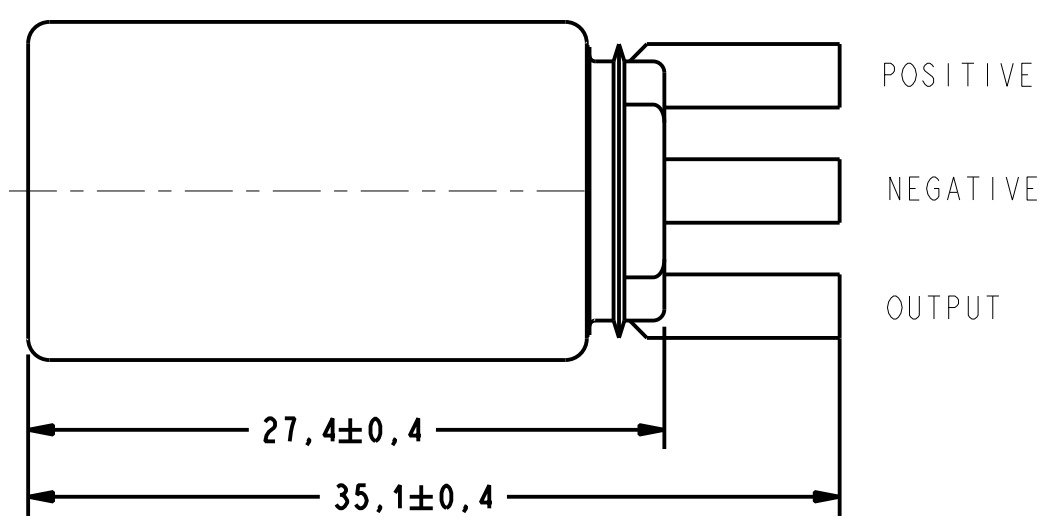
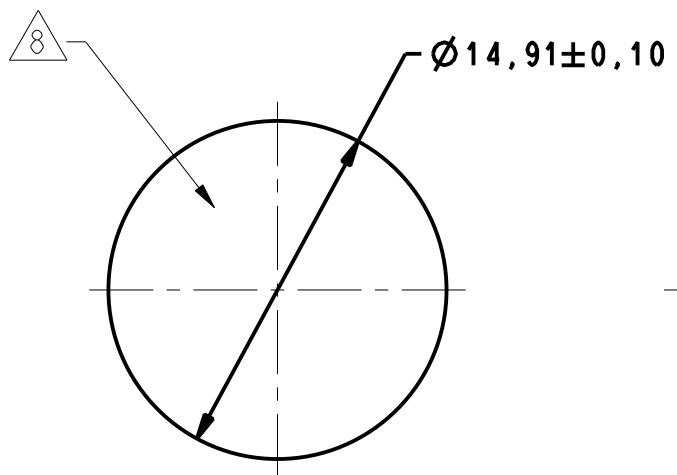


SCALE 1:1



ABSOLUTE MAXIMUM RATINGS

SUPPLY VOLTAGE	+32V CONTINUOUS
VOLTAGE EXTERNALLY APPLIED TO OUTPUT	-0.5 TO +30V (OUTPUT HIGH)
OUTPUT CURRENT	40 mA SINKING
TEMP	150°C

RECOMMENDED OPERATING CONDITIONS

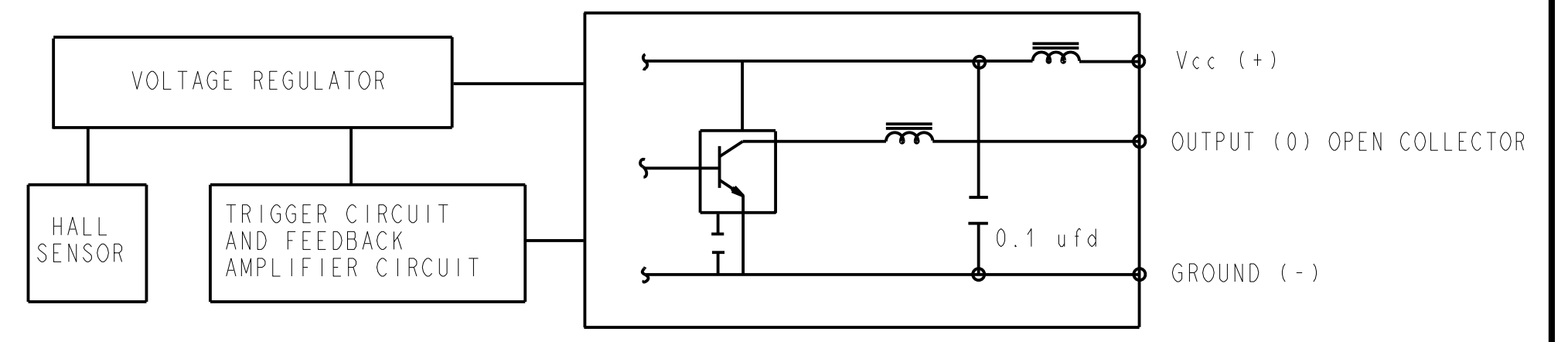
PARAMETER	CONDITIONS	MIN	TYP	MAX	UNITS
OPERATING TEMPERATURE		-40		+150	°C
SUPPLY VOLTAGE		4.5		24	VDC
SUPPLY CURRENT			10	20	mA
OUTPUT VOLTAGE	LOW OUTPUT			0.4	VDC
OUTPUT CURRENT	LOW OUTPUT			20	mA
OUTPUT LEAKAGE CURRENT	HIGH OUTPUT			10	µA
RISE TIME	10% TO 90%			2.0	µS
FALL TIME	90% TO 10%			1.0	µS

OPERATING SPECIFICATIONS

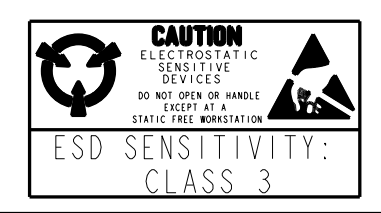
	LIMIT	CONDITIONS	UNITS
OPERATE	2.75° ± 1.5°	AIR GAP 0.13 - 2.03 V SUPPLY 4.5-24 TEMP -40 TO 150 RPM 15 TO 3600	mm VOLTS DEG
RELEASE	3.0° ± 2.5°		

NOTES

- 1 TARGET SHOULD BE MADE OF C-1018 STEEL OR ENGINEERING APPROVED EQUIVALENT, ANNEAL AFTER MACHINING OR FORMING
- 2 MAX LIMITS THAT SWITCH WILL WITHSTAND WITHOUT DAMAGE
- 3 OPERATING SPECIFICATION IS BASED ON TARGET SHOWN IN FIGURE 1 AND WILL VARY WITH TARGET GEOMETRY
- 4 OPERATE (DEGREES) IS THE ANGULAR DISTANCE FROM THE LEADING EDGE OF THE TOOTH TO THE CENTERLINE OF THE SENSOR
- 5 RELEASE (DEGREES) IS THE ANGULAR DISTANCE FROM THE TRAILING EDGE OF THE TOOTH TO THE CENTERLINE OF THE SENSOR
- 6 ELECTRICAL CHARACTERISTICS ARE GUARANTEED WITH MAX EXTERNAL LOAD CAPACITANCE < 550 pfd
- 7 AIR GAP IS THE DISTANCE FROM SENSOR FACE TO TARGET
- 8 CATALOG LISTING, DATE CODE AND SERIAL NUMBER LOCATED IN THIS AREA
- 9 - RELIABILITY AND EMI PERFORMANCE IS BASED ON TS 060 234
- 10 - WITHOUT A OUTPUT CAPACITOR THERE IS A RIPPLE ON THE OUTPUT SIGNAL WITH A HIGH TO LOW TRANSITION WHICH CAN PRODUCE A FALSE TRIGGER WITH SOME APPLICATIONS, IT IS REQUIRED THAT A CAPACITOR BE ADDED TO THE OUTPUT LINE TO REDUCE THE IMPACT OF THIS RIPPLE
- 11 - FOR VALUE ADDED ASSEMBLY CONSIDERATIONS REFERENCE APPLICATION NOTE PK-80139



BLOCK DIAGRAM SHOWING CURRENT SINKING OUTPUT



THIS DRAWING COVERS A PROPRIETARY ITEM AND IS THE PROPERTY OF MICRO SWITCH, A DIVISION OF HONEYWELL. THIS DRAWING IS NOT TO BE COPIED OR USED WITHOUT THE APPROVAL OF MICRO SWITCH.

MICRO SWITCH a Honeywell Division CATALOG LISTING 1GP4004

THIRD ANGLE PROJECTION
SCALE 3:1
DO NOT SCALE PRINT
UNLESS OTHERWISE SPECIFIED TOLERANCES ARE
NO PLACE (0) ± 1 MM
ONE PLACE (0,0) ± 0,4 MM
TWO PLACE (0,00) ± 0,15 MM
ANGLES ±
WEIGHT

1GP4004
 DRAWING NUMBER
 5
 ISSUE
 PTC/CAD 30
 DRAWN
 J A F 15 JUN 99
 CHECK
 J A F 15 JUN 99
 RELEASE NO. PR-23436
 REPLACES -
 CHECK
 12 MAY 04
 CHECK
 12 MAY 04
 CHECK
 12 MAY 04
 REVISIONS
 A PR-REL PR-23436
 J A F 15 JUN 99
 B CO 95587
 J A F 15 JUN 99
 C RIT 2 FEB 00
 J A F 15 JUN 99
 D 200453
 J A F 15 JUN 99
 AS 0005266
 J A F 15 JUN 99
 CHECK
 12 MAY 04