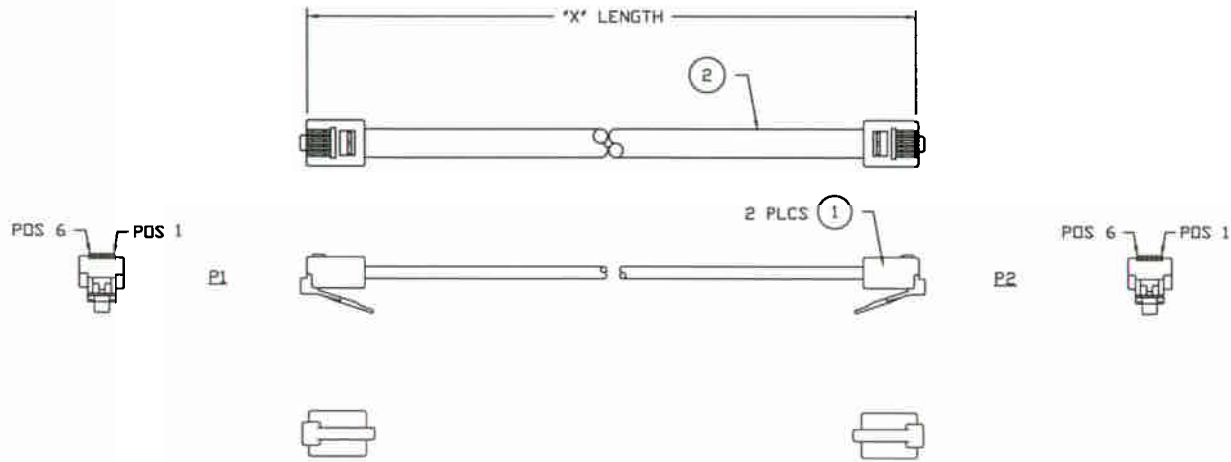


THESE DRAWINGS AND SPECIFICATIONS ARE THE SOLE PROPERTY OF I/O INTERCONNECT INC. U.S.A. AND SHALL NOT BE REPRODUCED, COPIED, OR USED IN ANY MANNER WITHOUT THE PRIOR WRITTEN CONSENT OF I/O INTERCONNECT INC. OR ITS AFFILIATED SUBSIDIARIES.

DWG. NO.	ZONE	REV.	DESCRIPTION	DATE	APPROVED
XX6-510-D		C	ECN C285	08/07/01	K.C.
		D	ADD NOTE & CHANGE P/N TO ROHS COMPLIANT PER ECN D830	04/21/05	M.G.



**WIRE DIAGRAM**

P1		P2
1	WHITE	6
2	BLACK	5
3	RED	4
4	GREEN	3
5	YELLOW	2
6	BLUE	1

**NOTES: UNLESS OTHERWISE SPECIFIED.**

- CABLE TO BE BUNDLED AND TWIST TIED.
- TEST CABLE FOR ALL OPENS & SHORTS.
- PACKAGE CABLE ASSEMBLY INDIVIDUALLY IN PLASTIC BAG. PACKAGE INDIVIDUAL BAG PER LOT NUMBER QUANTITIES.
- MARK OUTSIDE OF SHIPPING WITH CUSTOMER PART NUMBER.
- PLACE BAR CODE LABEL ON THE OUTSIDE OF EACH SHIPPING BOX LABEL DETAIL SEE DWG 090-990-001.
- ALL METRICAL SHOULD BE ROHS COMPLIANT.

ITEM	QTY	MFG.	IDI PART NO.	DESCRIPTION
2	*X*	IDI	GLF=120-610-000	MODULAR CABLE, 26 AWG (7/34) BARE COPPER, 6 CONDUCTOR, UNSHIELDED, SILVER SATIN PVC. ROHS COMPLIANT.
1	2 PCS	IDI	GLF-325-661-50X	CONNECTOR, MODULAR PLUG, 6 POSITION, 6 CONDUCTOR, 50u" Au, FLAT TYPE EXIT. ROHS COMPLIANT.

**CABLE ASSEMBLY PARTS LIST**

H1663-25-ND	GLF-466-256-510-D	25.0 FT ± 4.0 IN 7.62 M ± 101.6 MM
H1663-14-ND	GLF-466-146-510-D	14.0 FT ± 3.0 IN 4.27 M ± 76.2 MM
H1663-07-ND	GLF-466-076-510-D	7.0 FT ± 2.0 IN 2.13 M ± 50.8 MM
PART NUMBER DIGI-KEY	PART NUMBER I/O INTERCONNECT	LENGTH *X*
<b>THIRD ANGLE PROJECTION</b> 		<b>I/O INTERCONNECT</b> SANTA ANA, CALIFORNIA
UNLESS OTHERWISE NOTED: 1) DIMENSIONS ARE IN INCHES (MILLIMETER) 2) TOLERANCES: .XXX ± 0.25 (6.35)		TITLE: 6P6C MODULAR, STANDARD STYLE, SILVER SATIN, CABLE ASSEMBLY P/N: H1663-XX-ND
DR. BY JERRY BAI	DATE 04/21/05	PART NO: GLF-466-XX6-510-D
CHKD BY		DWG NO: GLF-466-XX6-510-D
DATE/SCALE		CUSTOMER DIGI-KEY
SA		REV. D
SCALE: NONE	SHEET 1	OF 1