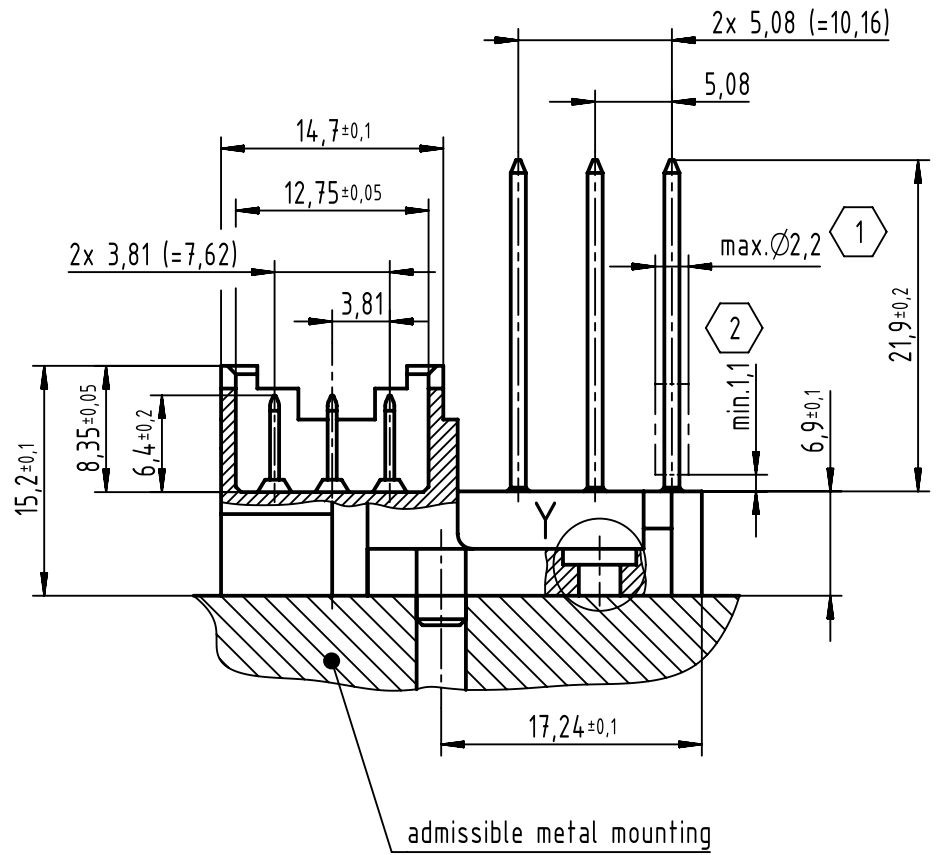
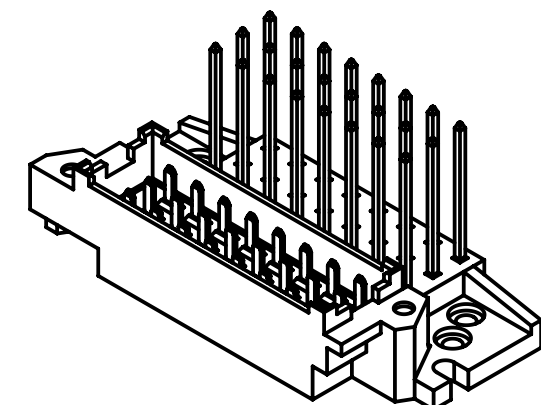
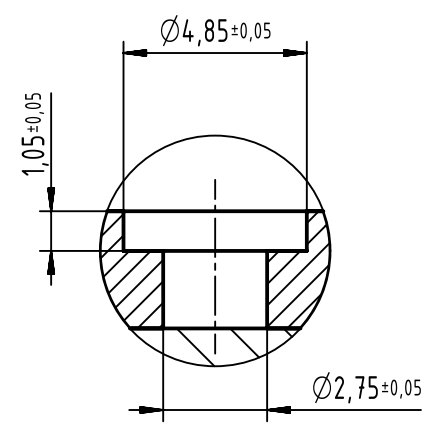


B (2:1)



Y (5:1)



- ② up until start of the standard wrap
- ① standard wrap DIN EN 60352-1

	All rights reserved Department EC PD - DE HARTING Electronics GmbH D-32339 Espelkamp	All Dimensions in mm Original Size DIN A3	Scale 1:1	Free size tol. complementary IEC 60603-2	Ref. Sub. TB 09 26 024 2981 / 33367 / 13.03.2006
		Created by STORCK	Inspected by LEHNERT	Standardisation KOHLER	Date 2015-05-06
		Title DIN Power type 2F interface connector U			Doc-Key / ECM-Nr. 100083845/UGD/004/B 50000088551
		Type TB	Number 09260242981		Rev. B
					Page 1/1