



Model: EIRP-Extend-x
Industrial 2 & 4 port 10/100BaseTX
PoE Ethernet Extender



Features

- ✓ IEEE802.3at 30W PoE/PSE power for last mile applications
- ✓ Complies with UL508 and NEMA TS1 & TS2 Environmental requirements for Traffic control equipment
- ✓ Complies with IEC61000-6-2 EMC Generic standard immunity for Heavy Industrial environment
- ✓ Redundant 24 or 48 VDC Power Inputs
- ✓ Wide Operating Temperature
- ✓ Extend Ethernet up to 6232 ft (1.9 km) over standard copper wires
- ✓ Ethernet Port: PoE Plus (25W) RJ-45 10/100Mbps Full/Half-duplex, Auto-negotiate/Auto-MDI/MDX
- ✓ Ethernet Extender Port: 1 RJ-11 50Mbps Full Duplex VDSL
- ✓ Extender port compatible with EIS-Extend, EIR-Extend-x, EIRM-Extend-x

Functional Description

Extending Ethernet to reach IP cameras, IP phones, and Ethernet connected control devices is simple and reliable with B&B Electronics' Ethernet Extenders. The EIRP series extenders offer built-in PoE+ technology which allows the end device, such as an IP camera, to be powered directly from the extended Ethernet port. Used with a 2nd extender the configuration is easy. Configure one unit as the local device, and the other one as the remote device. External power supplies are required (not included).

Ordering Information

Model Number	Description
EIRP-Extend-2	2-port 10/100BASE-TX IEEE802.3at PoE/PSE Ethernet Extender
EIRP-Extend-4	4-port 10/100BASE-TX with 2-port IEEE802.3at PoE/PSE Ethernet Extender
Accessories	
DR19RMKT	Adjustable DIN Rail 19 Inch Rack Mount Kit
MDR-100-24	DIN Rail Mount Power Supply, 24 VDC, 96W
MDR-100-48	DIN Rail Mount Power Supply, 48 VDC, 96W



International Headquarters: 707 Dayton Road PO Box 1040 Ottawa, IL 61350 USA
815-433-5100 Fax 433-5104 www.bb-elec.com orders@bb-elec.com support@bb-elec.com

European Headquarters: Westlink Commercial Park Oranmore Co. Galway Ireland
+353 91 792444 Fax +353 91 792445 www.bb-europe.com orders@bb-europe.com support@bb-europe.com

Specifications

Technology

Standards:	802.3 10BaseT 802.3u 100BaseTx 802.3x Ethernet over VDSL
Protocol	Transparent to higher level
Processing	Protocols Half-duplex: backpressure Full-duplex: 802.3x

Ethernet Interface

Ports	2 or 4 port 10/100BaseTX, 2 with PoE Plus RJ-45, 10/100BaseTX, Full/Half Duplex Auto-Negotiation Auto-MDI/MDX
PoE	Complies with IEEE802.3af / 802.3at standard
Speed	10/100 Mbps
Distance	320 ft (100 m)
Cable	100Base-TX UTPCAT 5 (4 pair)

Power

Input Voltage	48 VDC – Power Jack 24 - 48 VDC Terminal Block
Power Consumption	69.12 W Max, 1.44A@48VDC, when 2 PoE link with PD Class 0 devices. Each PSE Port allows Max. 30W power consumption.

Extender Interface

Port	One RJ-11 or Terminal Block
Speed	Up to 50 Mbps
Distance	Up to 6,232 ft (1.9 km)

Cable 24 AWG Copper Pair (0.5mm diameter, 1 pair wire) or larger
 *see LED Chart for distance/speed combinations

Mechanical

Case	DIN Mount IP30 Aluminum
Dimensions	50mm (W) x 110mm (D) x 135mm (H) (1.97" (W) x 4.33" (D) x 5.31" (H))
Weight	1.76 lbs (0.8 kg)

Environment

Operating Temp	-40 to 75° C Tested to 85° C
Storage Temp	-40 to 85° C
Op Humidity	5% to 95% Non-condensing

LED Chart

	LED	Speed	Distance
1	Green	1 Mbps	6232 ft (1.9 km)
	Amber	3 Mbps	5904 ft (1.8 km)
2	Green	5 Mbps	5249 ft (1.6 km)
	Amber	10 Mbps	4593 ft (1.4 km)
3	Green	15 Mbps	3936 ft (1.2 km)
	Amber	20 Mbps	3280 ft (1.0 km)
4	Green	25 Mbps	2624 ft (0.8 km)
	Amber	30 Mbps	2296 ft (0.7 km)
5	Green	40 Mbps	1968 ft (0.6 km)
	Amber	50 Mbps	984 ft (0.3 km)

Regulatory Approvals



International Headquarters: 707 Dayton Road PO Box 1040 Ottawa, IL 61350 USA
 815-433-5100 Fax 433-5104 www.bb-elec.com orders@bb-elec.com support@bb-elec.com

European Headquarters: Westlink Commercial Park Oranmore Co. Galway Ireland
 +353 91 792444 Fax +353 91 792445 www.bb-europe.com orders@bb-europe.com support@bb-europe.com

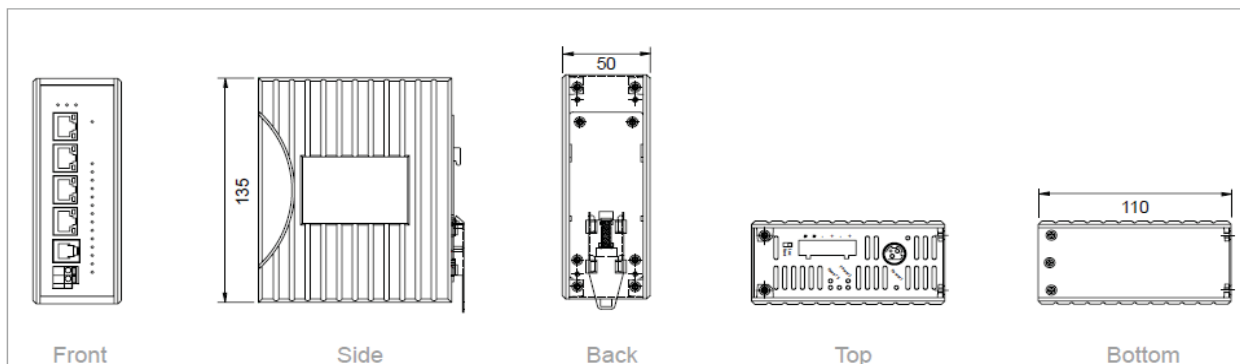
ISO	Manufactured in an ISO9001 facility
Safety	UL508
EMI	<ul style="list-style-type: none"> • FCC Part 15, Class A • EN61000-6-4 <ul style="list-style-type: none"> ▪ EN55022 ▪ EN61000-3-2 ▪ EN61000-3-3
EMS	EN61000-6-2 <ul style="list-style-type: none"> • EN61000-4-2 (ESD Standards) <ul style="list-style-type: none"> - Contact: + / - 4KV; Criteria B - Air: + / - 8KV; Criteria B • EN61000-4-3 (Radiated RFI Standards) <ul style="list-style-type: none"> - 10V/m, 80 to 1000MHz; 80% AM Criteria A • EN61000-4-4 (Burst Standards) <ul style="list-style-type: none"> - Signal Ports: + / - 4KV; Criteria B - D.C. Power Ports: + / - 4KV; Criteria B • EN61000-4-5 (Surge Standards) <ul style="list-style-type: none"> - Signal Ports: + / - 1KV; Line-to-Line; Criteria B - D.C. Power Ports: + / - 0.5KV; Line-to-earth; Criteria B • EN61000-4-6 (Induced RFI Standards) <ul style="list-style-type: none"> - Signal Ports: 10Vrms @ 0.15 - 80MHz; 80% AM Criteria A - D.C. Power Ports: 10Vrms @ 0.15 - 80MHz; 80% AM Criteria A • EN61000-4-8 (Magnetic Field Standards) <ul style="list-style-type: none"> - 30A/m @ 50, 60Hz; Criteria A
Environmental Test Compliance	<ul style="list-style-type: none"> • IEC60068-2-6 Fc (Vibration Resistance) <ul style="list-style-type: none"> ○ 5g @ 10 - 150Hz, Amplitude 0.35mm (Operation/Storage/Transport) • IEC60068-2-27 Ea (Shock) <ul style="list-style-type: none"> ○ 25g @ 11ms (Half-Sine Shock Pulse; Operation) ○ 50g @ 11ms (Half-Sine Shock Pulse; Storage/Transport) • IEC60068-2-32 Ed (Free Fall) <ul style="list-style-type: none"> ○ 1M (3.281ft.)

Installation

- Din Rail (35mm) Panel Mount, Rack Mounting with optional DR19RMKT kit.

Dimensions

Unit: mm



International Headquarters: 707 Dayton Road PO Box 1040 Ottawa, IL 61350 USA
 815-433-5100 Fax 433-5104 www.bb-elec.com orders@bb-elec.com support@bb-elec.com

European Headquarters: Westlink Commercial Park Oranmore Co. Galway Ireland
 +353 91 792444 Fax +353 91 792445 www.bb-europe.com orders@bb-europe.com support@bb-europe.com