

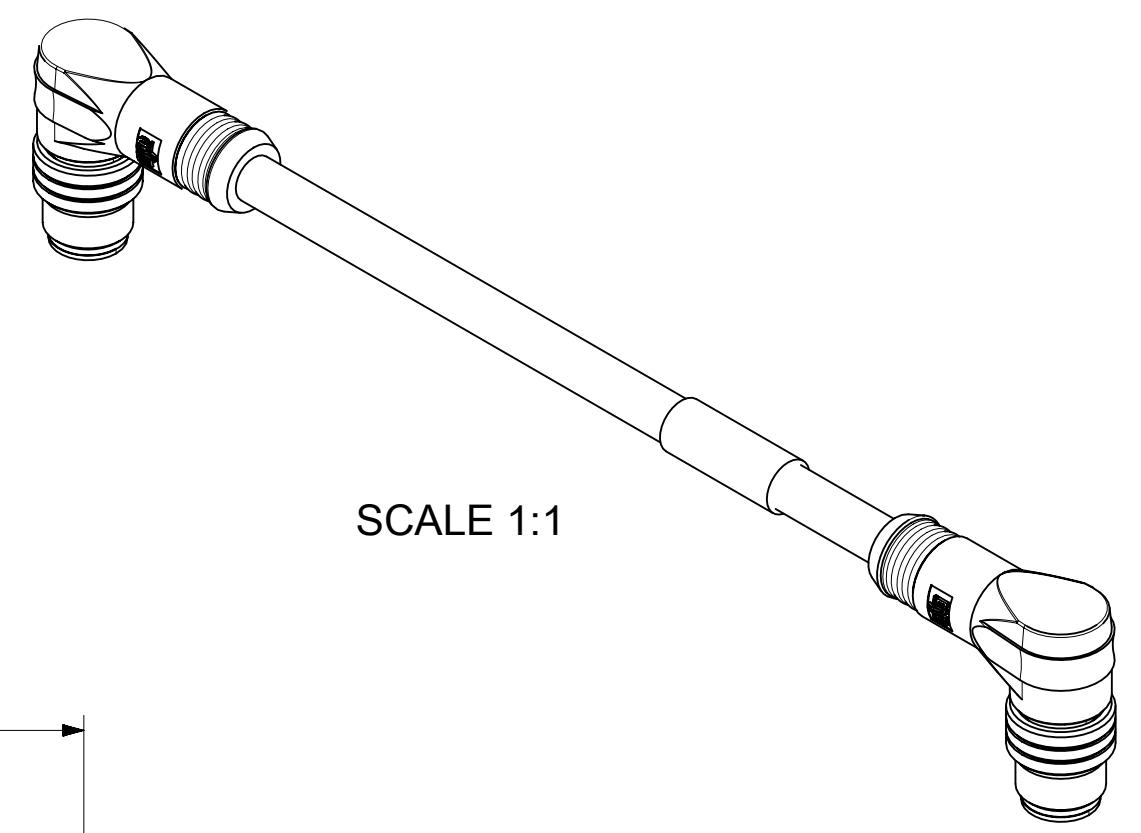
MATERIAL NO.	ENGINEERING NO.	FINISHED LENGTH
1201088005	E11A06302M010	3FT 3.4IN (1M)
1201080132	E11A06302M420	137FT 9.5IN (42M)
1201080014	E11A06302M900	295FT 3.3IN (90M)

PART NO. MATRIX
E11A06302M010

FINISHED LENGTH
M005= 0.5 METER
M010= 1 METER
M100= 10 METER

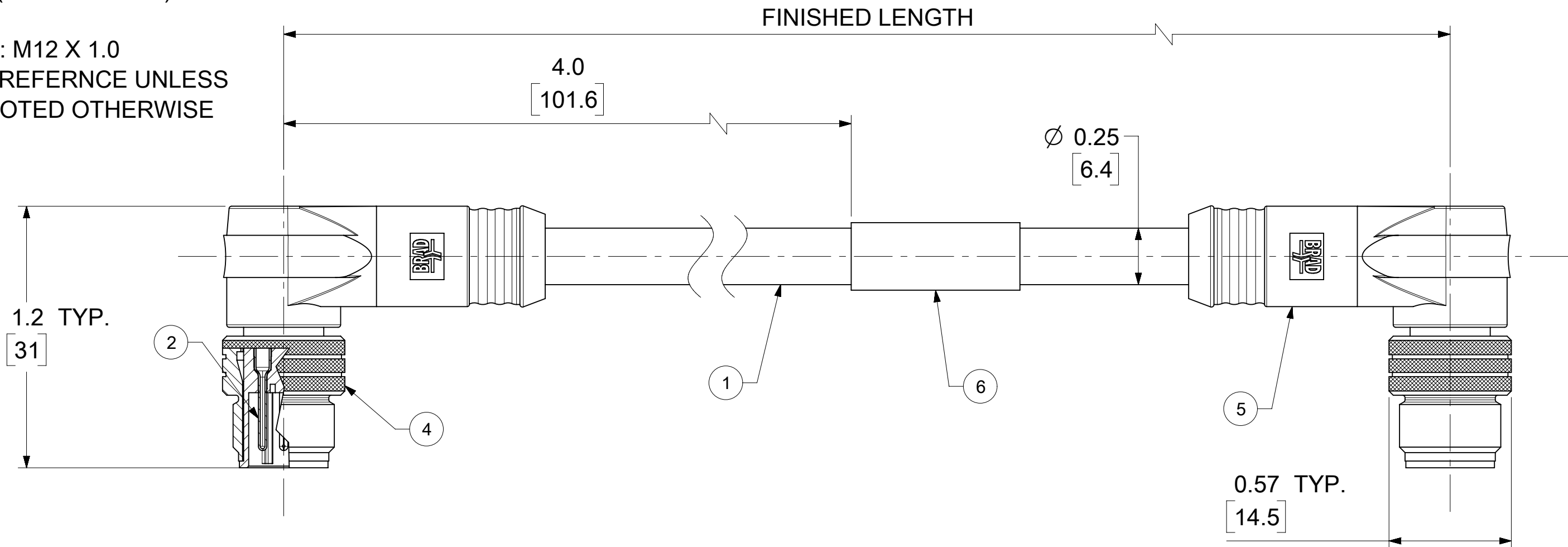
CABLE LENGTH TOLERANCES

<.3M [1FT]:	+19mm-0 [+.75in-0]
.3 - .9M [1 - 3FT]:	+44.5mm-0 [+1.75in-0]
.9 - 1.8M [3 - 6FT]:	+55.6mm-0 [+2.19in-0]
1.8 - 3.7M [6 - 12FT]:	+88.9mm-0 [+3.50in-0]
3.7 - 7.3M [12 - 24FT]:	+165.1mm-0 [+6.50in-0]
7.3-14.6M [24 - 48FT]:	+317.5mm-0 [+12.50in-0]
14.6 - 30.5M [48-100FT]:	+622.3mm-0 [+24.50in-0]
OVER 30M [100FT]	+2% OF FINISHED LENGTH



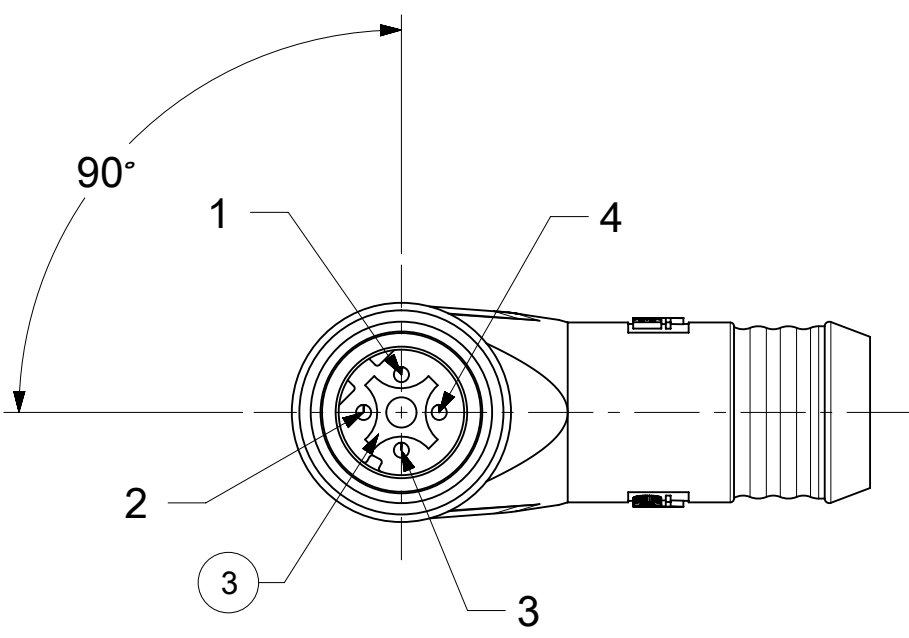
SCALE 1:1

- NOTES:
1. MATERIAL: AS NOTED
 2. FINISH: AS NOTED
 3. ELECTRICAL SPECIFICATIONS
VOLTAGE RATING: 125V
CURRENT RATING: 1.5A
 4. TEMP RANGE: -25°C TO +75°C
 5. PROTECTION: IP67 (WHEN MATED)
 6. UL FILE: E361772
 7. COUPLING THREAD: M12 X 1.0
 8. ALL DIMS ARE FOR REFERENCE UNLESS TOLERANCED OR NOTED OTHERWISE

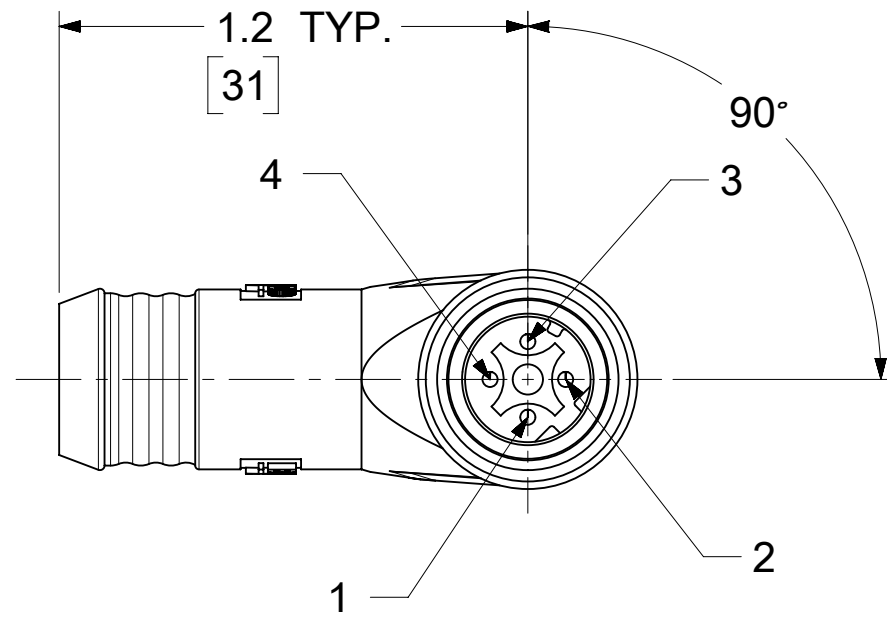


WIRING DIAGRAM

MALE		MALE
1	ORANGE	1
2	BLUE	2
3	ORANGE-WHITE	3
4	BLUE-WHITE	4



MALE FACE VIEW



MALE FACE VIEW

ITEM	DESCRIPTION	MATERIAL	FINISH
6	LABEL	VINYL	BLACK/WHITE
5	OVERMOLD	TPU	BLACK
4	COUPLING NUT M12 MALE	BRASS	NICKEL
3	INSERT D-CODE 4 POLE MALE	PUR	BLACK
2	CONTACT PIN	COPPER ALLOY	GOLD PLATED
1	CABLE, ETHERNET, 24-4	PVC JACKET	TEAL

FUNCTIONAL SYMBOLS FA=0 FC=0 FP=0	THIS DRAWING CONTAINS INFORMATION THAT IS PROPRIETARY TO MOLEX ELECTRONIC TECHNOLOGIES, LLC AND SHOULD NOT BE USED WITHOUT WRITTEN PERMISSION		CURRENT REV DESC: INITIAL RELEASE		
	DIMENSION UNITS	SCALE	EC NO: 648668		
	INCH/MM	2:1	DRWN: PDODDAMANEMY	2020/09/14	
	GENERAL TOLERANCES (UNLESS SPECIFIED)		CHK'D: RSTONE	2020/11/11	
DIVISIONAL SYMBOLS	4 PLACES	±	APPR: BWOODMAN	2020/11/18	
	3 PLACES	±	INITIAL REVISION:		
	2 PLACES	±	DRWN: NSTAUDIGEL	2010/02/08	
	1 PLACE	±	APPR: fpacher	2010/02/11	
DRAFT WHERE APPLICABLE MUST REMAIN WITHIN DIMENSIONS		THIRD ANGLE PROJECTION	DRAWING	SERIES	
			C-SIZE	120108	
DOCUMENT STATUS		RELEASE DATE	DOC TYPE	DOC PART	REVISION
P1		2020/11/18 23:03:26	PSD	001	A
MATERIAL NUMBER		CUSTOMER	SHEET NUMBER		
SEE TABLE		GENERAL MARKET	1 OF 1		



MICRO-CHANGE CORDSET, M12
4 POLE, MALE-MALE, 90 DEG, D-CODE, 24/4 AWG
CAT-5E

SD-120108-036