



On when  
it counts.



### Application

- Main power indication
- Remote power indication
- Status indication
- Maintenance and warning indication
- Instrumentation

...and many more!

### Certifications & Ratings

- RoHS compliant

### Features & Benefits

- Low power consumption - uses up to 90% less energy than an incandescent indicator
- No heat generated
- Long life, lasting up to 100K hours
- Colors include red, green, orange, blue, and white
- Front panel mounting
- LED can be recessed or protrude from housing

### Mechanical Information:

<b>Mounting hole size:</b>	0.244" (6.2mm)
<b>Max panel thickness:</b>	0.138" (3.5mm)
<b>Mounting torque:</b>	0.362 lbs/ft (5 kg/cm)

### Electrical Specifications:

<b>Operating voltage:</b>	2 (red, orange) & 3.3 (green, blue) VDC (current limiting resistor required on both voltages)
<b>Operating temperature:</b>	-22°F to +185°F (-30°C to +85°C)
<b>Storage temperature:</b>	-40°F to +212°F (-40°C to +100°C)
<b>Electrical connection:</b>	Through leads

### Construction:

<b>Housing:</b>	Chrome plated brass
-----------------	---------------------

All values typical unless otherwise stated



## Panel Mount Indicator Dimensions

Figure 1

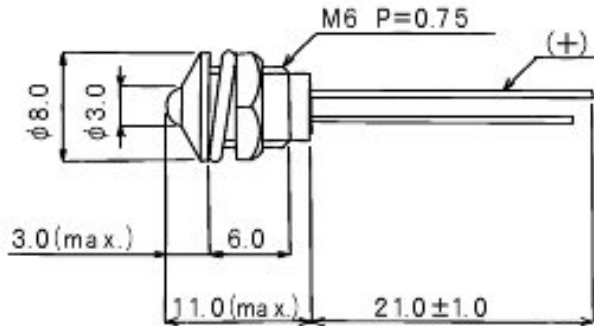
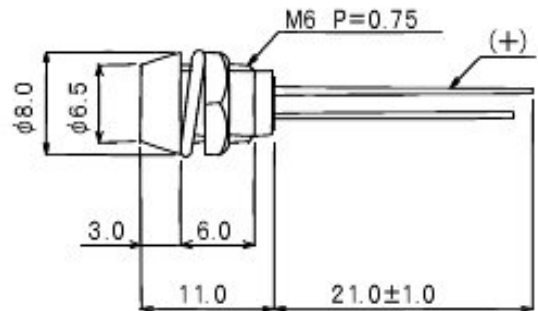


Figure 2



Dimensions are in mm

Part Number	Color	Voltage (VDC)	Current (mA)	Typical Intensity (mcd)	LED Position	Figure
676-1111-110F	Red	2	20	7720	Protruding	1
676-1211-110F	Green	3.3	20	10100	Protruding	1
676-1311-110F	Orange	2	20	7810	Protruding	1
676-1411-110F	Blue	3.3	20	2980	Protruding	1
676-1511-110F	White	3.3	20	6150	Protruding	1
676-2111-110F	Red	2	20	5650	Recessed	2
676-2211-110F	Green	3.3	20	11520	Recessed	2
676-2311-110F	Orange	2	20	7810	Recessed	2
676-2411-110F	Blue	3.3	20	3810	Recessed	2
676-2511-110F	White	3.3	20	6220	Recessed	2

Dialight reserves the right to make changes at any time in order to supply the best product possible. The most current version of this document will always be available at: [www.dialight.com/Assets/Brochures\\_And\\_Catalogs/Illumination/MDEL676CR.pdf](http://www.dialight.com/Assets/Brochures_And_Catalogs/Illumination/MDEL676CR.pdf)

Warranty Statement: EXCEPT FOR THE WARRANTY EXPRESSLY PROVIDED FOR [HEREIN/ABOVE/BELOW], DIALIGHT DISCLAIMS ANY AND ALL OTHER WARRANTIES, EXPRESS OR IMPLIED, INCLUDING, WITHOUT LIMITATION, ANY WARRANTIES OF MERCHANTABILITY, FITNESS FOR A PARTICULAR PURPOSE, TITLE, AND NONINFRINGEMENT.