



# Alternating Input Module

## VI-AIM™

Actual size:  
2.28 x 2.4 x 0.5in  
57,9 x 61,0 x 12,7mm



## Universal AC Input Front End Module

### Features & Benefits

- RoHS compliant (VE versions)
- Universal input: 85 – 264V<sub>AC</sub>
- Output power: 250W
- Operating temperature: 100°C
- Efficiency: 97%
- Integral EMI filtering
- Input transient protection
- Inrush limiting
- CE Marked

### Product Highlights

The AIM (Alternating Input Module) is an AC front-end module which interfaces directly with worldwide AC mains. The AIM provides line rectification, EMI/RFI filtering, transient protection and inrush limiting in a half brick package measuring 2.28" x 2.4" x 0.5".

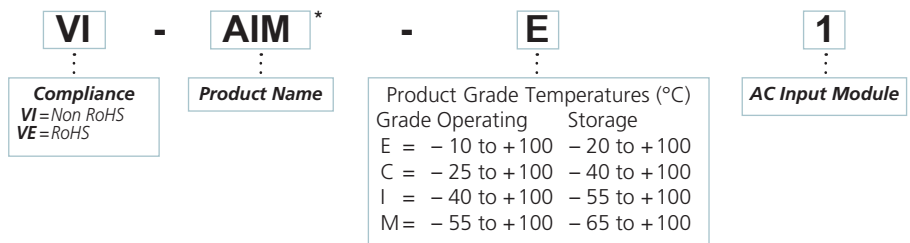
The AIM is used in conjunction with Vicor VI-200 or VI-J00 DC-DC converters to realize a universal AC input, high-density, low-profile switching power supply with outputs from 1 – 95V<sub>DC</sub> and a total power rating up to 200W. An external capacitor is used to satisfy system hold-up requirements. Internal EMI filtering meets EN55022 and FCC Part 15, Class A emissions limits.

### Absolute Maximum Ratings

Parameter	Rating	Unit	Notes
Maximum value of hold-up capacitance	1200	µF	
Thermal resistance	0.4	°C/Watt	Baseplate-to-sink
Operating temperature	-55 to +100	°C	M-Grade
Storage temperature	-65 to 100	°C	M-Grade
Transient surge withstand			
Common mode	1.2/50µs, 2kV pulse, 2 joules 0 to 360 degree phase angle		EN61000-4-5 IEC 801-5
Normal mode	1.2/50µs, 1kV pulse, 2 joules 0 to 360 degree phase angle		With external MOV

VI-AIM Input Voltage	Compatible DC-DC Converter	Notes
85 – 132 Vac	VI-x5x-xx	Used with a 100 – 200V <sub>IN</sub> converter
180 – 264 Vac	VI-x6x-xx	Used with a 200 – 400V <sub>IN</sub> converter
85 – 264 Vac	VI-x7x-xx	Used with a 100 – 375V <sub>IN</sub> converter

### Part Numbering



\* For Mega Module packaging option add an L before the product name.  
Example: Vx-LAIM-xx

## Specifications

(typical at  $T_{BP} = 25^{\circ}\text{C}$ , nominal line and 75% load, unless otherwise specified)

### INPUT SPECIFICATIONS

Parameter	Min	Typ	Max	Unit	Notes
AC line input		85 – 264 <sup>[1]</sup>		$V_{AC}$	No strapping; no damage below low line
			47 – 440	Hz	
Inrush current		<40A at peak line ( $264V_{RMS}$ )			

<sup>[1]</sup> Dependent upon input range of compatible DC-DC converter.

### OUTPUT SPECIFICATIONS

Parameter	Min	Typ	Max	Unit	Notes
Output voltage		120 – 373		$V_{DC}$	Peak of AC line
Output power		250		W	Delivered to converter(s)
Hold-up time		Application specific			A function of external capacitance and power
Efficiency		97%		%	

### SAFETY SPECIFICATIONS

Parameter	Min	Typ	Max	Unit	Notes
Dielectric withstand					Provided by DC-DC converter
	Input to output		None		
Input/output to baseplate		1,500		$V_{RMS}$	

### AGENCY APPROVALS

Safety Standards	Agency Markings	Notes
Conducted EMI/RFI	VDE 0871/FCC Part 15, Class A EN55022, Class A	With compatible DC-DC converter modules External 0.47 $\mu\text{F}$ capacitor required
UL1950, CSA 22.2-950, EN60950		

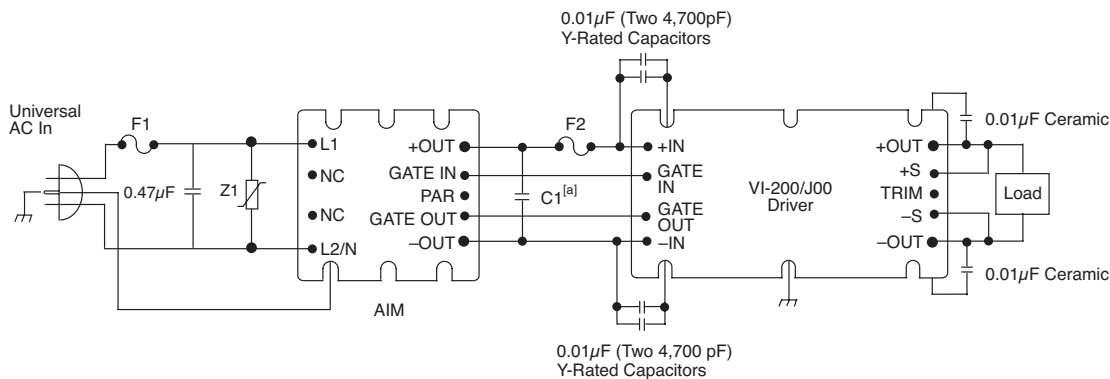
### GENERAL SPECIFICATIONS

Parameter	Min	Typ	Max	Unit	Notes
Size	2.28" x 2.4" x 0.5" (57,9 x 61,0 x 12,7)			in (mm)	Mega Module, SlimMod and FinMod packages available
Weight		3.0 (85)		Ounces (Grams)	

## Storage

Vicor products, when not installed in customer units, should be stored in ESD safe packaging in accordance with ANSI/ESD S20.20, "Protection of Electrical and Electronic Parts, Assemblies and Equipment" and should be maintained in a temperature controlled factory/warehouse environment not exposed to outside elements controlled between the temperature ranges of 15°C and 38°C. Humidity shall not be condensing, no minimum humidity when stored in an ESD compliant package.

## VI-AIM Connection Diagram, Typical Application



<sup>[a]</sup> Consult factory or refer to Selecting Capacitors for AIM Modules on page 34 of the VI-200 and VI-J00 Design Guide .

Z1: MOV Part #30076

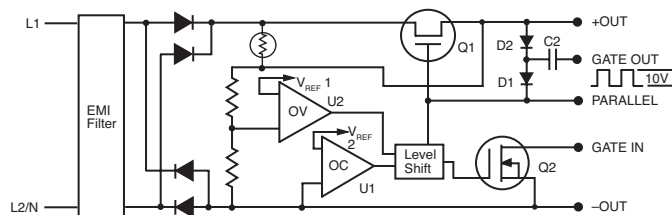
Fuse 1: 6.3A/250V (IEC 5X20mm) Buss GDB-6.3 or 7A / 250V (3AG 1/4" x 1 1/4") Littlefuse 314-007

Fuse 2: For VI-X7X-XX — Buss PC-Tron 2.5A (250V)

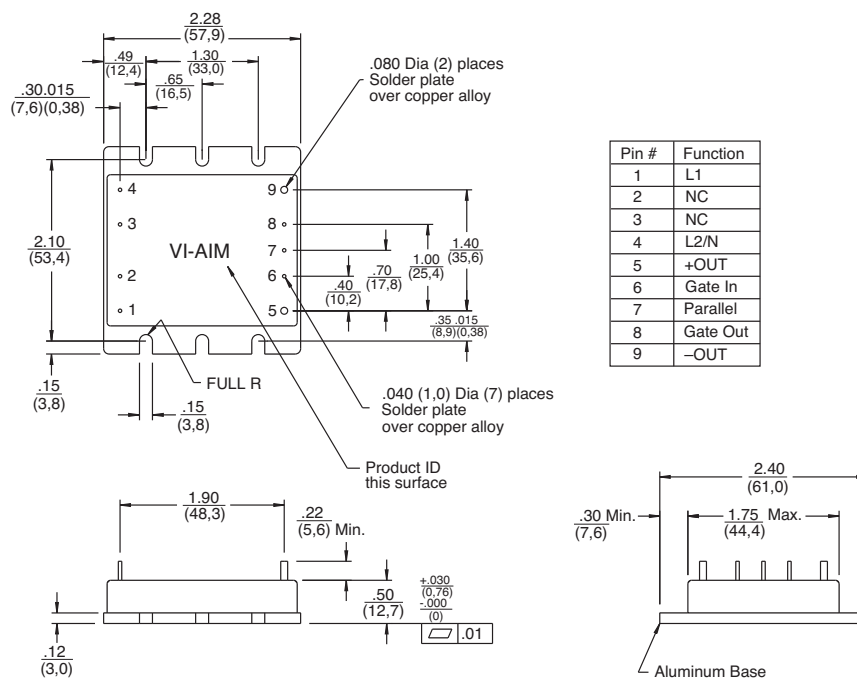
For VI-X6X-XX — Buss PC-Tron 3A (250V)

For VI-X5X-XX — Buss PC-Tron 5A

## VI-AIM Block Diagram



## Mechanical Diagram



---

**Vicor's comprehensive line of power solutions includes high density AC-DC and DC-DC modules and accessory components, fully configurable AC-DC and DC-DC power supplies, and complete custom power systems.**

Information furnished by Vicor is believed to be accurate and reliable. However, no responsibility is assumed by Vicor for its use. Vicor makes no representations or warranties with respect to the accuracy or completeness of the contents of this publication. Vicor reserves the right to make changes to any products, specifications, and product descriptions at any time without notice. Information published by Vicor has been checked and is believed to be accurate at the time it was printed; however, Vicor assumes no responsibility for inaccuracies. Testing and other quality controls are used to the extent Vicor deems necessary to support Vicor's product warranty. Except where mandated by government requirements, testing of all parameters of each product is not necessarily performed.

**Specifications are subject to change without notice.**

Visit <http://www.vicorpower.com/ac-input-front-end-module> for the latest product information.

### **Vicor's Standard Terms and Conditions and Product Warranty**

All sales are subject to Vicor's Standard Terms and Conditions of Sale, and Product Warranty which are available on Vicor's webpage (<http://www.vicorpower.com/termsconditionswarranty>) or upon request.

### **Life Support Policy**

VICOR'S PRODUCTS ARE NOT AUTHORIZED FOR USE AS CRITICAL COMPONENTS IN LIFE SUPPORT DEVICES OR SYSTEMS WITHOUT THE EXPRESS PRIOR WRITTEN APPROVAL OF THE CHIEF EXECUTIVE OFFICER AND GENERAL COUNSEL OF VICOR CORPORATION. As used herein, life support devices or systems are devices which (a) are intended for surgical implant into the body, or (b) support or sustain life and whose failure to perform when properly used in accordance with instructions for use provided in the labeling can be reasonably expected to result in a significant injury to the user. A critical component is any component in a life support device or system whose failure to perform can be reasonably expected to cause the failure of the life support device or system or to affect its safety or effectiveness. Per Vicor Terms and Conditions of Sale, the user of Vicor products and components in life support applications assumes all risks of such use and indemnifies Vicor against all liability and damages.

### **Intellectual Property Notice**

Vicor and its subsidiaries own Intellectual Property (including issued U.S. and Foreign Patents and pending patent applications) relating to the products described in this data sheet. No license, whether express, implied, or arising by estoppel or otherwise, to any intellectual property rights is granted by this document. Interested parties should contact Vicor's Intellectual Property Department.

**Vicor Corporation**

25 Frontage Road  
Andover, MA, USA 01810  
Tel: 800-735-6200  
Fax: 978-475-6715

**email**

Customer Service: [custserv@vicorpower.com](mailto:custserv@vicorpower.com)  
Technical Support: [apps@vicorpower.com](mailto:apps@vicorpower.com)