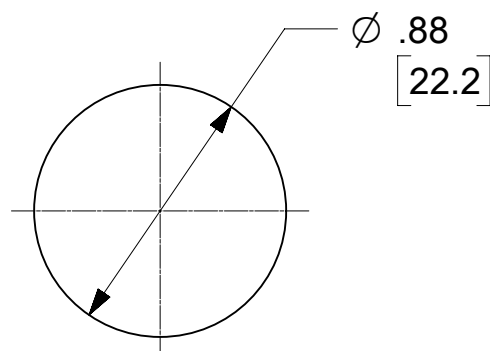
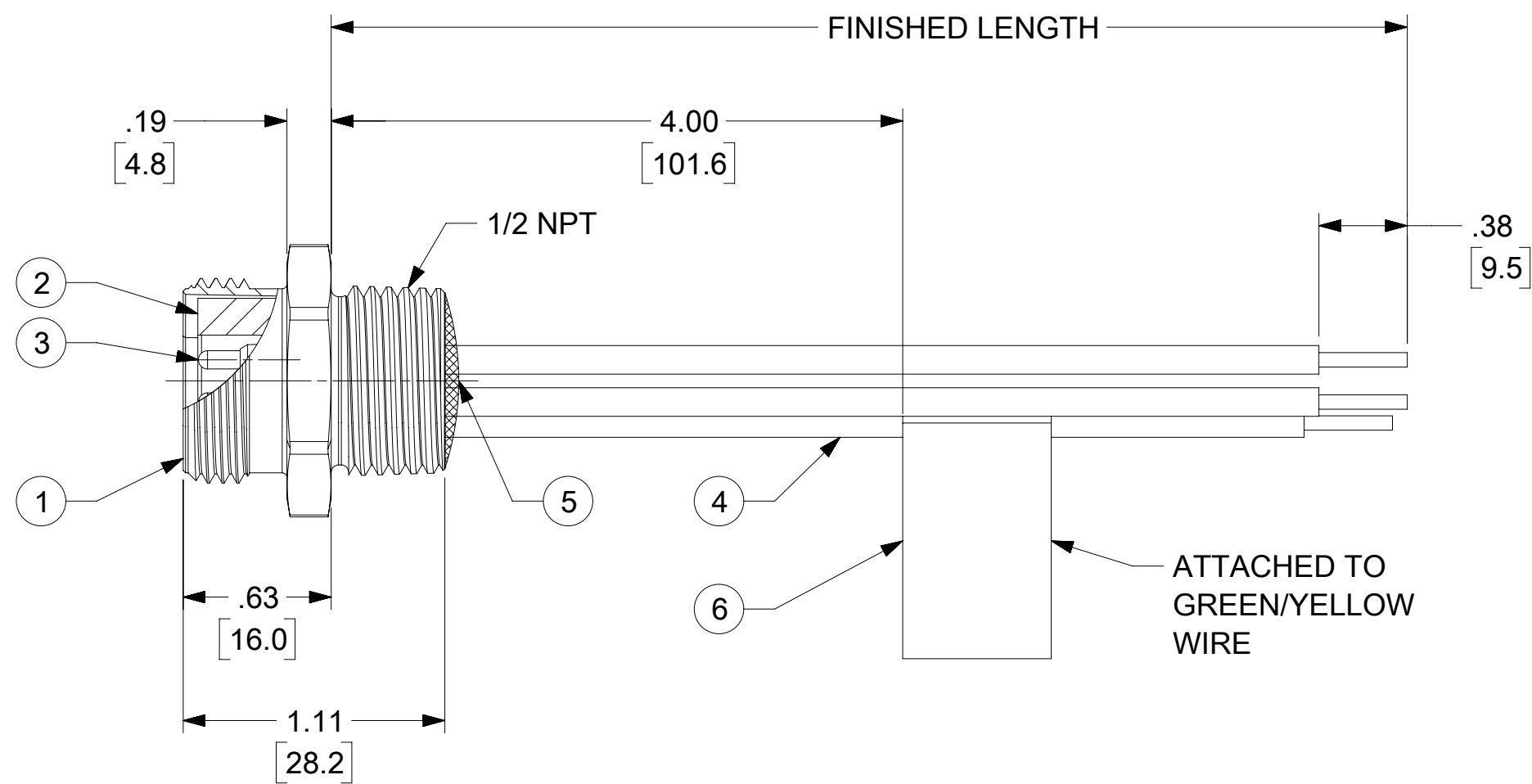
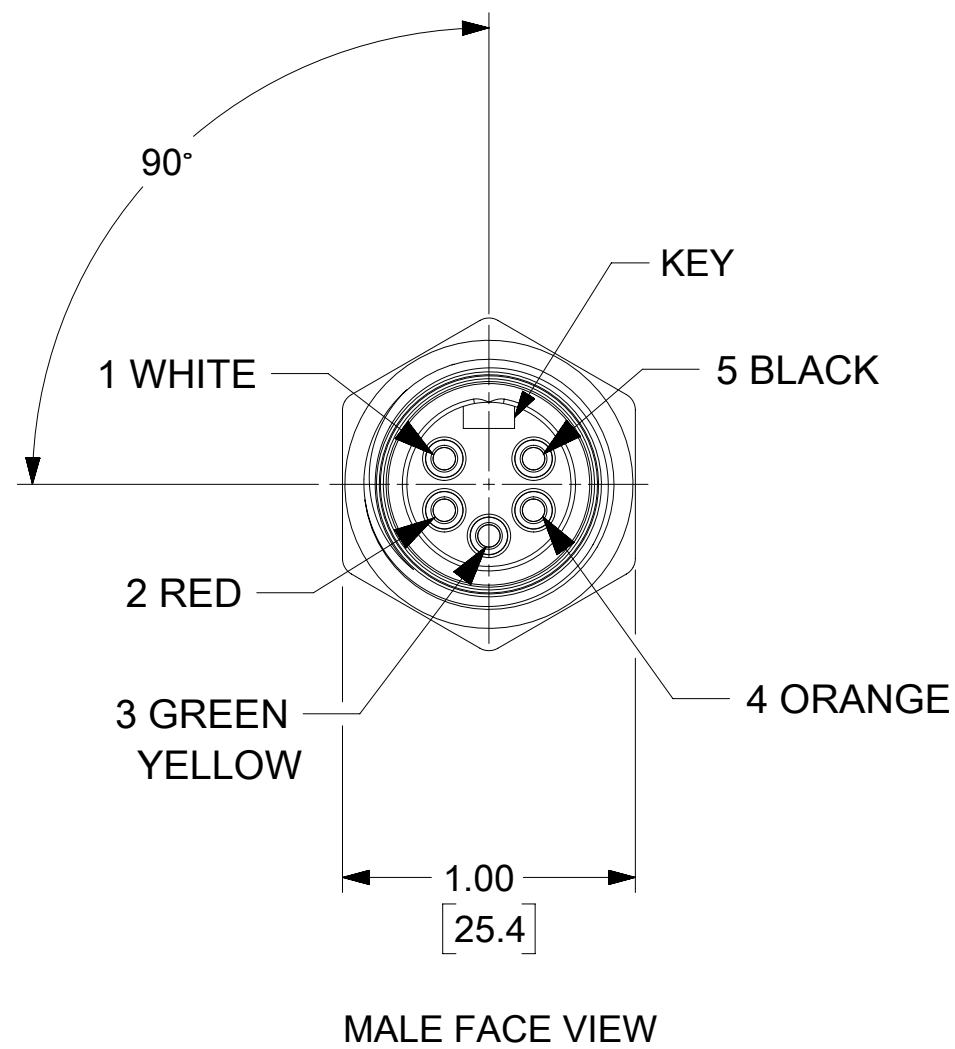
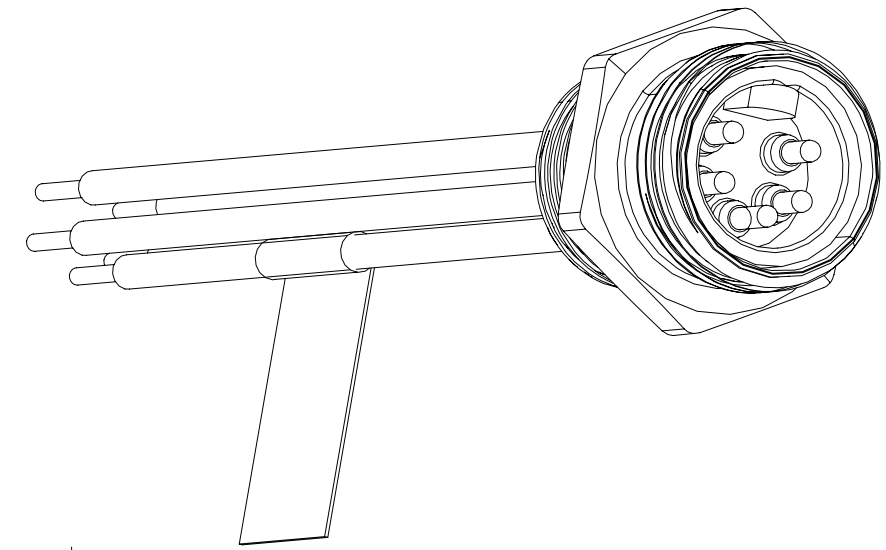


| PART NO. | ENGINEERING NO. | FINISHED LENGTH |
|------------|-----------------|------------------|
| 1300130493 | 1R5006A20A120 | 12 IN (0.30M) |
| 1300130500 | 1R5006A20F030 | 3 FT (0.90M) |
| 1300131166 | 1R5006A20M030 | 3M (9 FT, 10 IN) |

CABLE LENGTH TOLERANCES
 <.3M [1FT]: +19mm-0 [+.75in-0]
 .3 - .9M [1 - 3FT]: +44.5mm-0 [+1.75in-0]
 .9 - 1.8M [3 - 6FT]: +55.6mm-0 [+2.19in-0]
 1.8 - 3.7M [6 - 12FT]: +88.9mm-0 [+3.50in-0]
 3.7 - 7.3M [12 - 24FT]: +165.1mm-0 [+6.50in-0]
 7.3-14.6M [24 - 48FT]: +317.5mm-0 [+12.50in-0]
 14.6 - 30.5M [48-100FT]: +622.3mm-0 [+24.50in-0]
 OVER 30M [100FT] +2% OF FINISHED LENGTH



- NOTES:
1. MATERIAL: AS NOTED
 2. FINISH: AS NOTED
 3. ELECTRICAL:
 VOLTAGE: 400V PER IEC60664
 600V PER UL2238
 CURRENT: 8A
 4. TEMP RATING: -20°C TO +105°C
 5. PROTECTION: IP67 (WHEN MATED)
 6. COUPLING THREAD: 7/8-16 UN
 7. UL RECOGNIZED FILE: E152210
 CSA CERTIFIED: LR6837
 8. ALL DIMS ARE FOR REFERENCE UNLESS TOLERANCED OR NOTED OTHERWISE

PART NUMBER LEGEND

1R5006A20A120

LENGTH
 A060 = 6 IN
 A120 = 12 IN
 F060 = 6.0 FT
 M003 = 0.3 METERS
 M010 = 1.0 METERS
 M100 = 10.0 METERS

| ITEM | DESCRIPTION | MATERIAL | FINISH |
|------|--------------------|-----------------|---------------|
| 6 | FLAG LABEL | VINYL | BLACK/YELLOW |
| 5 | POTTING MATERIAL | EPOXY | |
| 4 | WIRE #16 (UL 1015) | PVC INSULATION | SEE FACE VIEW |
| 3 | CONTACT PIN | Cu ALLOY | GOLD PLATED |
| 2 | INSERT | TPE | YELLOW |
| 1 | RECEPTACLE SHELL | ZINC (DIE-CAST) | BLACK E-COAT |

| | | | | |
|--|---|------------------------|--|----------------|
| FUNCTIONAL SYMBOLS | THIS DRAWING CONTAINS INFORMATION THAT IS PROPRIETARY TO MOLEX ELECTRONIC TECHNOLOGIES, LLC AND SHOULD NOT BE USED WITHOUT WRITTEN PERMISSION | | | |
| | DIMENSION UNITS | SCALE | CURRENT REV DESC: REDRAWN TO NX FOR 5 POLE, REPLACES SD-130013-120 | |
| | INCH/MM | 1:1 | | |
| DIVISIONAL SYMBOLS | GENERAL TOLERANCES (UNLESS SPECIFIED) | | | |
| | 4 PLACES | ± | MM | INCH |
| | 3 PLACES | ± | | |
| | 2 PLACES | ± | | |
| | 1 PLACE | ± | | |
| ANGULAR TOL | | ± | ° | |
| DRAFT WHERE APPLICABLE MUST REMAIN WITHIN DIMENSIONS | | THIRD ANGLE PROJECTION | | DRAWING SERIES |
| | | | | C-SIZE 130013 |

| | | | |
|-------------------|--|------------|--|
| EC NO: 668276 | | 2021/06/24 | |
| DRWN: RSTONE | | 2021/07/08 | |
| CHK'D: MZIELINSKI | | 2021/07/12 | |
| APPR: BWOODMAN | | | |
| INITIAL REVISION: | | | |
| DRWN: RSTONE | | 2021/06/24 | |
| APPR: BWOODMAN | | 2021/07/12 | |

| | | | | |
|-----------------|----------------|--------------|----------|----------|
| DOCUMENT NUMBER | | DOC TYPE | DOC PART | REVISION |
| 1300130493 | | PSD | 000 | A |
| MATERIAL NUMBER | CUSTOMER | SHEET NUMBER | | |
| SEE P/N LEGEND | GENERAL MARKET | 1 OF 1 | | |