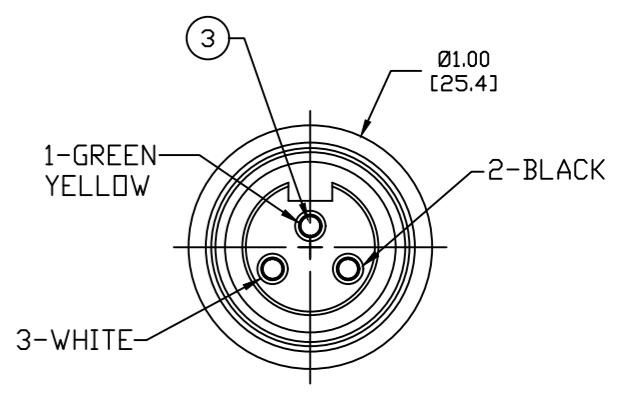
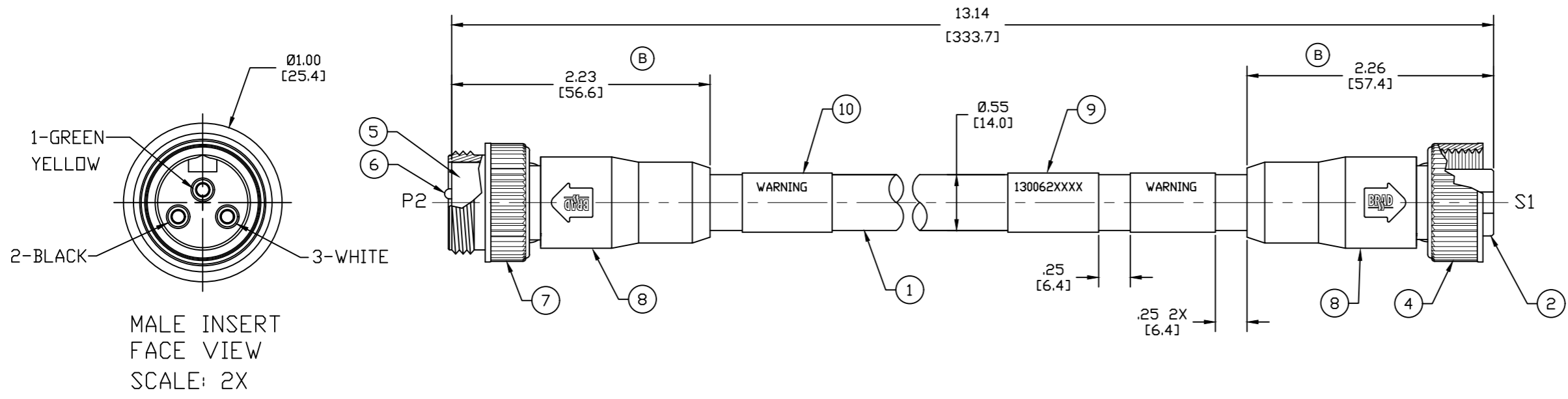


PART NO.	ENGINEERING NO.	FINISHED LENGTH
1300620044	113030A46M010	1.0M (3 FT 3IN)
1300620048	113030A46M030	3.0M (6 FT 7IN)
1300620054	113030A46M100	10.0M (32 FT 10IN)

(B) CABLE LENGTH TOLERANCES

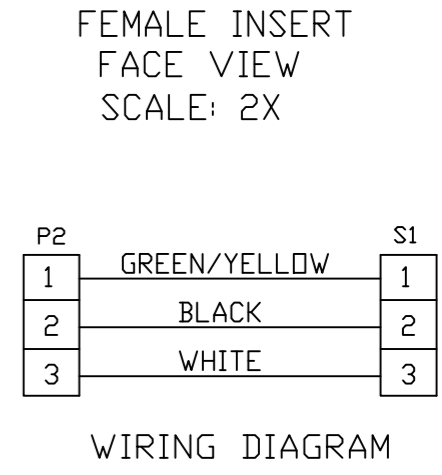
<.3M [1FT]:	+19mm-0 [+1.75in-0]
.3 - .9M [1 - 3FT]:	+44.5mm-0 [+1.75in-0]
.9 - 1.8M [3 - 6FT]:	+55.6mm-0 [+2.19in-0]
1.8 - 3.7M [6 - 12FT]:	+88.9mm-0 [+3.50in-0]
3.7 - 7.3M [12 - 24FT]:	+165.1mm-0 [+6.50in-0]
7.3-14.6M [24 - 48FT]:	+317.5mm-0 [+12.50in-0]
14.6 - 30.5M [48-100FT]:	+622.3mm-0 [+24.50in-0]
OVER 30M [100FT]	+2% OF FINISHED LENGTH



- (B) NOTES:
1. MATERIAL: AS NOTED
 2. FINISH: AS NOTED
 3. ELECTRICAL:
VOLTAGE: 4P: 483V PER IEC60664
600V PER UL2237
CURRENT: 15A
 4. TEMP RATING: -20°TO +90°C
 5. PROTECTION: IP67 (WHEN MATED)
 6. COUPLING THREAD: 7/8-16UN
 7. UL LISTED FILE: E258922
 8. ALL DIMS ARE FOR REFERENCE UNLESS TOLERANCED OR NOTED OTHERWISE

PART NO. LEGEND
113030A46M020

FINISHED LENGTH:
M005= 0.5 METER
M010= 1 METER
M100= 10 METER



PRE-RELEASE
REFERENCE
USE ONLY

ITEM	DESCRIPTION	MATERIAL	FINISH
10	WARNING LABEL	VINYL	ORANGE/BLACK
9	WRAP LABEL	VINYL	BLACK/YELLOW
8	OVERMOLDS	TPE	GRAY
7	COUPLING, MALE	ZINC DIE-CAST	BLACK E-COAT
6	CONTACT PIN	COPPER ALLOY	GOLD PLATED
5	MALE INSERT (A-SIZE)	TPE	BLACK
4	COUPLING, FEMALE	ZINC DIE-CAST	BLACK E-COAT
3	CONTACT SOCKET	COPPER ALLOY	GOLD PLATED
2	FEMALE INSERT (A-SIZE)	TPE	BLACK
1	CABLE, 14/4, 90°C, 600V	PVC JACKET	GRAY
ITEM	DESCRIPTION	MATERIAL	FINISH

FUNCTIONAL SYMBOLS		THIS DRAWING CONTAINS INFORMATION THAT IS PROPRIETARY TO MOLEX ELECTRONIC TECHNOLOGIES, LLC AND SHOULD NOT BE USED WITHOUT WRITTEN PERMISSION			
DIMENSION UNITS		SCALE			
INCH/MM		1:1		CURRENT REV DESC: UPDATE PER LATEST DOC STD. BORDER, NOTES ECT, ADD CABLE LENGTH TOLS CORRECT O-MOLD STYLE TO 14AWG	
GENERAL TOLERANCES (UNLESS SPECIFIED)		EC NO: ----		MINI-CHANGE ASSEMBLY	
4 PLACES ±----		DRWN: RSTONE 2020/10/28		3 POLE M/MFE #14/3 GRAY PVC	
3 PLACES ±----		CHK'D: MZIELINSKI 2020/10/29		PRODUCT CUSTOMER DRAWING	
2 PLACES ±----		APPR: ----		DOCUMENT NUMBER	
1 PLACE ±----		INITIAL REVISION:		SD-130062-015	
0 PLACES ±----		DRWN: EBRACKEN 2013/06/20		PSD 001 B	
ANGULAR TOL ± 0.5°		APPR: BWOODMAN 2013/08/14		DOC TYPE/DOC PART/REVISION	
DRAFT WHERE APPLICABLE MUST REMAIN WITHIN DIMENSIONS		THIRD ANGLE PROJECTION		MATERIAL NUMBER	
		DRAWING		CUSTOMER	
		SERIES		SHEET NUMBER	
		B-SIZE 130062		SEE P/N CHART GENERAL MARKET 1 OF 1	