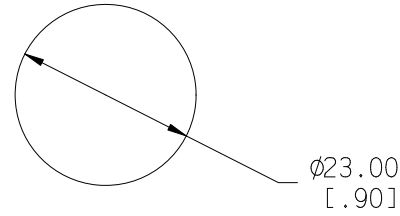
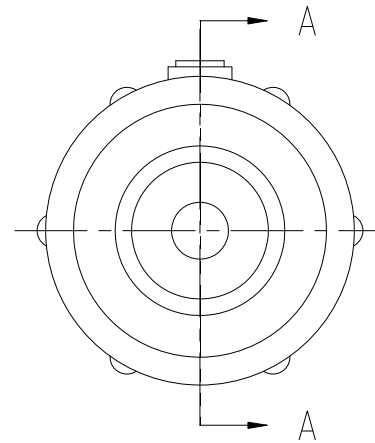
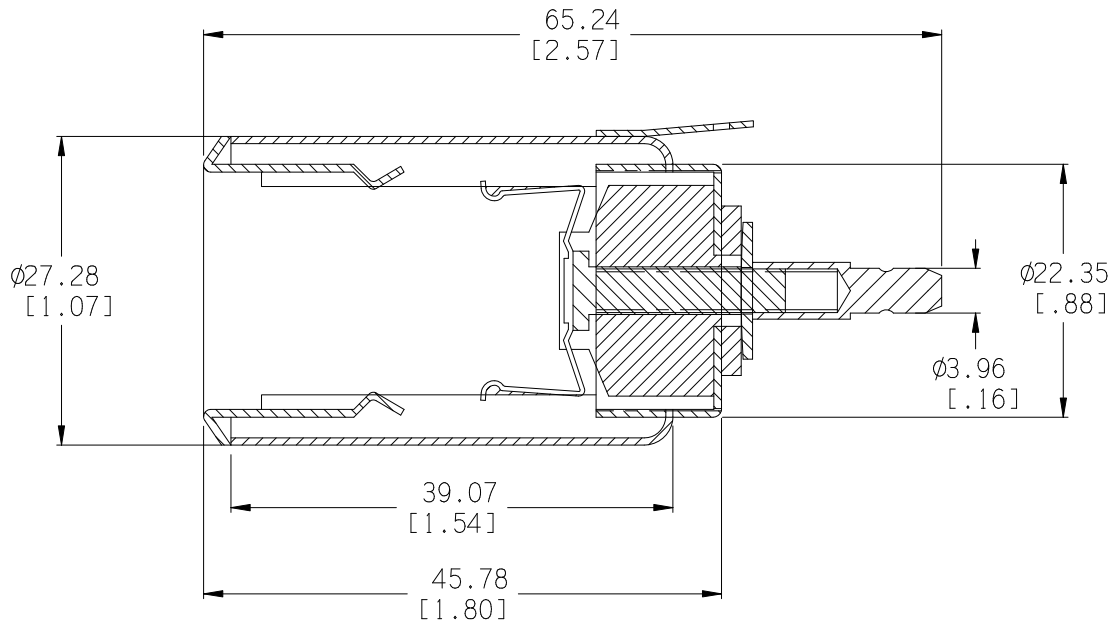



Date	SYM	REVISION RECORD	AUTH	DR.	CK.
02/15/03	A	Added panel cut-out information	T.B.	B.S.	
04/03/04	B	Added Electrical Rating	T.B.	B.S.	
5/20/06	C	Added "ROHS COMPLIANT"	T.B.	B.S.	
08/28/14	D	UPDATED TO ROHS 2 COMPLIANT	T.B.	B.S.	



PANEL CUT-OUT



ELECTRICAL RATING: 12V, 10AMP  
ROHS 2 COMPLIANT

Tolerance (Inches)	 Memory Protection Devices, Inc. 200 Broad Hollow Road, Farmingdale, New York 11735		
Decimal $\pm .5$ (.020)		Scale	Drawn By B.S. Approved By T.B.
Fractional $\pm .8$ (.030)	Title CIGARETTE SOCKET, METAL BAKELITE INSULATOR, INSERT LOCK TYPE		
Angular $\pm 3^\circ$	Date 08/28/14	Drawing Number ZA2050	