

**MICRO SWITCH**  
a Honeywell Division

FED. MFG. CODE 91 929

SWITCH - BASIC

CATALOG LISTING  
3BV12B014

LP-R1657

CATALOG LISTING  
3BV12B014  
PAGE 1 OF 1

ISSUE  
1

REVISIONS

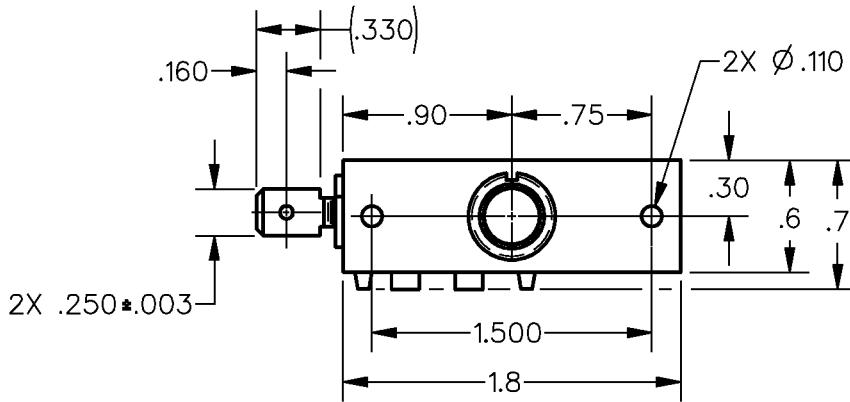
DDM/CAD  
DRAWN  
K D R 26 APR 97

REPLACES X102247-BV  
PR-22774  
RELEASE NO.

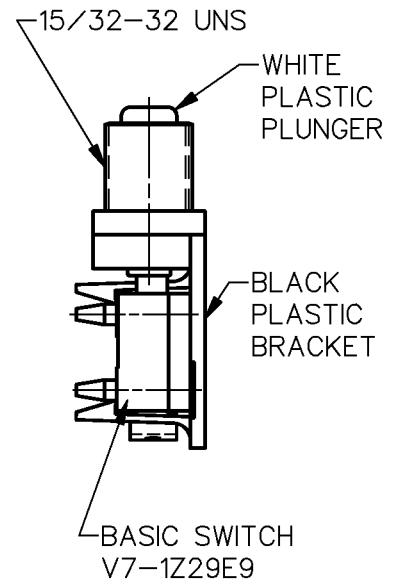
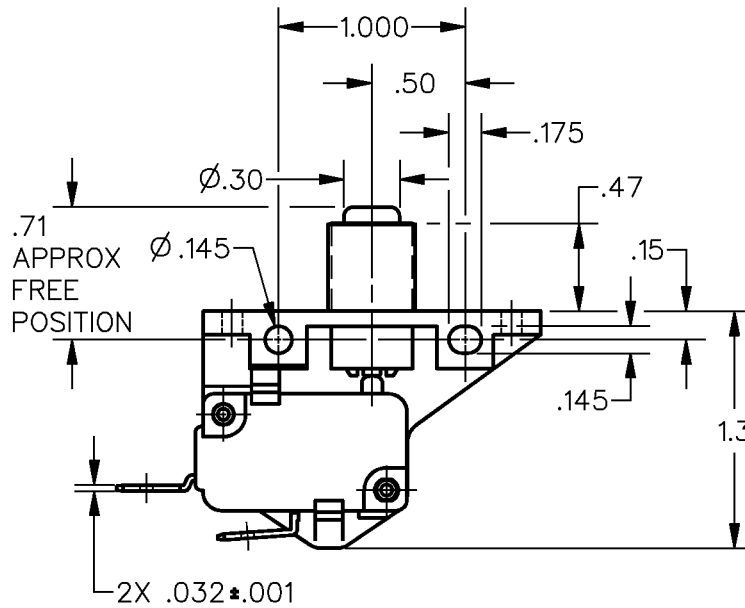
CHECK

CHECK

CHECK



2X .250 ±.003



NOTE  
1 - MARK BASIC SWITCH WITH V7-1Z29E9

ANSI Y14.5M-1982 APPLIES

THIS DRAWING COVERS A PROPRIETARY ITEM AND IS THE PROPERTY OF MICRO SWITCH, A DIVISION OF HONEYWELL. THIS DRAWING IS NOT TO BE COPIED OR USED WITHOUT THE APPROVAL OF MICRO SWITCH.

THIRD ANGLE PROJECTION

CHARACTERISTICS

OPERATING FORCE --- 270 GRAMS MAX

PRETRAVEL --- .052 MAX

ELECTRICAL DATA

CONTACT ARRANGEMENT  
S P N O

25A, 277 VAC  
1HP, 125 VAC  
2HP, 250 VAC

SCALE FULL

DO NOT SCALE PRINT

UNLESS OTHERWISE SPECIFIED TOLERANCES ARE

ONE PLACE (.0) ±.030

TWO PLACE (.00) ±.015

THREE PLACE (.000) ±.005

ANGLES ±

WEIGHT

