

## DESCRIPTION

The MPQ6411 is a windowed watchdog timer. It is used to reset and monitor the microcontroller. In normal operation, the MCU sends a trigger signal to the MPQ6411 in a defined time window cyclically. A missing or fault trigger signal causes the watchdog to reset the MCU.

The MPQ6411 provides a reset signal (low-level voltage) to the MCU during power-up or under voltage. Its power supply (VCC) has 5V and 3.3V options.

By setting MODE to high or low, the watchdog operates in long window mode or short window mode; the window is programmable.

The MPQ6411 is available in SOIC8 package.

## FEATURES

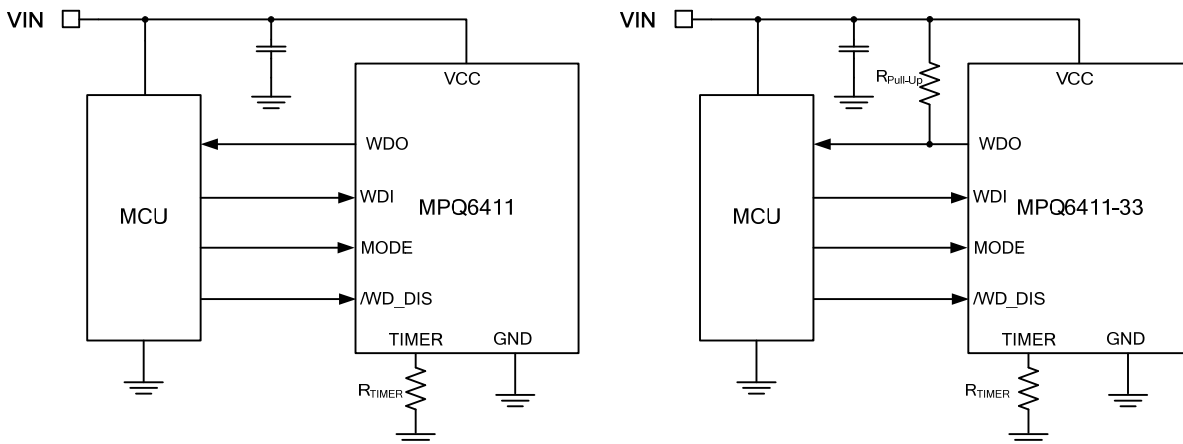
- Windowed Watchdog
- Power-On Reset during Power-Up and Under Voltage
- Programmable Short Window Mode or Long Window Mode
- Watchdog Disable Function
- Low Shutdown Mode Current
- SOIC8 Package
- Available in AEC-Q100 Grade 1

## APPLICATIONS

- Automotive Systems
- Industrial Systems

All MPS parts are lead-free, halogen-free, and adhere to the RoHS directive. For MPS green status, please visit the MPS website under Quality Assurance.  
 "MPS" and "The Future of Analog IC Technology" are registered trademarks of Monolithic Power Systems, Inc.

## TYPICAL APPLICATION



**ORDERING INFORMATION**

<b>Part Number*</b>	<b>Package</b>	<b>Top Marking</b>
MPQ6411GS	SOIC-8	<i>See Below</i>
MPQ6411GS-AEC1	SOIC-8	
MPQ6411GS-33**	SOIC-8	
MPQ6411GS-33-AEC1**	SOIC-8	

\* For Tape & Reel, add suffix -Z (e.g. MPQ6411GS-Z);

\*\* Pre-release

**TOP MARKING**

---

**MP6411****LLLLLLLLL****MPSYWW**

MP6411: Product code of MPQ6411GS and MPQ6411GS-AEC1

LLLLLLLLL: Lot number

MPS: MPS prefix

Y: Year code

WW: Week code

**TOP MARKING**

---

**M6411-33****LLLLLLLLL****MPSYWW**

M6411-33: Product code of MPQ6411GS-33 and MPQ6411GS-33-AEC1

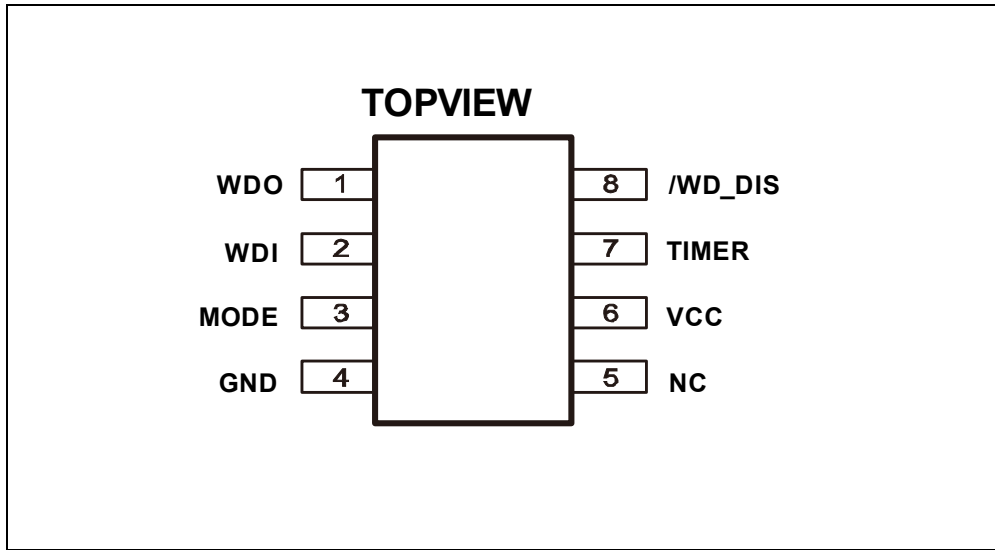
LLLLLLLLL: Lot number

MPS: MPS prefix

Y: Year code

WW: Week code

**PACKAGE REFERENCE**



**ABSOLUTE MAXIMUM RATINGS <sup>(1)</sup>**

All pins .....	-0.3V to +6V
Continuous power dissipation (T <sub>A</sub> = +25°C) <sup>(2)</sup>	
SOIC8.....	1.3W
Junction temperature.....	150°C
Lead temperature .....	260°C
Storage temperature.....	-65°C to +150°C

**Recommended Operating Conditions**

Supply voltage (VCC)	
MPQ6411.....	5V
MPQ6411-33.....	3.3V
Operating junction temp. (T <sub>J</sub> ).....	-40°C to 125°C

<b>Thermal Resistance <sup>(3)</sup></b>	<b>θ<sub>JA</sub></b>	<b>θ<sub>JC</sub></b>
SOIC-8.....	96.....	45...°C/W

**Notes:**

- 1) Exceeding these ratings may damage the device.
- 2) The maximum allowable power dissipation is a function of the maximum junction temperature T<sub>J</sub> (MAX), the junction-to-ambient thermal resistance θ<sub>JA</sub>, and the ambient temperature T<sub>A</sub>. The maximum allowable continuous power dissipation at any ambient temperature is calculated by P<sub>D</sub> (MAX) = (T<sub>J</sub> (MAX)-T<sub>A</sub>)/θ<sub>JA</sub>. Exceeding the maximum allowable power dissipation will cause an excessive die temperature, causing the regulator to go into thermal shutdown. Internal thermal shutdown circuitry protects the device from permanent damage.
- 3) Measured on JESD51-7, 4-layer PCB.

**ELECTRICAL CHARACTERISTICS**

VCC = 5V for MPQ6411, VCC = 3.3V for MPQ6411-33, T<sub>J</sub> = - 40°C to +125°C, unless otherwise noted.

Parameter	Symbol	Condition	Min	Typ	Max	Units
<b>Power Supply</b>						
Timer voltage		R <sub>TIMER</sub> = 51k		0.3		V
Quiescent current	I <sub>Q</sub>	MPQ6411, R <sub>TIMER</sub> = 100k		16	19	μA
		MPQ6411-33, R <sub>TIMER</sub> = 100k		10	14	
		MPQ6411, R <sub>TIMER</sub> = 51k		25	32	μA
		MPQ6411-33, R <sub>TIMER</sub> = 51k		14	18	
Power on reset threshold	V <sub>POR-HIGH</sub>	MPQ6411, WDO goes high with rising VCC	4.4	4.6	4.8	V
		MPQ6411-33, WDO goes high with rising VCC	2.9	3	3.1	
	V <sub>POR-LOW</sub>	MPQ6411, WDO goes low with falling VCC	4.3	4.5	4.7	V
		MPQ6411-33, WDO goes low with falling VCC	2.8	2.9	3	
<b>Timing</b>						
Single period	T	R <sub>TIMER</sub> = 51k	-10%	880	+10%	μs
Power on delay <sup>(4)</sup>	t <sub>0</sub>	R <sub>TIMER</sub> = 51k		10		cycle
Sync signal monitoring time <sup>(4)</sup>	t <sub>1</sub>	R <sub>TIMER</sub> = 51k		450		cycle
Watchdog window close time (short mode) <sup>(4)</sup>	t <sub>2</sub>	R <sub>TIMER</sub> = 51k, MODE = low		15		cycle
Watchdog window open time (short mode) <sup>(4)</sup>	t <sub>3</sub>	R <sub>TIMER</sub> = 51k, MODE = low		10		cycle
Watchdog window close time (long mode) <sup>(4)</sup>	t <sub>4</sub>	R <sub>TIMER</sub> = 51k, MODE = high		1500		cycle
Watchdog window open time (long mode) <sup>(4)</sup>	t <sub>5</sub>	R <sub>TIMER</sub> = 51k, MODE = high		1000		cycle
WDO reset pulse width <sup>(4)</sup>	t <sub>6</sub>	R <sub>TIMER</sub> = 51k		4		cycle
WDI_OK pulse width			10		5000	μs
<b>Input and Output</b>						
WDI logic high		MPQ6411	3.2			V
		MPQ6411-33	2.1			
WDI logic low		MPQ6411			0.8	V
		MPQ6411-33			0.6	
MODE logic high		MPQ6411	3.2			V
		MPQ6411-33	2.1			
MODE logic low		MPQ6411			0.8	V
		MPQ6411-33			0.6	

**ELECTRICAL CHARACTERISTICS (continued)**

VCC = 5V for MPQ6411, VCC = 3.3V for MPQ6411-33, T<sub>J</sub> = - 40°C to +125°C, unless otherwise noted.

Parameter	Symbol	Condition	Min	Typ	Max	Units
MODE input Current		MPQ6411, MODE = 5V		0.1	1	μA
		MPQ6411-33, MODE = 3.3V				
		MPQ6411, MODE = 0V		5	8	μA
		MPQ6411-33, MODE = 0V				
/WD_DIS logic high		MPQ6411	3.2			V
		MPQ6411-33	2.1			
/WD_DIS logic low		MPQ6411			0.8	V
		MPQ6411-33			0.6	
/WD_DIS input Current		MPQ6411, WD_DIS = 5V		0.1	1	μA
		MPQ6411-33, WD_DIS = 3.3V				
		MPQ6411, WD_DIS = 0V		5	8	μA
		MPQ6411-33, WD_DIS = 0V				
WDO high		MPQ6411, VCC = 5V, I <sub>WDO</sub> = 1mA	V <sub>CC</sub> -0.2			V
		MPQ6411-33, VCC=3.3V, R <sub>Pull-Up</sub> =100KΩ	3.29			
WDO low		MPQ6411, VCC = 5V, I <sub>WDO</sub> = 1mA			0.2	V
		MPQ6411, VCC = 1V, I <sub>WDO</sub> = 300μA			0.1	
		MPQ6411-33, Sink 1mA Current			0.1	

**Notes:**

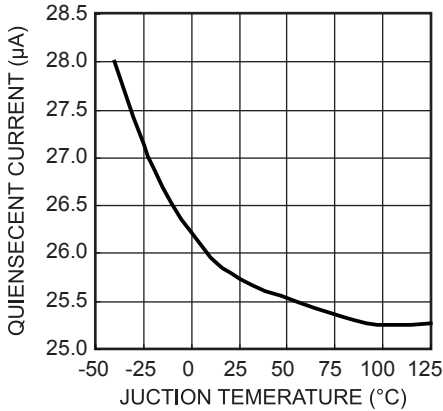
4) Derived from bench characterization. Not tested in production.

## TYPICAL CHARACTERISTICS

VCC=5V for MPQ6411, VCC=3.3V for MPQ6411-33, unless otherwise noted.

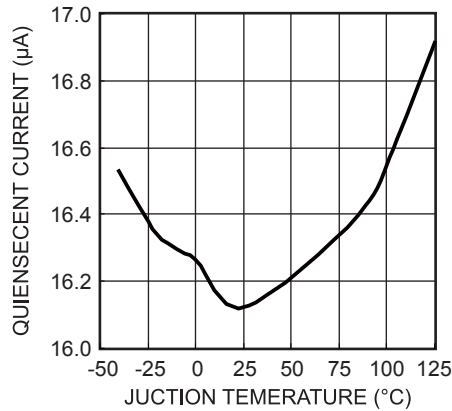
**Quiescent Current vs. Junction Temperature**

MPQ6411, R<sub>TIMER</sub>=51k



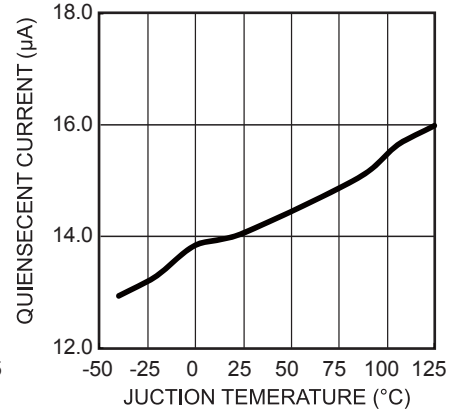
**Quiescent Current vs. Junction Temperature**

MPQ6411, R<sub>TIMER</sub>=100k



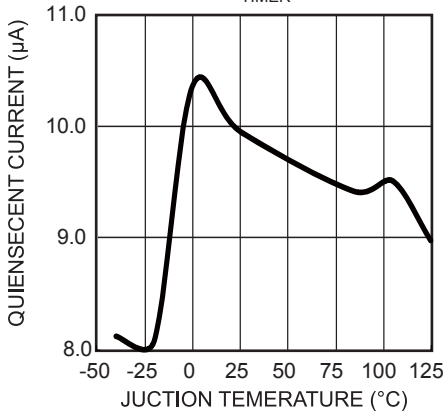
**Quiescent Current vs. Junction Temperature**

MPQ6411-33, R<sub>TIMER</sub>=51k



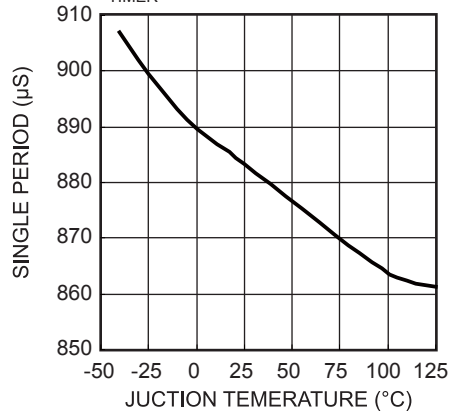
**Quiescent Current vs. Junction Temperature**

MPQ6411-33, R<sub>TIMER</sub>=100k



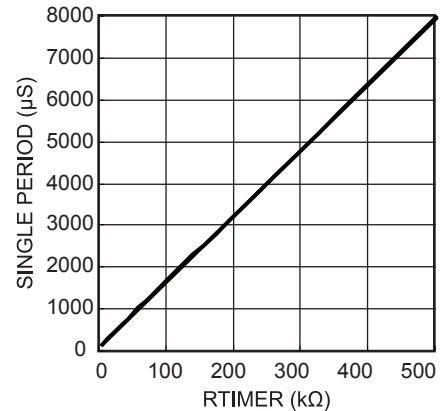
**Single Period vs. Junction Temperature**

R<sub>TIMER</sub>=51k



**Single Period vs. R<sub>TIMER</sub>**

T<sub>A</sub>=25°C



**PIN FUNCTION**

Pin #	Name	Description
1	WDO	Watchdog output. WDO outputs a reset signal to the MCU. MPQ6411 WDO is the output of a inverter, it is not must to connect WDO to VCC or another voltage source through a resistor. MPQ6411-33 WDO is the open drain of a MOSFET and should be connected to VCC or another voltage source through a resistor (e.g.100kΩ).
2	WDI	Watchdog input. WDI receives the trigger signal from the MCU.
3	MODE	Mode switching pin. Pull MODE high to make the watchdog operate in long window mode; pull MODE low to make it work in short window mode. MODE has a weak internal pull-up.
4	GND	Ground.
5	NC	Not connected.
6	VCC	Power input.
7	TIMER	Watchdog timer pin. TIMER sets the time-out with an external resistor
8	/WD_DIS	Watchdog disable pin. Pull /WD_DIS low to disable the watchdog; pull /WD_DIS high to enable the watchdog. It has a weak internal pull-up.

FUNCTIONAL BLOCK DIAGRAM

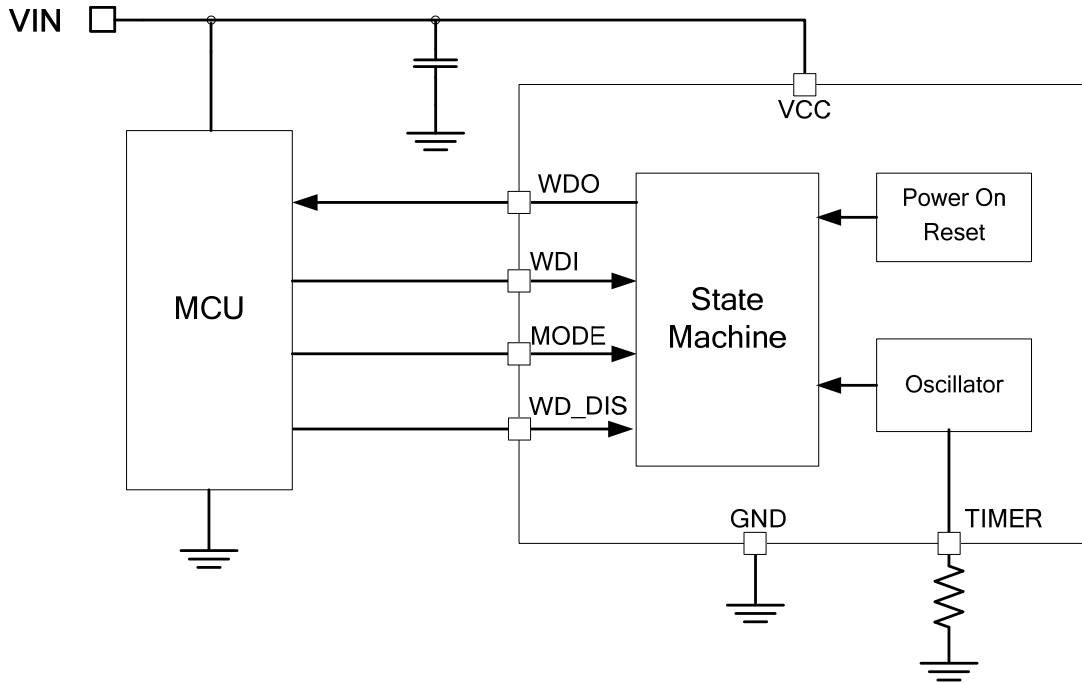
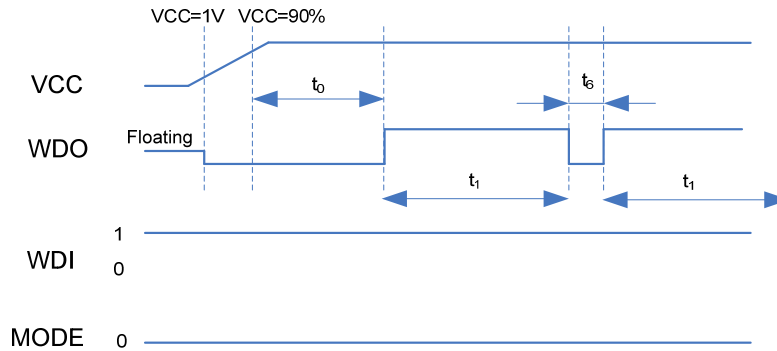


Figure 1: Functional Block Diagram

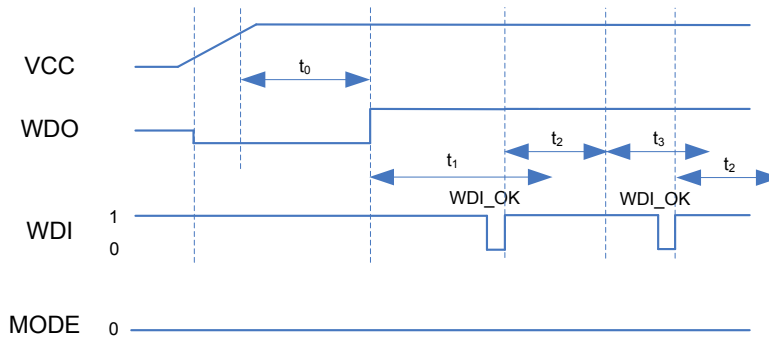


## TIMING DIAGRAM

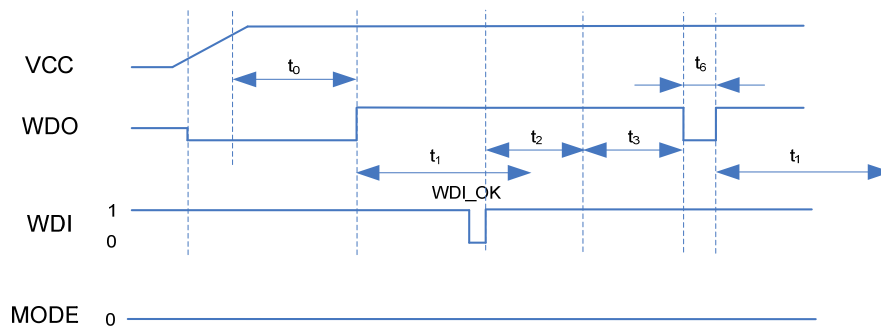
### Power-on reset and no sync signal



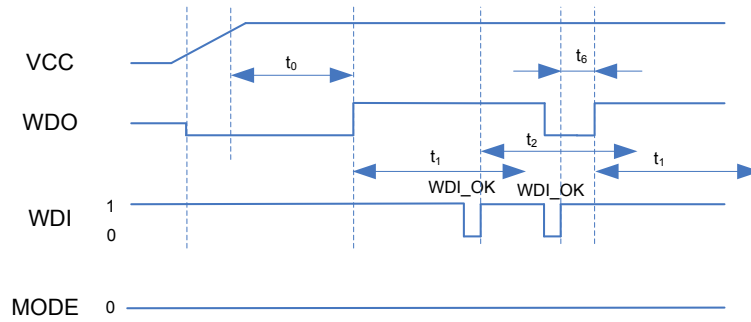
### Synchronized by WDI and triggered in open window (MODE=0, short window mode)



### Synchronized by WDI and no trigger signal (MODE=0, short window mode)

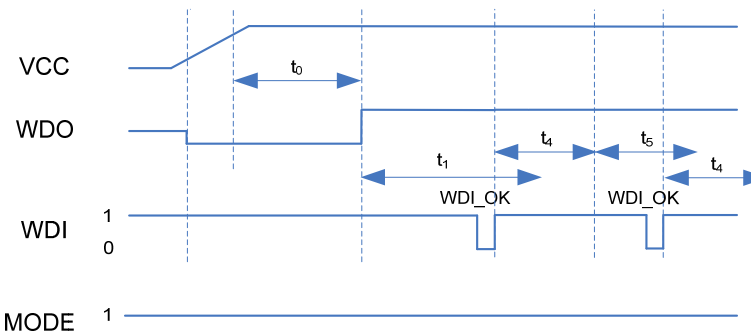


Synchronized by WDI and triggered in closed window (MODE=0, short window mode)

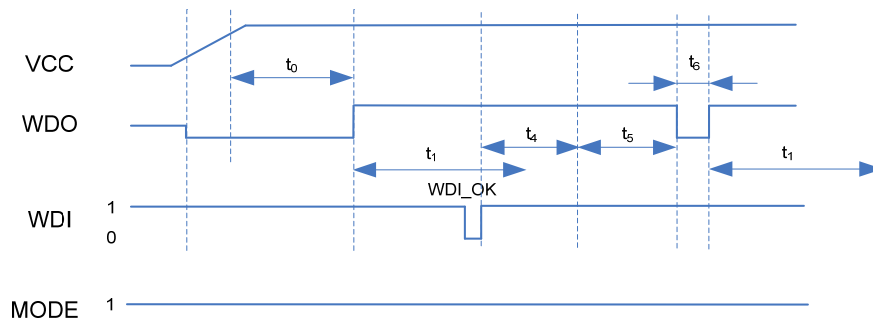


Note: When the WDI\_OK rising edge that comes at WDO is low, the  $t_6$  timer will be reset. Therefore, in the situation above, the WDO reset signal maintains a  $t_6 + \text{WDI\_OK}$  time.

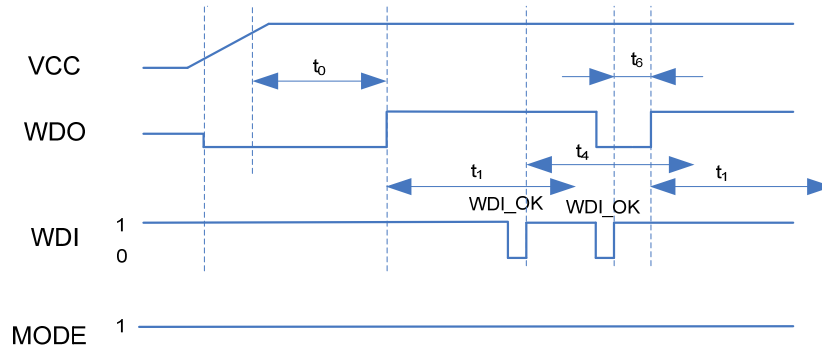
Synchronized by WDI and triggered in open window (MODE=1, long window mode)



Synchronized by WDI and no trigger signal (MODE=1, long window mode)

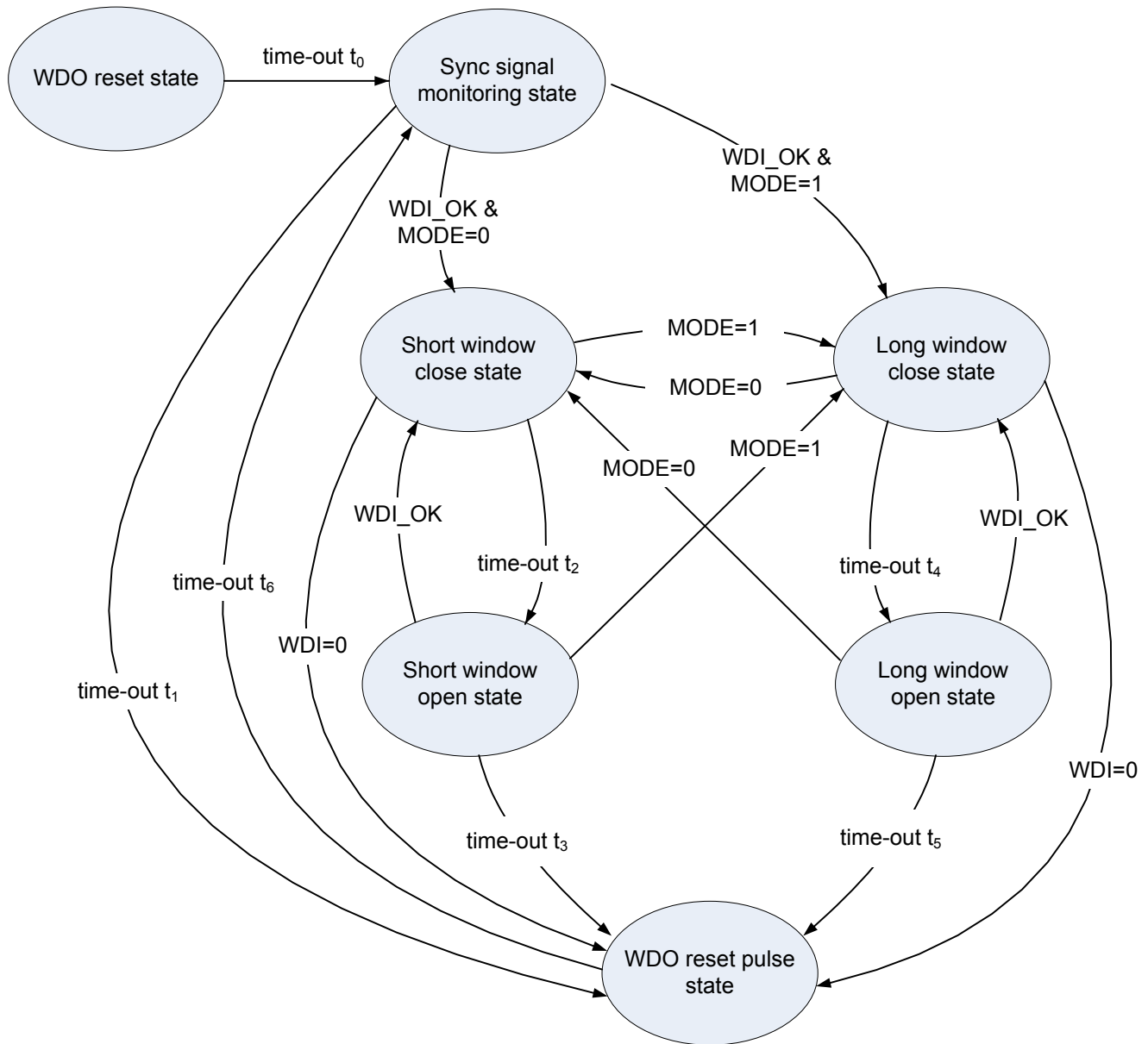


Synchronized by WDI and triggered in closed window (MODE=1, long window mode)



Note: When the WDI\_OK rising edge that comes at WDO is low, the  $t_6$  timer will be reset. Therefore, in the situation above, the WDO reset signal maintains a  $t_6 + \text{WDI\_OK}$  time.

STATE DIAGRAM



**Note:** The state diagram above does not include if a WDI error occurs.

## OPERATION

### Supply Voltage

VCC= 5V±10% is recommended for MPQ6411 /MPQ6411-AEC1 normal operation; while VCC= 3.3V±10% is recommended for MPQ6411-33/MPQ6411-33-AEC1 normal operation. WDO is pulled low when VCC rises to 1V or above. After VCC rises to 90% (typically), WDO will remain at a low level for  $t_0$  to reset the MCU.

### TIMER

Period T (μs):

$$T(\mu\text{s}) = 15.75 \times R_{\text{TIMER}}(\text{k}\Omega) + 73.5$$

$R_{\text{TIMER}}$  (kΩ):

$$R_{\text{TIMER}}(\text{k}\Omega) = 0.063 \times T(\mu\text{s}) - 4.67$$

For example:  $R_{\text{TIMER}}=51\text{k}\Omega$ ,  $T\approx 0.88\text{ms}$

### Monitor MCU Synchronization Signal

When the watchdog is in a “sync signal monitoring state,” the following will occur:

- ◆ If the watchdog IC receives a WDI\_OK signal from the MCU within  $t_1$  (WDI remains low for 10μs to 5ms), the timer will be reset, and the watchdog works in normal operation.
- ◆ If the watchdog does not receive the WDI\_OK signal from the MCU during  $t_1$ , it will generate a reset signal and go into “sync signal monitor state” again.

### Short Window Mode

If the MCU and watchdog are synchronized correctly and MODE is low, the watchdog will work in short window mode:

- ◆ If WDI\_OK is received in a window close state ( $t_2$ ), the watchdog outputs a reset signal and goes into a sync signal monitoring state.
- ◆ If WDI\_OK is received in a window open state ( $t_3$ ), the watchdog goes into a window

close state. The MCU works in normal operation in this situation.

- ◆ If no WDI\_OK signal is received in  $t_2+t_3$ , the watchdog outputs a reset signal and goes into a sync signal monitoring state.
- ◆ If MODE is pulled high during short window mode, the watchdog will go into long window mode.

### Long Window Mode

If the MCU and watchdog are synchronized correctly and MODE is high, the watchdog will operate in long window mode, and the following will occur:

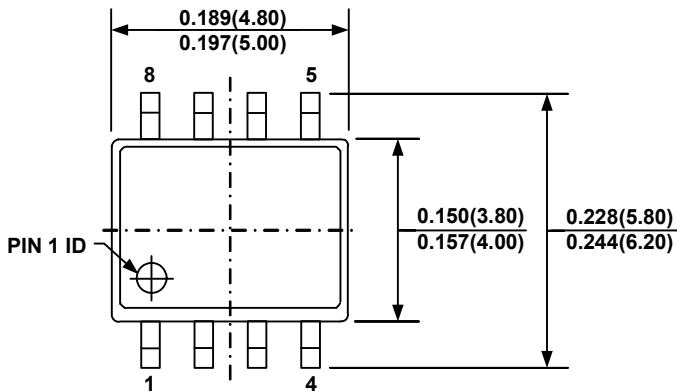
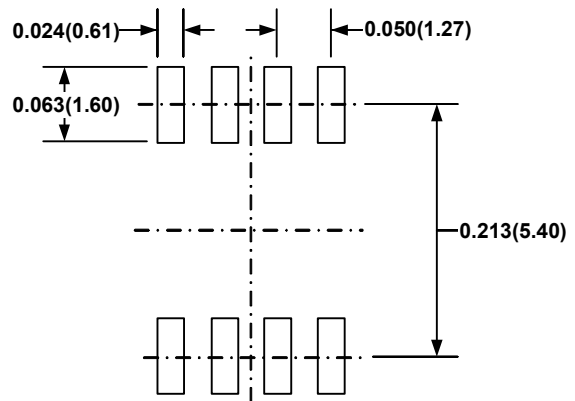
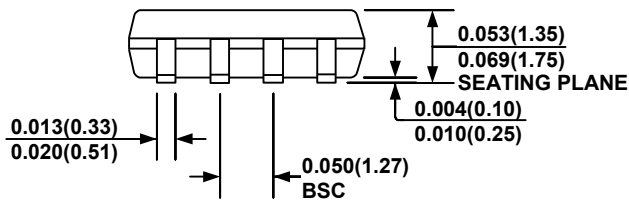
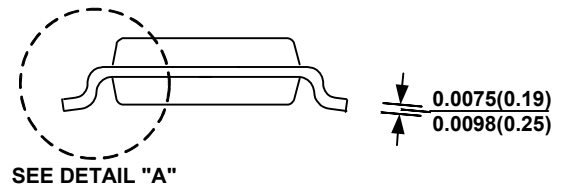
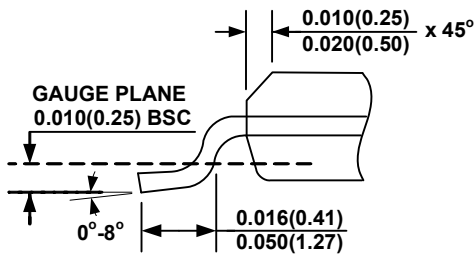
- ◆ If WDI\_OK is received in a window close state ( $t_4$ ), the watchdog outputs a reset signal and goes into a sync signal monitoring state.
- ◆ If WDI\_OK is received in a window open state ( $t_5$ ), the watchdog goes into a window close state. The MCU works in normal operation in this situation.
- ◆ If no WDI\_OK signal is received in  $t_4+t_5$ , the watchdog outputs a reset signal and goes into a sync signal monitoring state.
- ◆ If MODE is pulled low during a long window mode, the watchdog will go into a short window mode.

### Watchdog Disable

Pull /WD\_DIS low to disable the watchdog; pull it high to enable the watchdog. /WD\_DIS has a weak internal pull-up, so the watchdog is enabled if /WD\_DIS is left open.

### WDI Error

If a WDI signal remains at a low level for longer than the maximum WDI\_OK pulse width, it is regarded as an error. When this error occurs, WDO is pulled down until WDI returns to a high level.

**PACKAGE INFORMATION**
**SOIC-8**

**TOP VIEW**

**RECOMMENDED LAND PATTERN**

**FRONT VIEW**

**SIDE VIEW**

**DETAIL "A"**
**NOTE:**

- 1) CONTROL DIMENSION IS IN INCHES. DIMENSION IN BRACKET IS IN MILLIMETERS.
- 2) PACKAGE LENGTH DOES NOT INCLUDE MOLD FLASH, PROTRUSIONS OR GATE BURRS.
- 3) PACKAGE WIDTH DOES NOT INCLUDE INTERLEAD FLASH OR PROTRUSIONS.
- 4) LEAD COPLANARITY (BOTTOM OF LEADS AFTER FORMING) SHALL BE 0.004" INCHES MAX.
- 5) DRAWING CONFORMS TO JEDEC MS-012, VARIATION AA.
- 6) DRAWING IS NOT TO SCALE.

**NOTICE:** The information in this document is subject to change without notice. Users should warrant and guarantee that third party Intellectual Property rights are not infringed upon when integrating MPS products into any application. MPS will not assume any legal responsibility for any said applications.