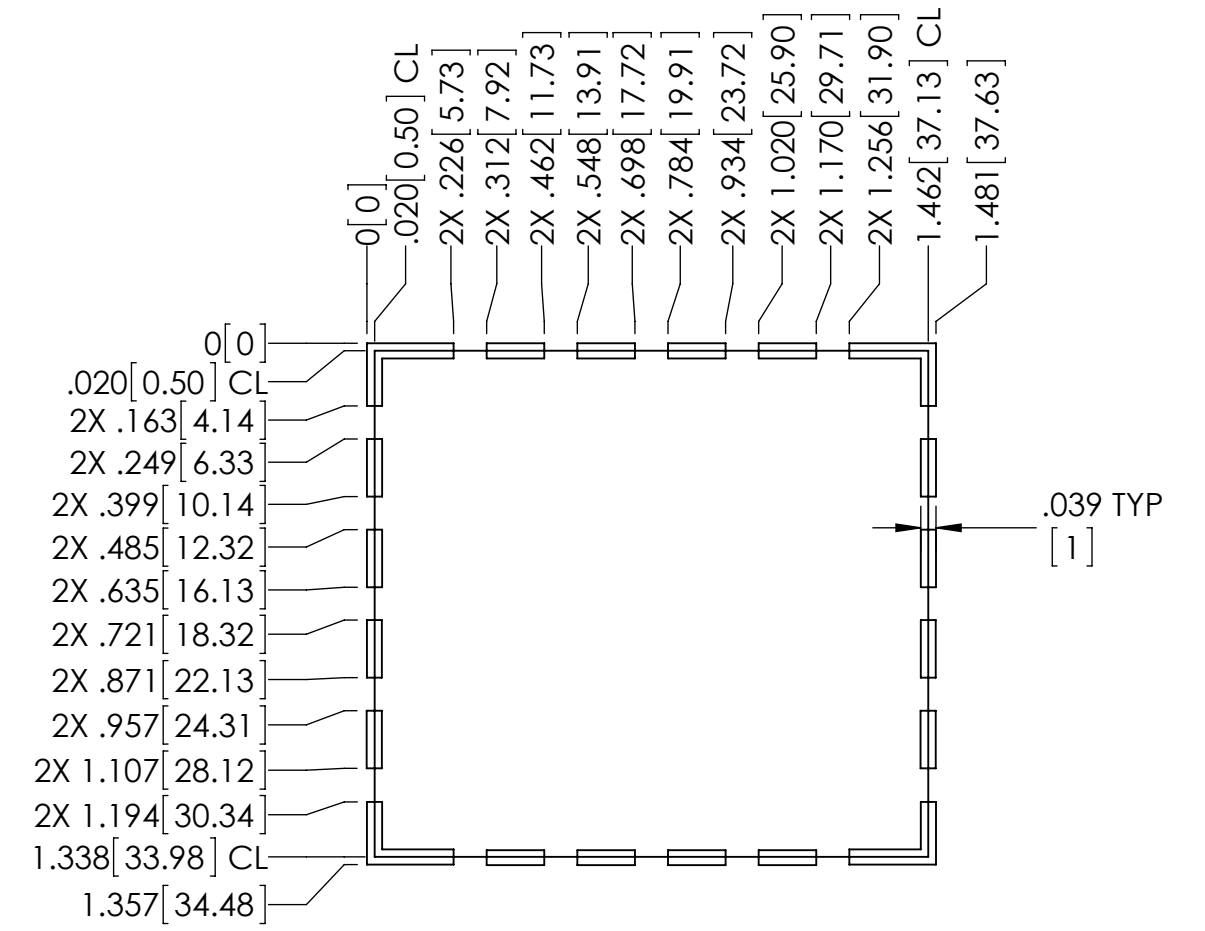
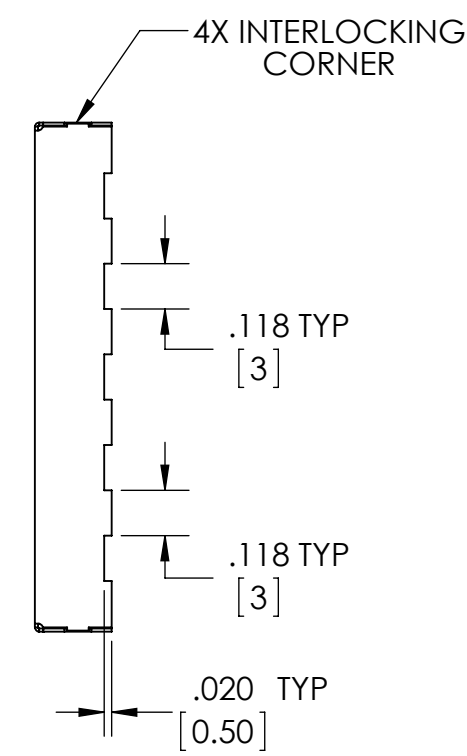
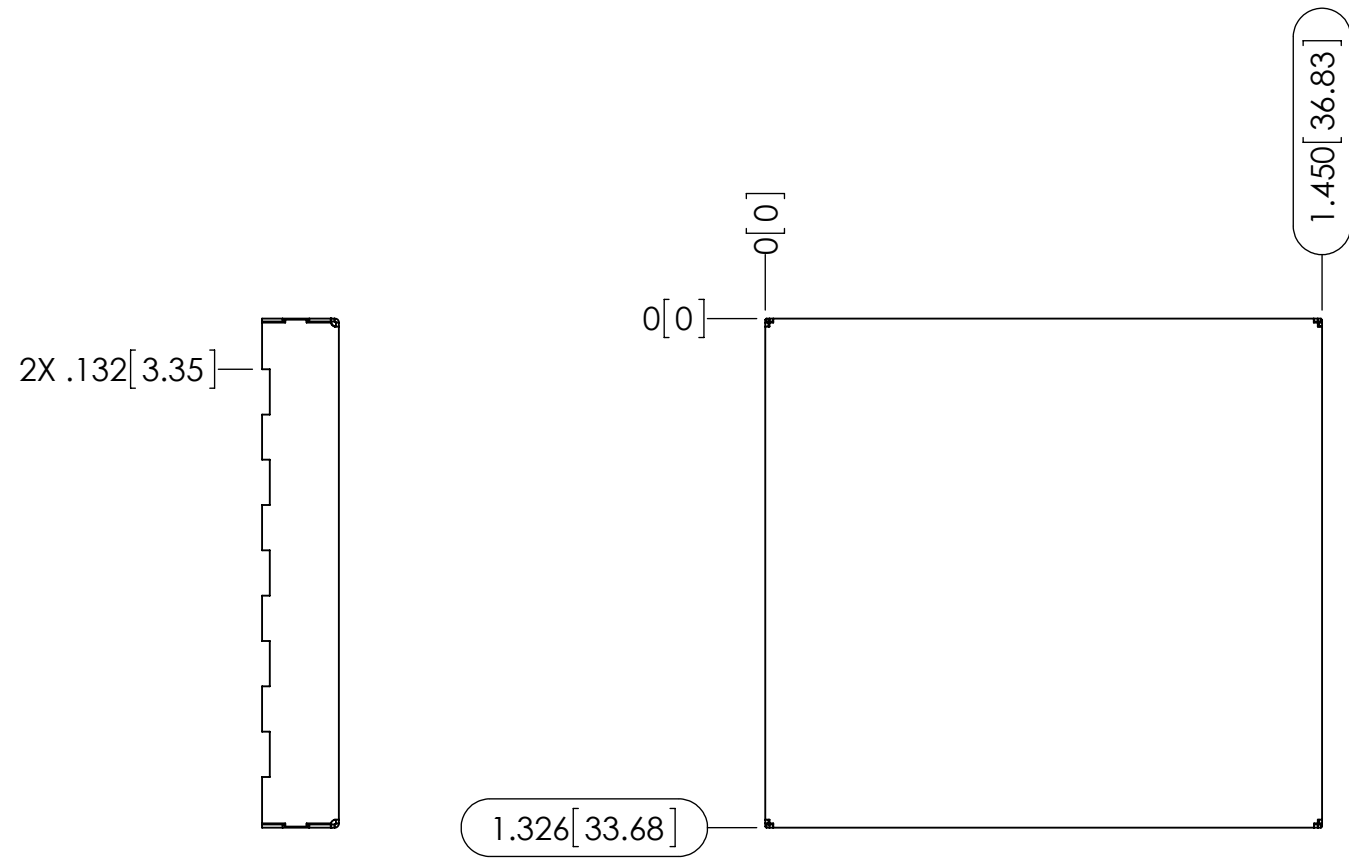
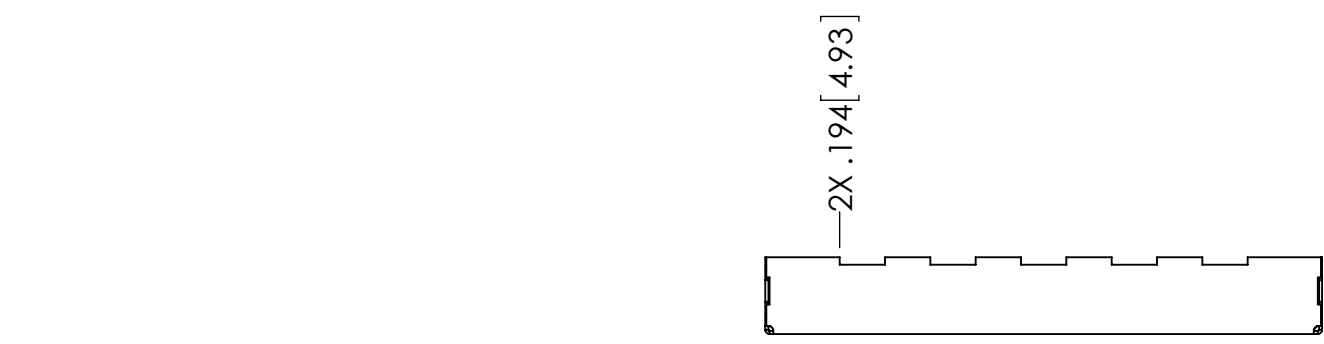
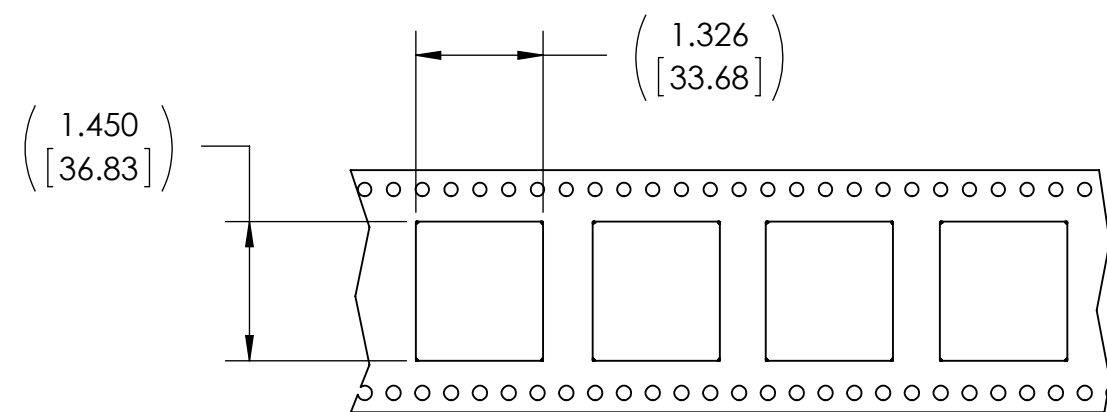
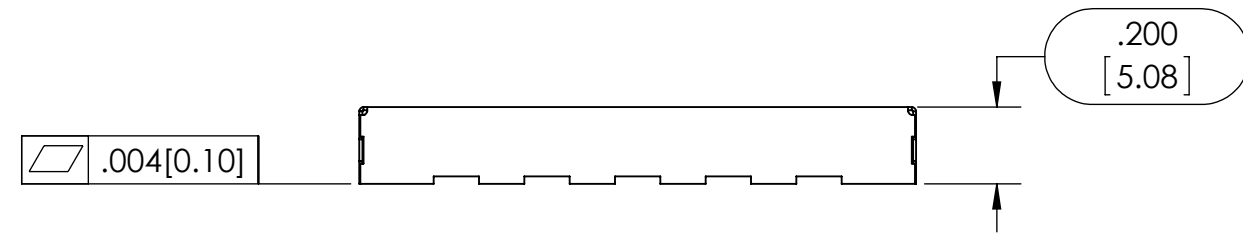


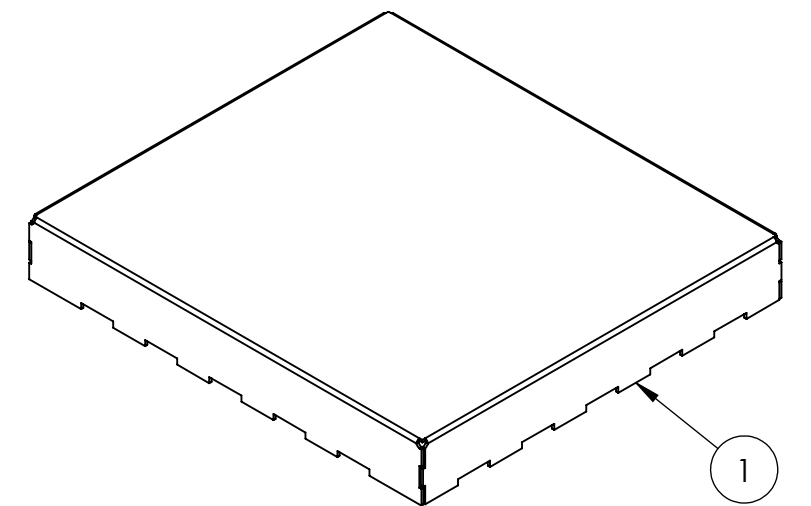
NOTES:
1. DIMENSIONS IN [] ARE IN MILLIMETERS



TRACE PATTERN



CARRIER TAPE



| CARRIER TAPE SPECIFICATIONS | | | | | | |
|-----------------------------|------------------|-------------------------------|----------------|--------------------|--------------------|----------------|
| PART NUMBER | DESCRIPTION | OVERALL DIMENSION | OVERALL HEIGHT | CARRIER TAPE WIDTH | CARRIER TAPE PITCH | PARTS PER REEL |
| SMS-306 | ONE PIECE SHIELD | 1.450 x 1.326 [36.83 x 33.68] | .200 [5.080] | 56 mm | 40 mm | 300 |

THIS DOCUMENT CONTAINS PROPRIETARY INFORMATION OWNED BY LEADERTECH, OR DEVELOPED AT ITS OWN PRIVATE EXPENSE, AND MAY NOT BE USED, DUPLICATED OR DISCLOSED IN WHOLE OR IN PART FOR ANY PURPOSE INCLUDING DESIGN, MANUFACTURE OR PROCUREMENT WITHOUT THE WRITTEN PERMISSION OF LEADERTECH. LEADERTECH DOES NOT GUARANTEE OR WARRANTY THE PERFORMANCE CHARACTERISTICS.

| ITEM NO. | PART NUMBER | DESCRIPTION | QTY. |
|--|-------------|--|---|
| 1 | SMS-306 | ONE PIECE SHIELD | 1 |
| UNLESS OTHERWISE SPECIFIED: - ALL DIMENSIONS ARE IN INCHES - PART SHALL BE FREE OF BURRS AND SHARP EDGES - ALL DIMENSIONS SHOWN APPLY BEFORE PLATINGS AND COATINGS - ROHS COMPLIANT PER EU DIRECTIVE 2011/65/EU - POI = POINT OF INTERSECTION | | THIRD ANGLE PROJECTION | |
| .XXX +/- .005 .XX +/- .010 .X +/- .020 | | ANGLES +/- 2° | TITLE: SURFACE MOUNT SHIELD ONE PIECE |
| DRAWN BY: ACS | 2015-04-14 | APPROVED BY: | SIZE: C DWG. NO.: SMS-306 REV: A |
| FINISH: MATTE | | MATERIAL: .008" [0.20] - PRE TIN STEEL | SCALE: 2:1 CAGE CODE: 4J674 SHEET: 1 OF 1 |