

MATERIAL NUMBER	OLD PART NUMBER	FINISH LENGTH
1300660256	CR3100A30M005	1.64' [0.5M]
1300660126	CR3100A30M010	3.28' [1.0M]
1300660019	CR3100A30M020	6.56' [2.0M]

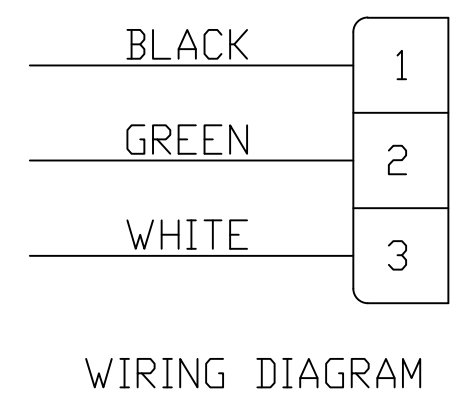
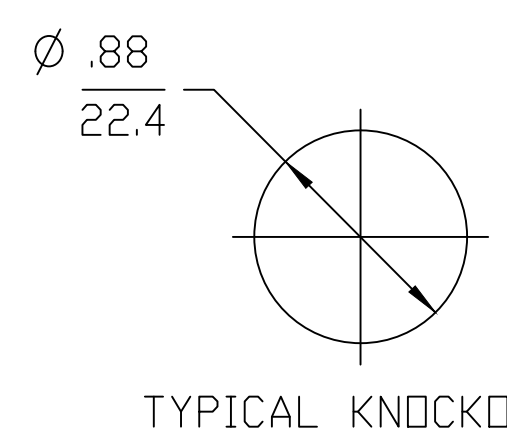
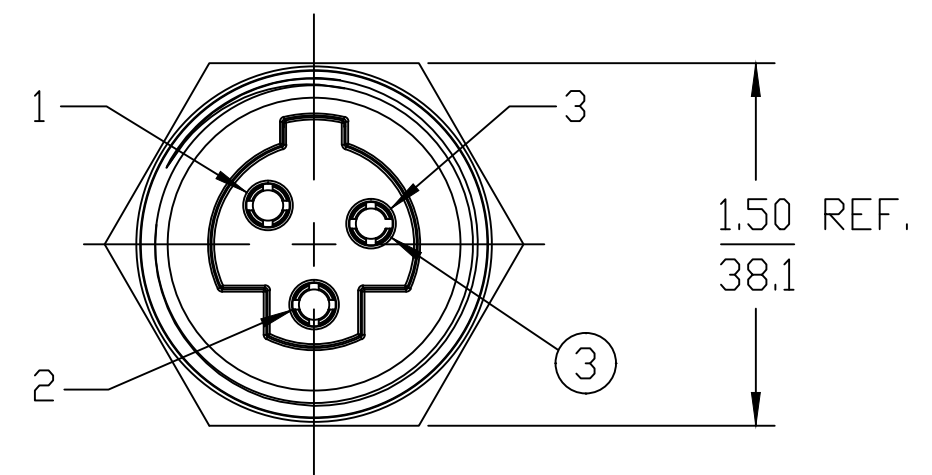
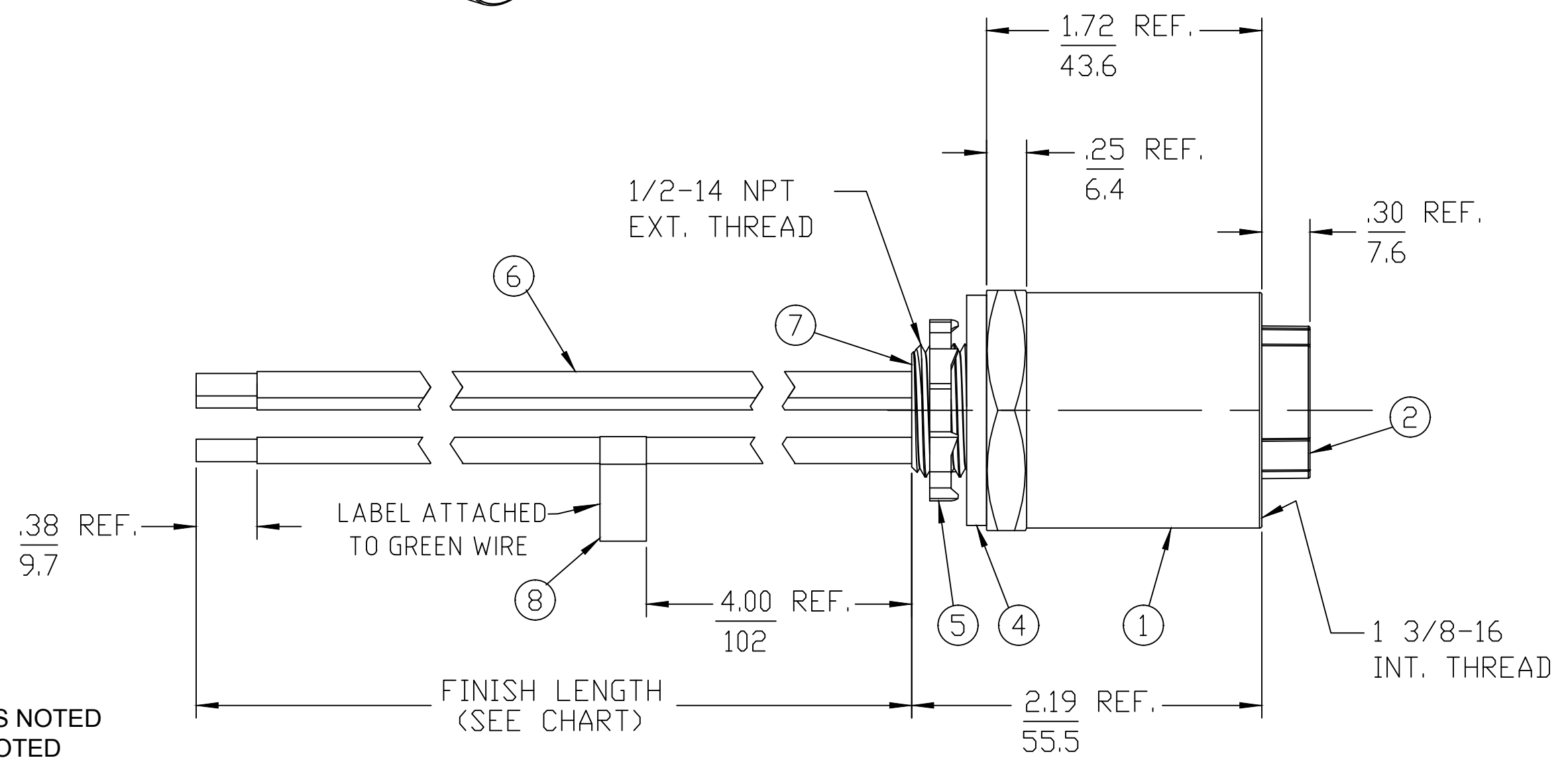
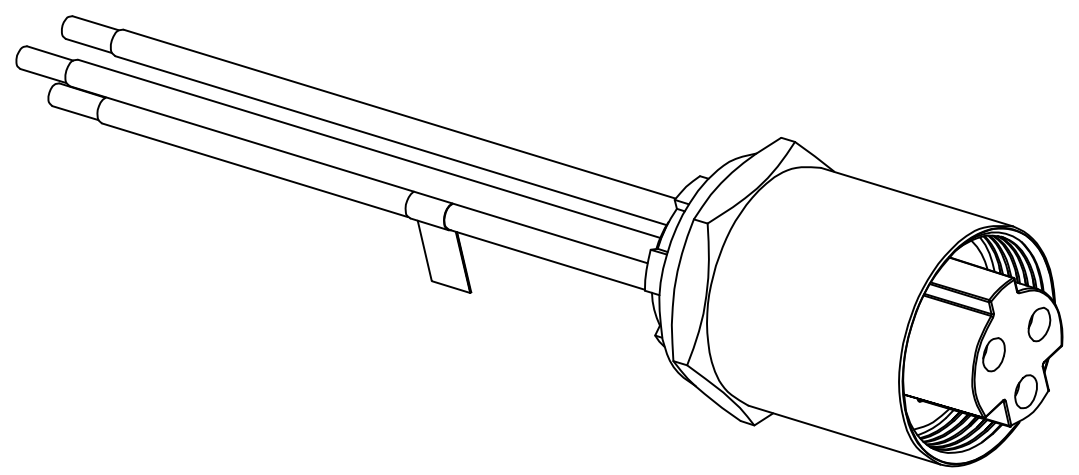
PART NUMBER LEGEND

CR3100A30M005

LENGTH
M005 = 0.5 METER
M010 = 1 METER
M100 = 10 METER

CABLE LENGTH TOLERANCES

>.3M [1FT]:	+19mm-0 [+0.75in-0]
.3 - .9M [1 - 3FT]:	+44.5mm-0 [+1.75in-0]
.9 - 1.8M [3 - 6FT]:	+55.6mm-0 [+2.19in-0]
1.8 - 3.7M [6 - 12FT]:	+88.9mm-0 [+3.50in-0]
3.7 - 7.3M [12 - 24FT]:	+165.1mm-0 [+6.50in-0]
7.3-14.6M [24 - 48FT]:	+317.5mm-0 [+12.50in-0]
14.6 - 30.5M [48-100FT]:	+622.3mm-0 [+24.50in-0]
OVER 30M [100FT]	+2% OF FINISHED LENGTH



- NOTES:**
1. MATERIAL: AS NOTED
 2. FINISH: AS NOTED
 3. ELECTRICAL:
VOLTAGE: 3P: 630V PER IEC60664
600V PER UL2237
CURRENT: 32A
 4. TEMP RATING: -20°TO +90°C
 5. PROTECTION: IP67 (WHEN MATED)
 6. COUPLING THREAD: 1 3/8-16UN
 7. UL LISTED FILE: E258922
 8. ALL DIMS ARE FOR REFERENCE UNLESS NOTED OTHERWISE

ITEM	QTY.	DESCRIPTION	MATERIAL	FINISH
8	1	FLAG LABEL	VINYL	YELLOW
7	A/R	POTTING	EPOXY	BLACK
6	3	WIRE, 10 AWG UL 1015 (B)	PVC JACKET	SEE WIRING DIAGRAM
5	1	LOCKNUT	STEEL	ZINC PLATED
4	1	GASKET	NEOPRENE	BLACK
3	3	SOCKET CONTACT	COPPER ALLOY	GOLD PLATED
2	1	FEMALE INSERT, 3 POLE	PVC	BLACK
1	1	RECEPTACLE SHELL	ALUMINUM	BLACK ANODIZED

UL 1015 WAS THHN	EC NO: ICG2019-0200	DRWN: JCAPPOZZ 2018/11/20	CH'KD: RSTONE	APPR: BWOODMAN2018/12/18	DESCRIPTION
QUALITY SYMBOL	▽=0	▽=0			

GENERAL TOLERANCES (UNLESS SPECIFIED)		DIMENSION STYLE MM ONLY	
	mm	INCH	
4 PLACES	±---	±---	
3 PLACES	±---	±---	
2 PLACES	±0.05	±---	
1 PLACE	±0.10	±---	
ANGULAR ±.5°			
DRAFT WHERE APPLICABLE MUST REMAIN WITHIN DIMENSIONS			

DRAWN BY		DATE	
JCAPPOZZ		2018/11/20	
CHECKED BY		DATE	
RSTONE			
APPROVED BY		DATE	
BWOODMAN		2018/12/18	
MATERIAL NO.			
SEE P/N CHART			
SIZE		THIS DRAWING CONTAINS INFORMATION THAT IS PROPRIETARY TO MOLEX INCORPORATED AND SHOULD NOT BE USED WITHOUT WRITTEN PERMISSION	
C			

SCALE	DESIGN UNITS	THIRD ANGLE PROJECTION	
4:1	METRIC		
TITLE			
BRAD POWER FEMALE, 1/2" NPT, 3 POLE RECEPTACLE ASSEMBLY			
MOLEX INCORPORATED			SHEET NO.
SD-130066-059			1 OF 1

REF. THIS DRAWING SUPERSEDES COCREATE REV. A