

**FEATURES**

- Rectangular Active Area
- Excellent Stability after EUV Exposure
- Windowless Package for Responsivity to 1 nm
- Ceramic Package

**Electro-Optical Characteristics at 25 °C**

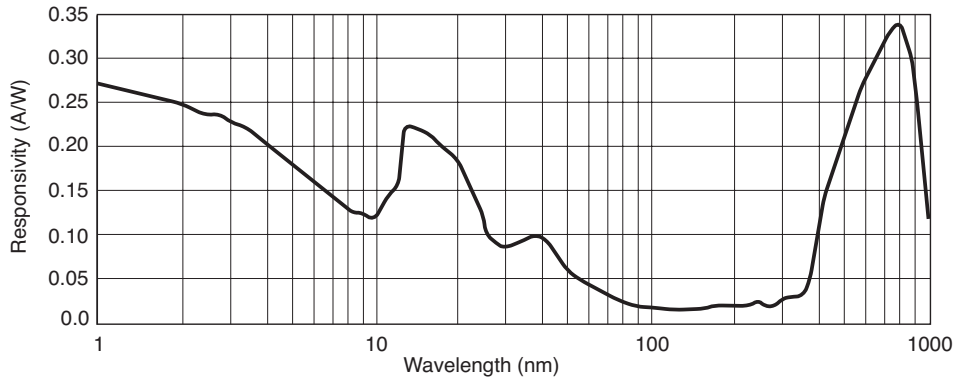
| Parameters                                | Test Conditions                 | Min | Typ | Max | Units           |
|---|---------------------------------|-----|-----|-----|-----------------|
| Active Area                               | 22.05 mm x 15.85 mm             |     | 331 |     | mm <sup>2</sup> |
| Responsivity                              | See attached graph              |     |     |     | A/W             |
| Shunt Resistance                          | @ ± 10 mV                       | 5   |     |     | MOhms           |
| Reverse Breakdown Voltage, V <sub>R</sub> | I <sub>R</sub> = 1 μA           | 20  | 25  |     | Volts           |
| Capacitance, C                            | V <sub>R</sub> = 0 V            |     | 25  | 40  | nF              |
| Response Time, tr                         | RL = 50 Ω, V <sub>R</sub> = 0 V |     | 15  |     | usec            |

**Thermal Parameters**

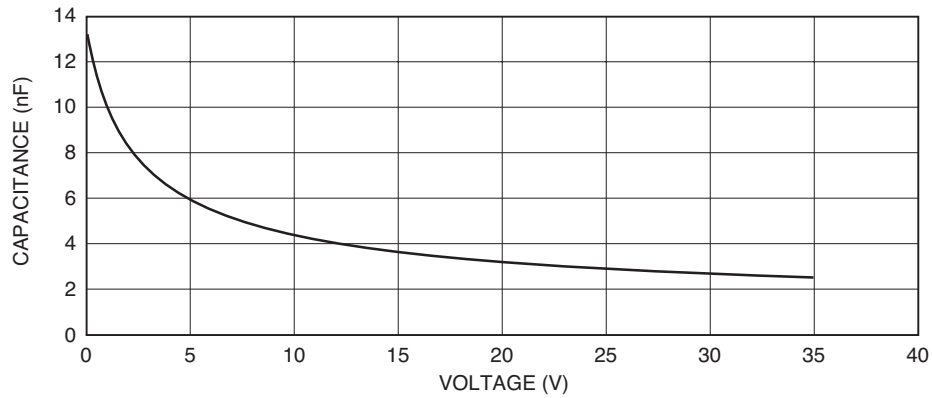
| Storage and Operating Temperature Range | Units          |
|---|----------------|
| Ambient                                 | -10 ° to 40 °C |
| Nitrogen or Vacuum                      | -20 ° to 80 °C |
| Lead Soldering Temperature <sup>1</sup> | N/A            |

<sup>1</sup> Soldering not recommended. Use with AXUV300CTS socket or equivalent.

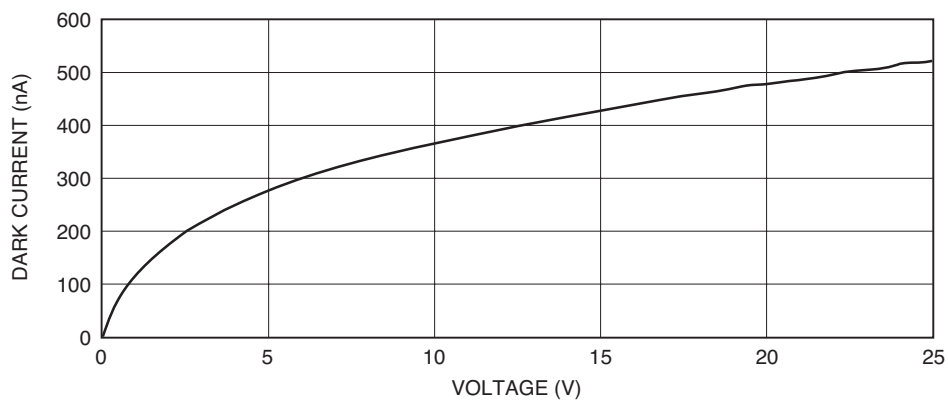
Typical Photon Responsivity



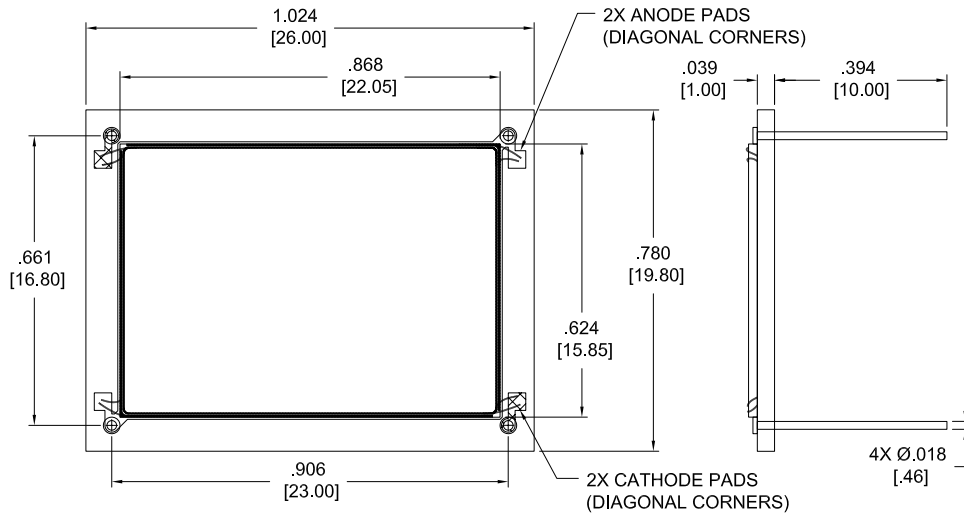
Capacitance vs. Voltage



Dark Current vs. Voltage



Package Information



Dimensions are in inch [metric] units.

Specifications are subject to change without prior notice.